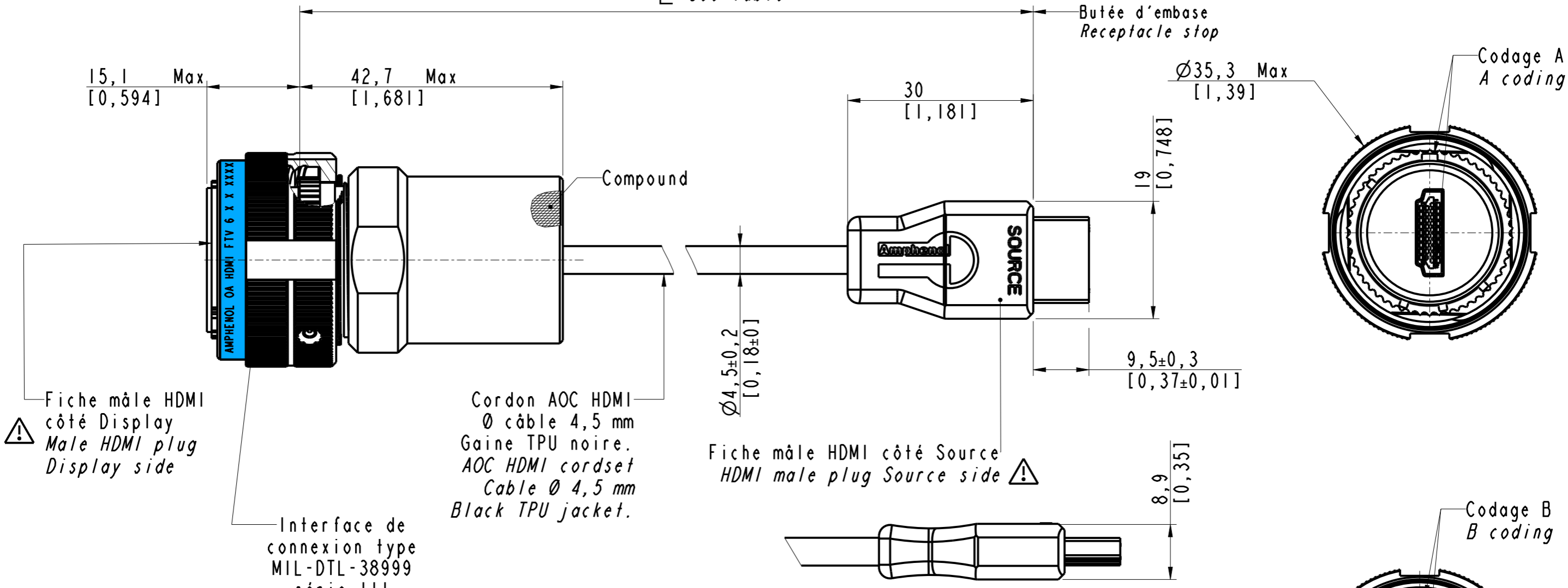


IN THE CONSTANT PURPOSE OF IMPROVING ITS PRODUCTS, Amphenol Socapex RESERVES THE RIGHT TO MODIFY ANY DIMENSION OR CHARACTERISTICS. FM.NPD.0076.THYZE.PUNE rev B

Voir tableau
See table



⚠ Fiche mâle HDMI côté Display
Male HDMI plug Display side

Cordon AOC HDMI
Ø câble 4,5 mm
Gaine TPU noire.
AOC HDMI cordset
Cable Ø 4,5 mm
Black TPU jacket.

⚠ Fiche mâle HDMI côté Source
HDMI male plug Source side ⚠

Interface de connexion type MIL-DTL-38999 série III taille 17
Connection interface type MIL-DTL-38999 series III size 17

Référence Part number: **OA HDMI FTV 6 x x xxxx**

Référence Part number	longueur L (m) length
OA HDMI FTV 6 x x 0050	5
OA HDMI FTV 6 x x 0075	7,5
OA HDMI FTV 6 x x 0100	10
OA HDMI FTV 6 x x 0150	15
OA HDMI FTV 6 x x 0200	20
OA HDMI FTV 6 x x 0250	25
OA HDMI FTV 6 x x 0300	30
OA HDMI FTV 6 x x 0400	40
OA HDMI FTV 6 x x 0500	50
OA HDMI FTV 6 x x 1000	100

- A B** Codages / Codings
- G** alu-protection cadmium vert olive (non RoHS).
alu-olive drab cadmium plating (not RoHS).
- N** alu-protection nickel (RoHS).
alu-nickel plating (RoHS).
- ZN** alu-protection zinc nickel noir (RoHS).
alu-black zinc nickel plating (RoHS).

Longueur de cordon (voir tableau).
Cordset length (see table).



⚠ Vérifier que la configuration soit compatible avec la solution AOC.
Check that the AOC solution is compatible with the configuration.

Dimensions are in mm / [inch]

APPROVAL FOR MANUFACTURING Add missing specifications on the drawing if necessary (specific labellings, tolerances,...)		DRAWN BY : G TUPIN	UPDATED BY : F.ROCH	LAST APPROVED BY : S. FALCOZ
CUSTOMER :	Name : _____ Date : _____	ALL DIMENSIONS ARE IN MM	AMPHENOL SOCAPEX	
PROGRAM :				
CUSTOMER SIGNATURE		SCALE : 1,5	B.P. 29 74311 THYZE CEDEX	ORIGINAL DRAWING DATE : 11/03/21
				CONFIGURATION DATA ARE AVAILABLE IN PDM
				REV : E PAGE : 1/2
				191-PLC-1046-00

IN THE CONSTANT PURPOSE OF IMPROVING ITS PRODUCTS, Amphenol Socapex RESERVES THE RIGHT TO MODIFY ANY DIMENSION OR CHARACTERISTICS.
FM.NPD.0076.THYZE.PUNE rev B

Câblage <i>Wiring</i>				
HDMI		Numéro de fil <i>Wire number</i>	HDMI	
N° contact <i>Pin number</i>	Nom du signal <i>Signal name</i>		N° contact <i>Pin number</i>	Nom du signal <i>Signal name</i>
1	DATA2P	Fibre 1 <i>Fiber</i>	1	DATA2P
3	DATA2N		3	DATA2N
4	DATA1P	Fibre 2 <i>Fiber</i>	4	DATA1P
6	DATA1N		6	DATA1N
7	DATA0P	Fibre 3 <i>Fiber</i>	7	DATA0P
9	DATA0N		9	DATA0N
10	CLKP	Fibre 4 <i>Fiber</i>	10	CLKP
12	CLKN		12	CLKN
2, 5, 8, 11, 17	GND	1	2, 5, 8, 11, 17	GND
13	CEC	2	13	CEC
14	UTILITY	3	14	UTILITY
15	SCL	4	15	SCL
16	SDA	5	16	SDA
18	HDMI_5V	6	18	HDMI_5V
19	HOT_PLUG	7	19	HOT_PLUG

Last change : AD customer check



APPROVAL FOR MANUFACTURING
Add missing specifications on the drawing if necessary (specific labellings, tolerances,...)

CUSTOMER :
PROGRAM :
Name : _____ Date : _____
CUSTOMER SIGNATURE

DRAWN BY : G TUPIN

UPDATED BY: F.ROCH

LAST APPROVED BY: S. FALCOZ

ALL DIMENSIONS ARE IN MM

AMPHENOL SOCAPEX

B.P. 29 74311 THYZE CEDEX

ORIGINAL DRAWING DATE : 11/03/21

CONFIGURATION DATA ARE AVAILABLE IN PDM

REV : E

PAGE : 2/2

191-PLC-1046-00

