

SHIELD-PACK™ AK CLASS 4 AK



Shield-Pack™ AK Class 4

BENEFITS

- Standard AK interface
- High robustness against vibrations
- Higher operating temperatures

FEATURES

- Header compatible with both straight & right angle female connector
- Connector and header design according to AK interface specification and LV215 latest revision
- Individual shielded cables
- Fully interchangeable with other AK supplier sources

AVAILABLE CONFIGURATIONS

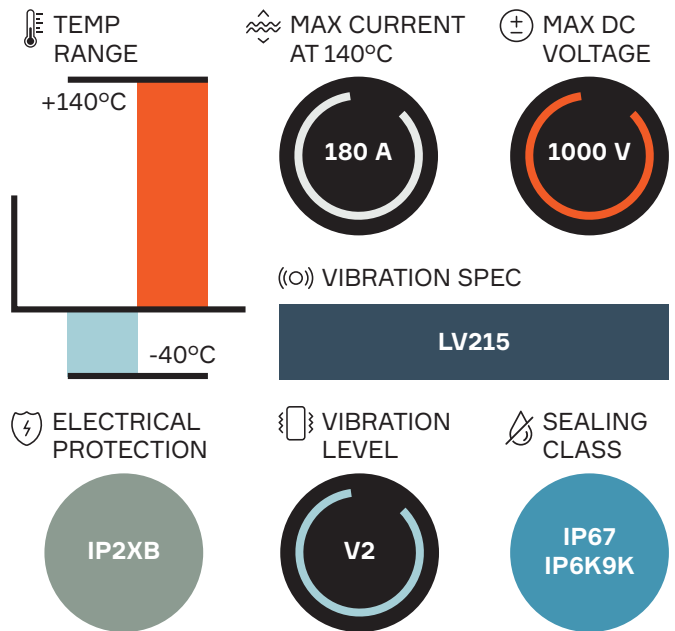
Connector Type	Wire-to-device
Cable Exit Orientation	90°, 180°
Cable Range (mm²)	25 - 50
Terminal Type	8 mm round terminal
# of Power Terminals	2
Shielding	Individual
HVIL	Yes
Number of Indexes	4

APPLICATIONS

High voltage / high current modules:
inverter, battery, junction box, power electric box

See back page for representative part numbers and packaging dimensions.

TECHNICAL CHARACTERISTICS



About Aptiv

Aptiv is a global technology company that develops safer, greener and more connected solutions enabling the future of mobility. Headquartered in Dublin, Aptiv has approximately 150,000 employees and operates 14 technical centers, as well as manufacturing sites and customer support centers in 45 countries.

Visit aptiv.com



Part number	# of ways	Description	Index	Mating Header UL HB	Mating Header UL VO	BOM
33355781	2	Female Connector UL HB	A	35166503	33351454	1
33355782	2	Female Connector UL HB	B	35166504	33351455	1
33355783	2	Female Connector UL HB	C	35166505	-	1
33355784	2	Female Connector UL HB	D	35166506	-	1

ASSOCIATED PARTS

Description	Cable size			BOM*
	25 mm ²	35 mm ²	50 mm ²	
Outer insulation	35172730			2
Active female terminal	35172744			2
Crimp female terminal	35172741	35172742		2
Inner ferrule	35172724	35172725	35172726	2
Outer ferrule - Ni plated	35172727	35172728	35172729	2
ASM strain relief	35172735	35172736	35172737	2
Cable Seal	35172732	35172733	35172734	2
HVIL 1.2 male terminal MCON**	14187603			2

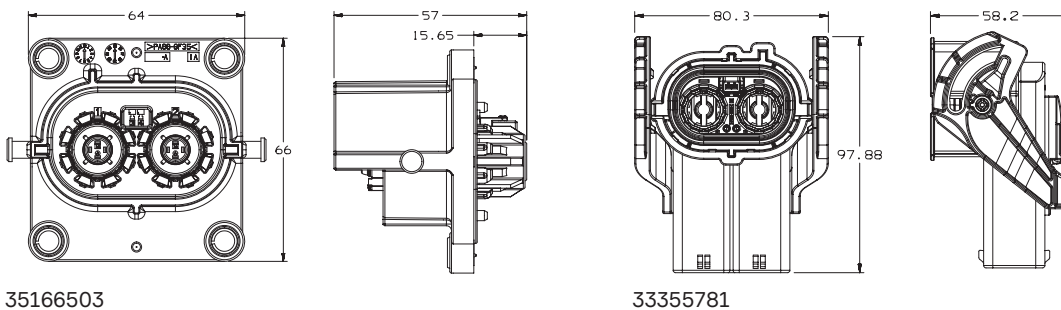
Component Kits*

Part number	Description	Part number	Description
35039798	Assembly for 25 mm ² cable code A	35039805	Assembly for 35 mm ² cable code C
35039799	Assembly for 25 mm ² cable code B	35039806	Assembly for 35 mm ² cable code D
35039800	Assembly for 25 mm ² cable code C	35039808	Assembly for 50 mm ² cable code A
35039801	Assembly for 25 mm ² cable code D	35039809	Assembly for 50 mm ² cable code B
35039802	Assembly for 35 mm ² cable code A	35039810	Assembly for 50 mm ² cable code C
35039804	Assembly for 35 mm ² cable code B	35039811	Assembly for 50 mm ² cable code D

* Available configurations with associated BOM (Bill Of Materials).

** Reference refers to external supplier.

DIMENSION MEASUREMENT SAMPLE



Part numbers, specifications, dimensions and performance data in this document are for general references only and are subject to change without notice. To verify product information, please contact an Aptiv representative.

CS-SP70-HP-En0619

• **APTIV** •

aptiv.com | © 2019 Aptiv. All rights reserved

Mouser Electronics

Authorized Distributor

Click to View Pricing, Inventory, Delivery & Lifecycle Information:

[Aptiv:](#)

[33355781](#) [33355784](#) [33355783](#) [33355782](#) [33351454](#) [33351455](#) [35172736](#) [35172744](#) [35166503](#) [35172732](#)
[35166504](#) [35172733](#) [35172737](#) [35172735](#) [35172734](#) [35172728](#) [35172742](#) [35172724](#) [35172729](#) [35172727](#)
[35172726](#) [35172725](#) [35172741](#) [35172730](#) [35166506](#) [35166505](#)