

DESIGNED AND DIMENSIONED IN MILLIMETERS[INCHES]
ALL DIMENSIONS REFERENCE EXCEPT AS SHOWN

DO NOT SCALE FROM THIS PRINT

QSFP-**DD**-X-X-X-**XX**-F

STACK
-1: SINGLE
*-2: DOUBLE
No OF PORTS
-1, -2, -3,
*-4, *5, *6

STYLE
-F: FLYOVER
LIGHTPIPES
BLANK: NONE
*-L1: LIGHTPIPES

PANEL EMI OPT
-S: SPRING FINGERS
*-T: THRU BEZEL
W/EMI GASKET

* = NOT TOOLED
** = TOOLED BUT NOT RELEASED

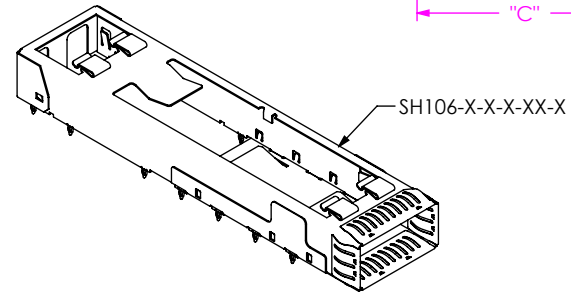
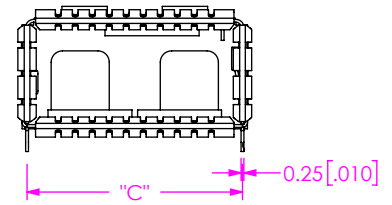
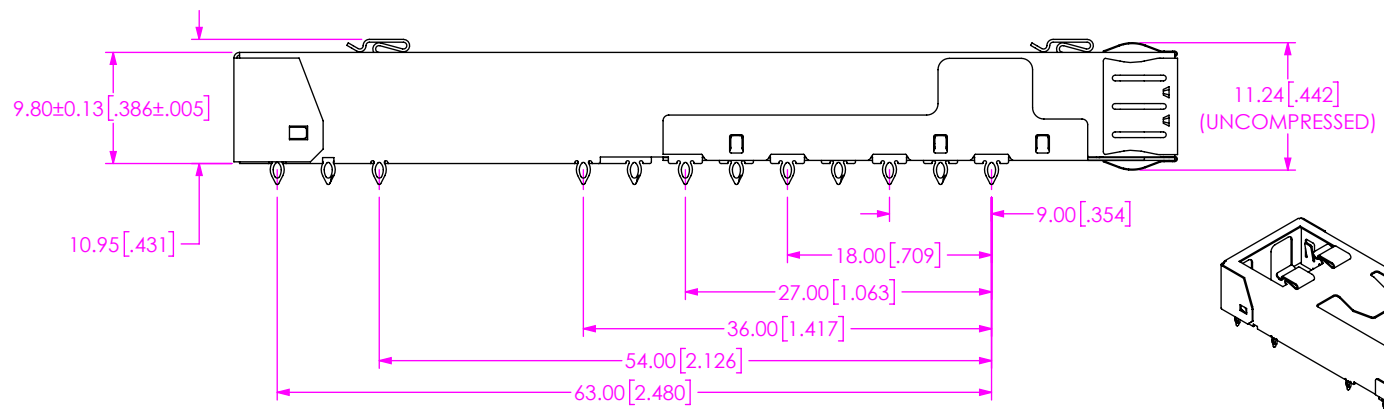
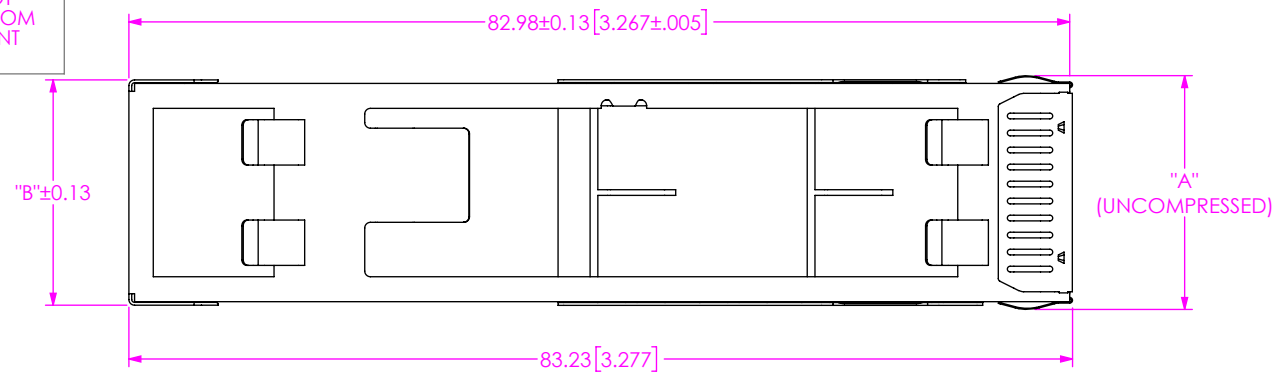


FIG 1
QSFP-**DD**-1-1-S-F SHOWN

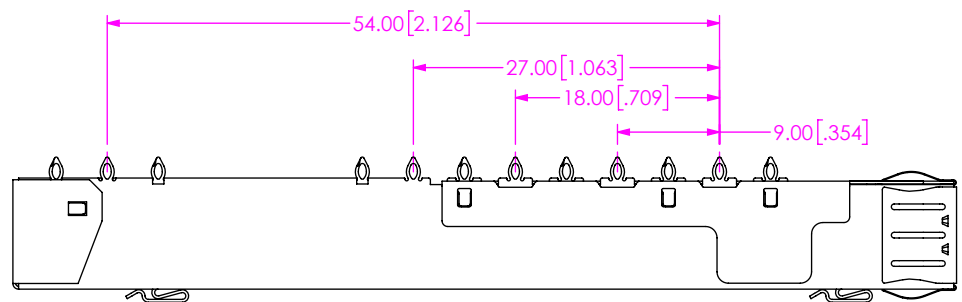


TABLE 1

NO OF PORTS	"A"	"B"	"C"
-1	20.62 [0.812]	19.87 [0.782]	19.00 [0.748]
*-2	39.62 [1.560]	38.87 [1.530]	38.00 [1.496]
-3	58.62 [2.308]	57.87 [2.278]	57.00 [2.244]
*-4	77.62 [3.056]	76.87 [3.026]	76.00 [2.992]
*-5	96.62 [3.804]	95.87 [3.774]	95.00 [3.740]
*-6	115.62 [4.552]	114.87 [4.522]	114.00 [4.488]

* = NOT TOOLED

NOTES:
1. SEE FQSFP-DD-XX-X-XX.X-X-FOOTPRINT FOR RECOMMENDED FOOTPRINT.
2. COMPATIBLE WITH HEAT SINK HS-QSFP-DD-XX-X.
3. PULL AND SHIP IN TY-QSFP002

PROPRIETARY NOTE
THIS DOCUMENT CONTAINS CONFIDENTIAL AND PROPRIETARY INFORMATION AND ALL DESIGN, MANUFACTURING, REPRODUCTION, USE, PATENT RIGHTS AND SALES RIGHTS ARE EXPRESSLY RESERVED BY SAMTEC, INC. THIS DOCUMENT SHALL NOT BE DISCLOSED, IN WHOLE OR PART, TO ANY UNAUTHORIZED PERSON OR ENTITY NOR REPRODUCED, TRANSFERRED OR INCORPORATED IN ANY OTHER PROJECT IN ANY MANNER WITHOUT THE EXPRESS WRITTEN CONSENT OF SAMTEC, INC.

DO NOT SCALE DRAWING
SHEET SCALE: 3:2

MATERIAL:
CAGE: NICKEL PLATED COPPER ALLOY
EMI FINGERS: STAINLESS STEEL

samtec
520 PARK EAST BLVD. NEW ALBANY, IN 47150
PHONE: 812-944-6733 FAX: 812-948-5047
e-Mail info@SAMTEC.com code 55322

DESCRIPTION: FQSFP-DD CAGE ASSEMBLY

DWG. NO. QSFP-**DD**-X-X-X-**XX**-F

BY: L ARNS 05/17/2017 SHEET 1 OF 3

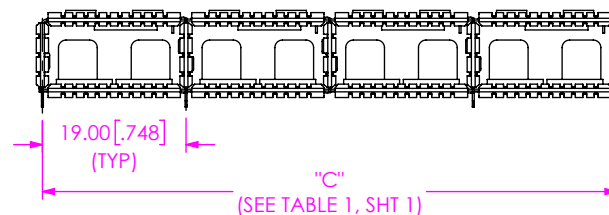
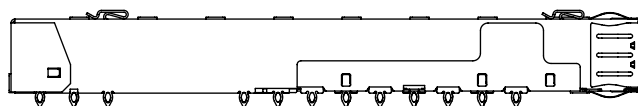
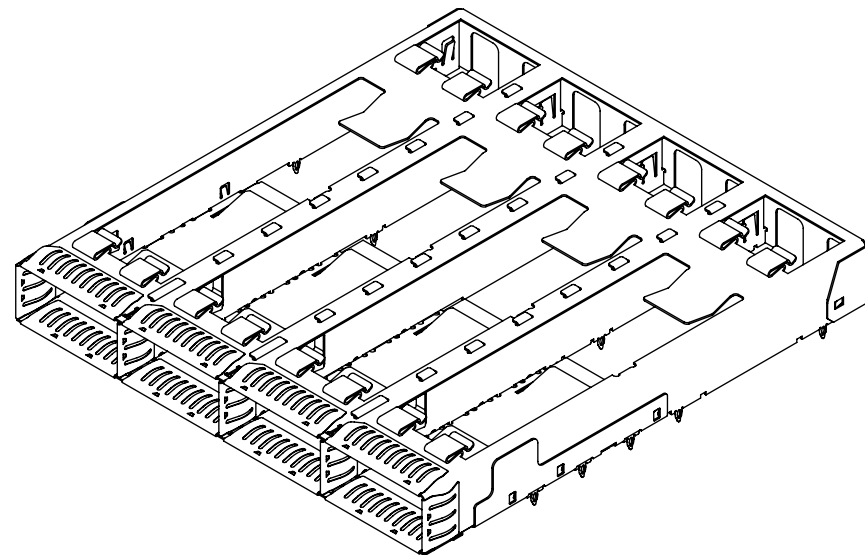
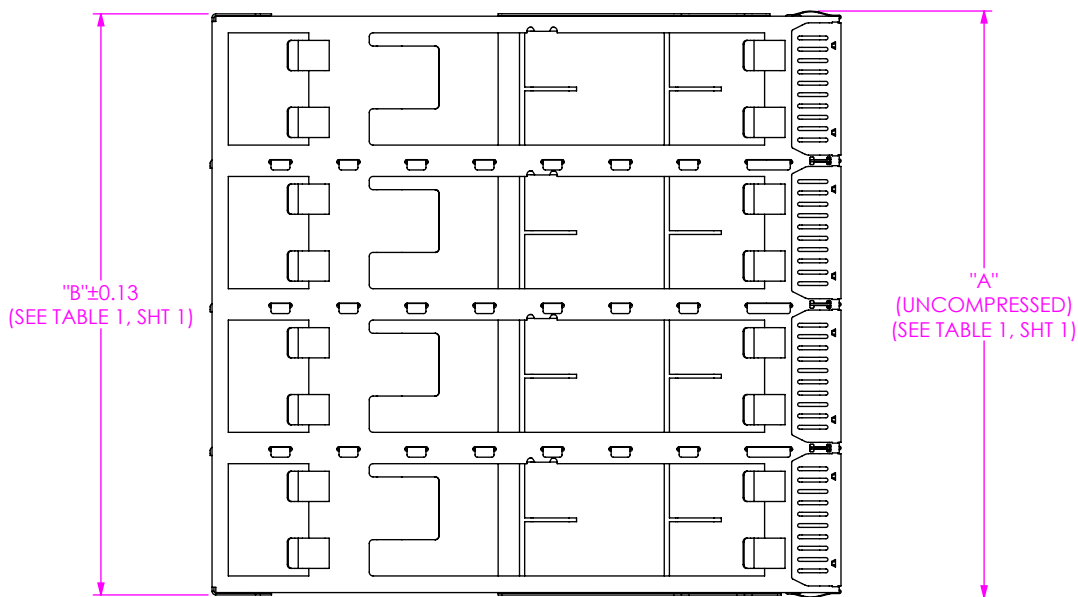


FIG 2
MULTIPLE PORT CAGE EXAMPLE
*QSFP-DD-1-4-S-F SHOWN
(NOT TOOLED)

<p>PROPRIETARY NOTE</p> <p>THIS DOCUMENT CONTAINS CONFIDENTIAL AND PROPRIETARY INFORMATION AND ALL DESIGN, MANUFACTURING, REPRODUCTION, USE, PATENT RIGHTS AND SALES RIGHTS ARE EXPRESSLY RESERVED BY SAMTEC, INC. THIS DOCUMENT SHALL NOT BE DISCLOSED, IN WHOLE OR PART, TO ANY UNAUTHORIZED PERSON OR ENTITY NOR REPRODUCED, TRANSFERRED OR INCORPORATED IN ANY OTHER PROJECT IN ANY MANNER WITHOUT THE EXPRESS WRITTEN CONSENT OF SAMTEC, INC.</p>		
	<p>520 PARK EAST BLVD., NEW ALBANY, IN 47150 PHONE: 812-944-6733 FAX: 812-948-5047 e-Mail info@SAMTEC.com code 55322</p>	
	<p>DO NOT SCALE DRAWING</p>	<p>DESCRIPTION: FQSFP-DD CAGE ASSEMBLY</p>
<p>SHEET SCALE: 1:1</p>	<p>DWG. NO. QSFP-DD-X-X-X-XX-F</p>	<p>BY: L ARNS 05/17/2017 SHEET 2 OF 3</p>

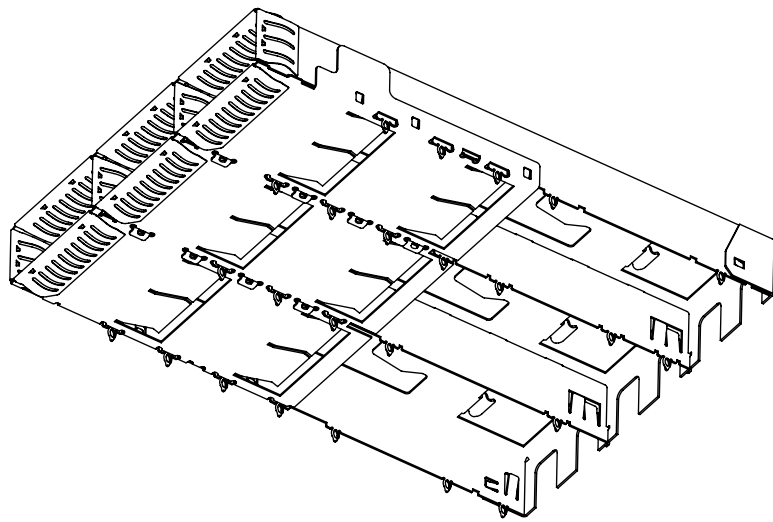


FIG 3
 QSFP-DD-1-3-S-F SHOWN
 CAGES WITH AN ODD NUMBER OF PORTS HAVE ALTERNATING COMPLIANT PIN POSITIONS
 TO AVOID INTERFERENCE IN BELLY TO BELLY APPLICATIONS

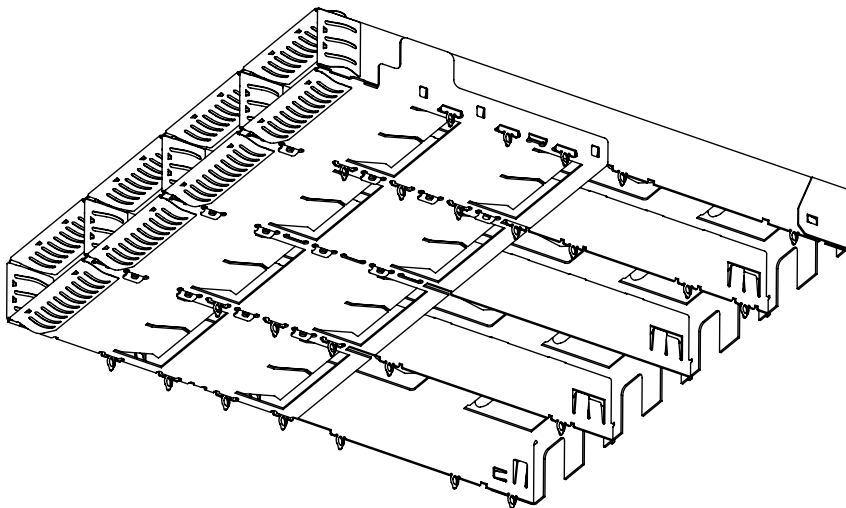
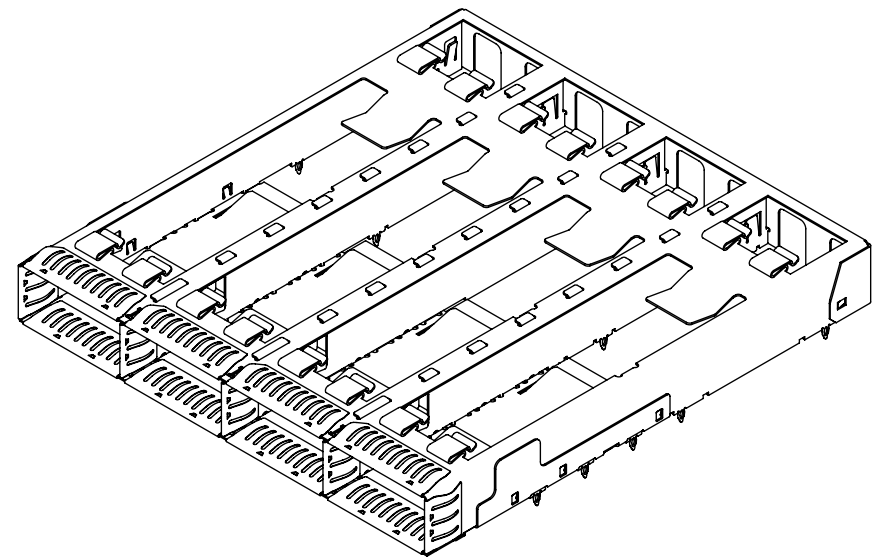
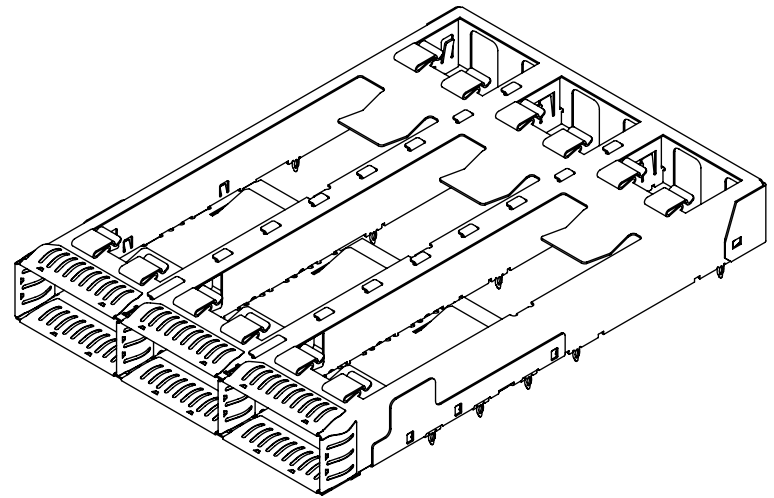


FIG 4
 QSFP-DD-1-4-S-F SHOWN
 CAGES WITH AN EVEN NUMBER OF PORTS HAVE ALTERNATING COMPLIANT PIN POSITIONS
 AND A BLANK ROW IN THE CENTER TO AVOID INTERFERENCE IN BELLY TO BELLY APPLICATIONS.
 (NOT TOOLED)

PROPRIETARY NOTE
 * THIS DOCUMENT CONTAINS CONFIDENTIAL AND PROPRIETARY INFORMATION AND ALL DESIGN, MANUFACTURING, REPRODUCTION, USE, PATENT RIGHTS AND SALES RIGHTS ARE EXPRESSLY RESERVED BY SAMTEC, INC. THIS DOCUMENT SHALL NOT BE DISCLOSED, IN WHOLE OR PART, TO ANY UNAUTHORIZED PERSON OR ENTITY NOR REPRODUCED, TRANSFERRED OR INCORPORATED IN ANY OTHER PROJECT IN ANY MANNER WITHOUT THE EXPRESS WRITTEN CONSENT OF SAMTEC, INC.

samtec
 520 PARK EAST BLVD, NEW ALBANY, IN 47150
 PHONE: 812-944-6733 FAX: 812-948-5047
 e-Mail info@SAMTEC.com code 55322

DO NOT SCALE DRAWING

DESCRIPTION:
 QSFDP-DD CAGE ASSEMBLY

SHEET SCALE: 1:1

DWG. NO.
QSFP-~~DD~~-X-X-X-XX-F

BY: L ARNS 05/17/2017 SHEET 3 OF 3