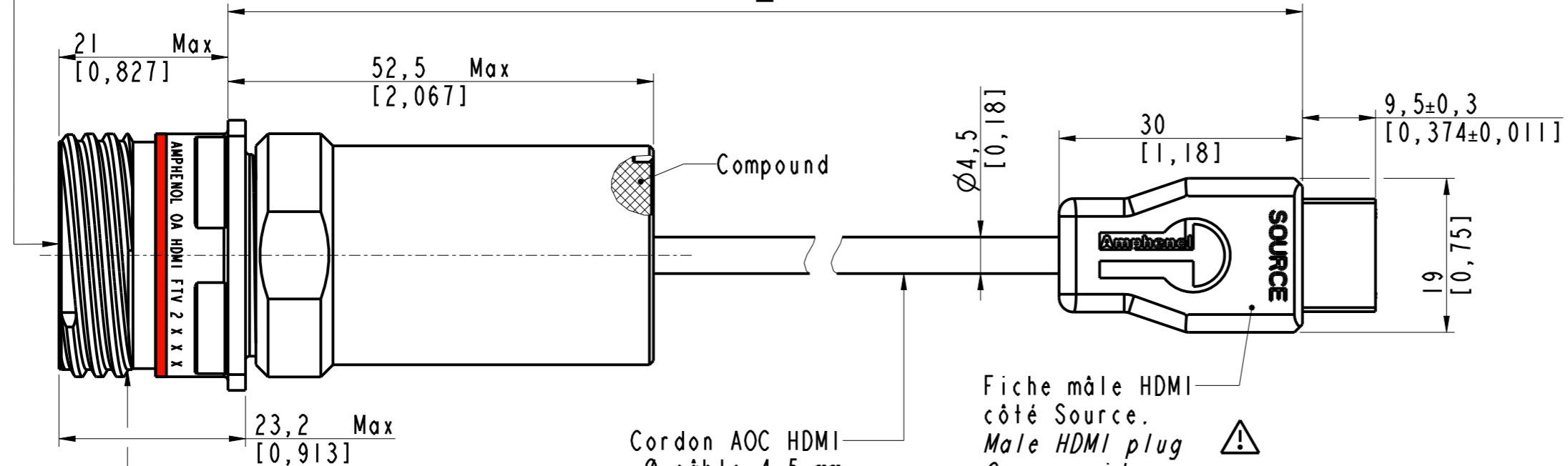


IN THE CONSTANT PURPOSE OF IMPROVING ITS PRODUCTS, AMPHENOL SOCAPEX RESERVES THE RIGHT TO MODIFY ANY DIMENSION OR CHARACTERISTICS. FM.NPD.0076.THYEZ.PUNE rev B

Embase femelle HDMI
côté Display
Female HDMI receptacle.
Display side

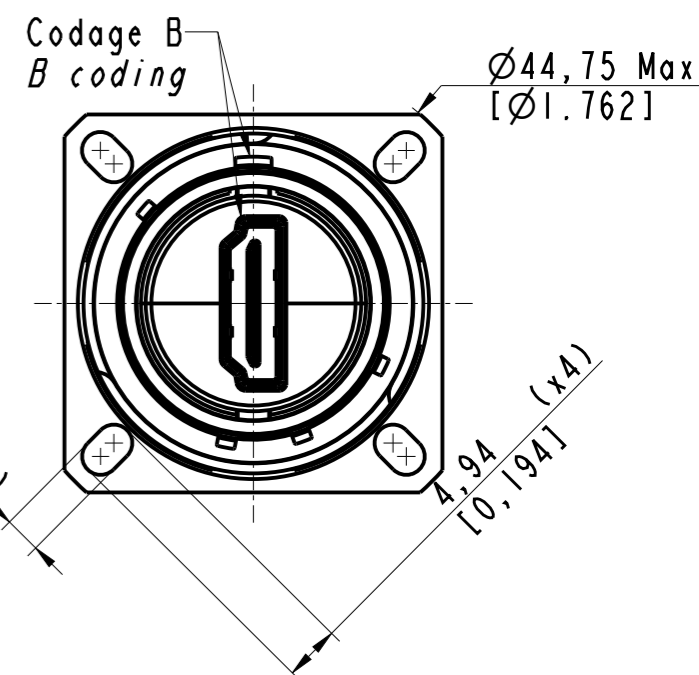
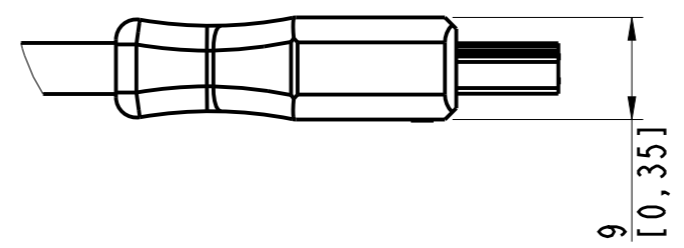
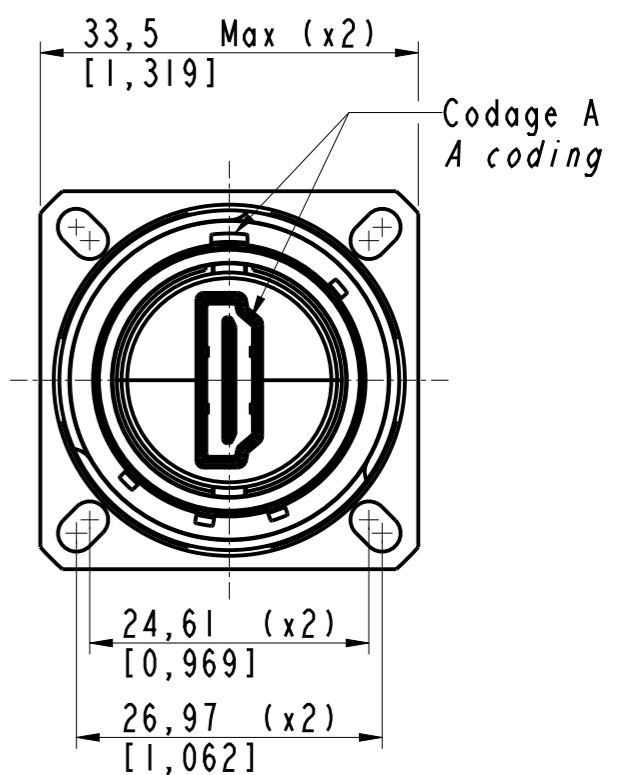
Voir tableau
See table



Cordon AOC HDMI
Ø câble 4,5 mm
Gaine TPU noire.
AOC HDMI cordset
Cable Ø 4,5 mm
Black TPU jacket.

Fiche mâle HDMI
côté Source.
Male HDMI plug
Source side.

Interface de connexion type
MIL-DTL-38999
série III
taille 17
Connection
interface type
MIL-DTL-38999
series III
size 17



Référence
Part number: **OA HDMI FTV 2 x x xxxx**

Référence Part number	longueur L (m) length
OA HDMI FTV 2 x x 0050	5
OA HDMI FTV 2 x x 0075	7,5
OA HDMI FTV 2 x x 0100	10
OA HDMI FTV 2 x x 0150	15
OA HDMI FTV 2 x x 0200	20
OA HDMI FTV 2 x x 0250	25
OA HDMI FTV 2 x x 0300	30
OA HDMI FTV 2 x x 0400	40
OA HDMI FTV 2 x x 0500	50
OA HDMI FTV 2 x x 1000	100

- A B** Codages / Codings
- G** alu-protection cadmium vert olive (non RoHS).
alu-olive drab cadmium plating (not RoHS).
- N** alu-protection nickel (RoHS).
alu-nickel plating (RoHS).
- ZN** alu-protection zinc nickel noir (RoHS).
alu-black zinc nickel plating (RoHS).

Longueur de cordon (voir tableau).
Cordset length (see table).



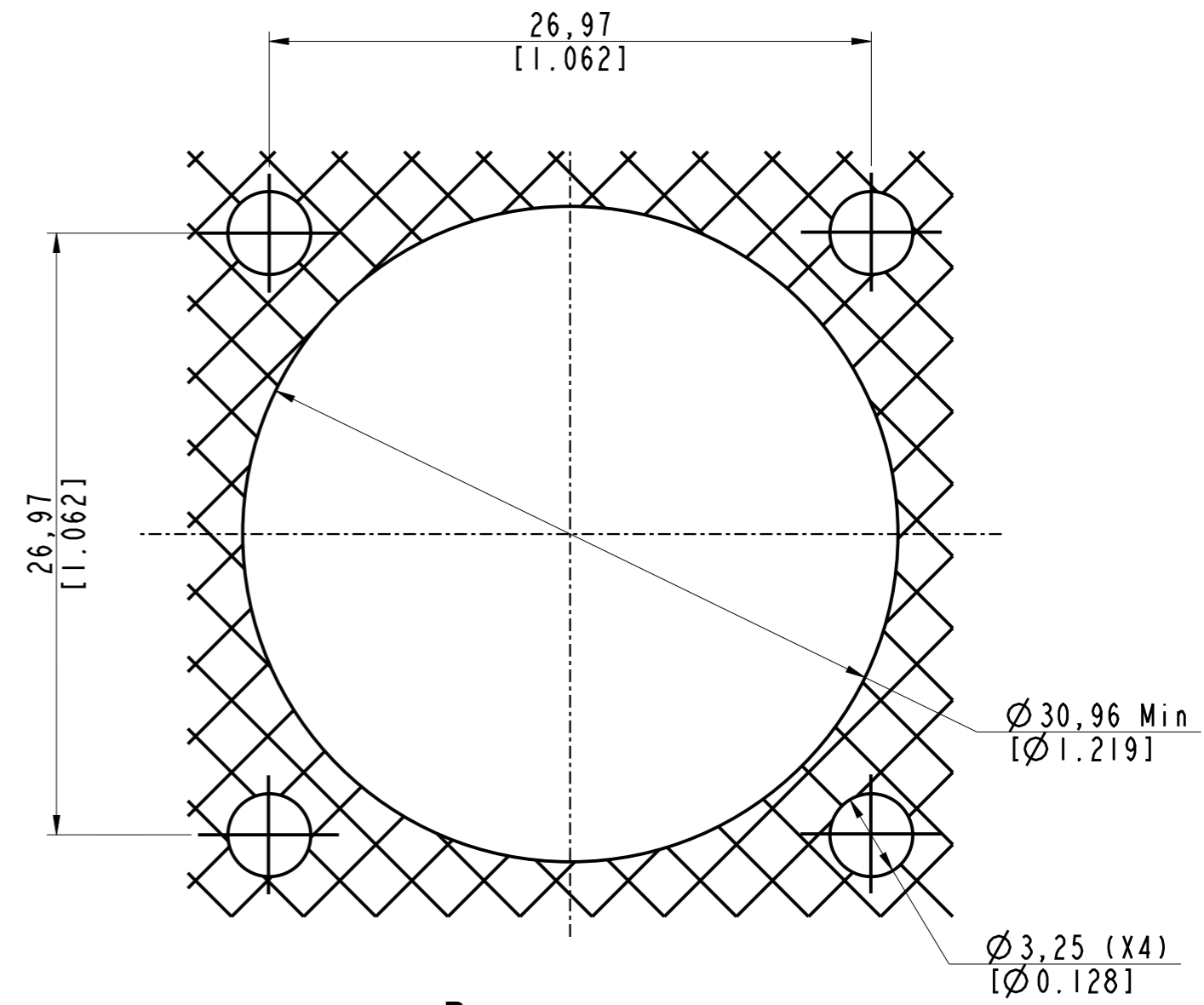
Vérifier que la configuration soit compatible avec la solution AOC.
Check that the AOC solution is compatible with the configuration.

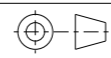
Dimensions are in mm / [inch]

APPROVAL FOR MANUFACTURING Add missing specifications on the drawing if necessary (specific labellings, tolerances,...)		DRAWN BY : H. DUCRUET	UPDATED BY : F.ROCH	LAST APPROVED BY : S. FALCOZ
CUSTOMER :	ALL DIMENSIONS ARE IN MM	AMPHENOL SOCAPEX		ORIGINAL DRAWING DATE : 21/12/2023
PROGRAM :	SCALE : 1,5			CONFIGURATION DATA ARE AVAILABLE IN PDM
CUSTOMER SIGNATURE	Name : _____ Date : _____	B.P. 29 74311 THYEZ CEDEX		REV : B PAGE : 1/2
				191-PLC-1288-00

IN THE CONSTANT PURPOSE OF IMPROVING ITS PRODUCTS, Amphenol Socapex RESERVES THE RIGHT TO MODIFY ANY DIMENSION OR CHARACTERISTICS.
FM.NPD.0076.THYZE.PUNE rev B

Câblage <i>Wiring</i>				
HDMI		Numéro de fil <i>Wire number</i>	HDMI	
N° contact <i>Pin number</i>	Nom du signal <i>Signal name</i>		N° contact <i>Pin number</i>	Nom du signal <i>Signal name</i>
1	DATA2P	Fibre 1 <i>Fiber</i>	1	DATA2P
3	DATA2N		3	DATA2N
4	DATA1P	Fibre 2 <i>Fiber</i>	4	DATA1P
6	DATA1N		6	DATA1N
7	DATA0P	Fibre 3 <i>Fiber</i>	7	DATA0P
9	DATA0N		9	DATA0N
10	CLKP	Fibre 4 <i>Fiber</i>	10	CLKP
12	CLKN		12	CLKN
2, 5, 8, 11, 17	GND	1	2, 5, 8, 11, 17	GND
13	CEC	2	13	CEC
14	UTILITY	3	14	UTILITY
15	SCL	4	15	SCL
16	SDA	5	16	SDA
18	HDMI_5V	6	18	HDMI_5V
19	HOT_PLUG	7	19	HOT_PLUG



APPROVAL FOR MANUFACTURING Add missing specifications on the drawing if necessary (specific labellings, tolerances,...)		DRAWN BY : H. DUCRUET	UPDATED BY: F.ROCH	LAST APPROVED BY: S. FALCOZ	
CUSTOMER :	Name : _____ Date : _____	ALL DIMENSIONS ARE IN MM	AMPHENOL SOCAPEX	ORIGINAL DRAWING DATE : 21/12/2023	CONFIGURATION DATA ARE AVAILABLE IN PDM
PROGRAM :				SCALE : 1,5	REV : B
CUSTOMER SIGNATURE			B.P. 29 74311 THYZE CEDEX	191-PLC-1288-00	