

Product data sheet

Power connectors

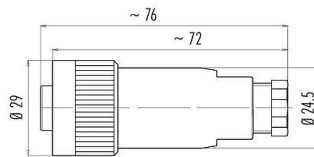


| | |
|---------------------|--|
| Product description | RD24 Female cable connector, Contacts: 6+PE, 6.0-8.0 mm, unshielded, crimping (Crimp contacts must be ordered separately), IP67, UL, ESTI+, VDE, PG 9 |
| Area | series 693 |
| Part no. | 99 4202 00 07 |

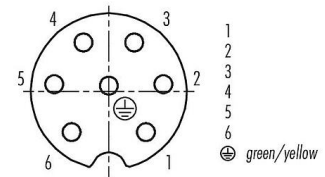
Illustration



Scale drawing



Contact arrangement (Plug-in side)



You can find the component part drawing on the next page.

Technical data

General features

| | |
|---------------------------|--|
| Part no. | 99 4202 00 07 |
| Connector design | Female cable connector |
| Version | Connector socket straight |
| Connector locking system | screw |
| Termination | crimping (Crimp contacts must be ordered separately) |
| Degree of protection | IP67 |
| Cross-sectional area | IP65 with cable diameter 6-7 mm |
| Cable outlet | click here for more info |
| Temperature range from/to | 6.0-8.0 mm |
| Mechanical operation | -40 °C / 100 °C |
| Weight (g) | > 500 Mating cycles |
| Customs tariff number | 27.89 |
| Country of Origin | 85369010 |
| | DE |

Electrical parameters

| | |
|---------------------------|-----------------------|
| Rated voltage | 250 V |
| Rated impulse voltage | 4000 V |
| Rated current | 10 A (8 A UL) |
| Insulation resistance | $\geq 10^{10} \Omega$ |
| Pollution degree | 3 |
| Overvoltage category | III |
| Insulating material group | III |
| EMC compliance | unshielded |

Material

| | |
|-----------------------|--|
| Contact body material | PBT (UL94 V-0) |
| Contact material | depending on crimp contact (accessory) |

Product data sheet

Power connectors



| | |
|---------------------|--|
| Product description | RD24 Female cable connector, Contacts: 6+PE, 6.0-8.0 mm, unshielded, crimping (Crimp contacts must be ordered separately), IP67, UL, ESTI+, VDE, PG 9 |
| Area | series 693 |
| Part no. | 99 4202 00 07 |

| | |
|-----------------|--------------------------------------|
| Contact plating | Ag (silver) |
| REACH SVHC | CAS 96-45-7 (Imidazolidine-2-thione) |
| SCIP number | 46f11452-7615-4d8d-8b50-eb6caf584c62 |

Authorization/approvals

| | |
|-----------|----------------|
| Approvals | UL, ESTI+, VDE |
|-----------|----------------|

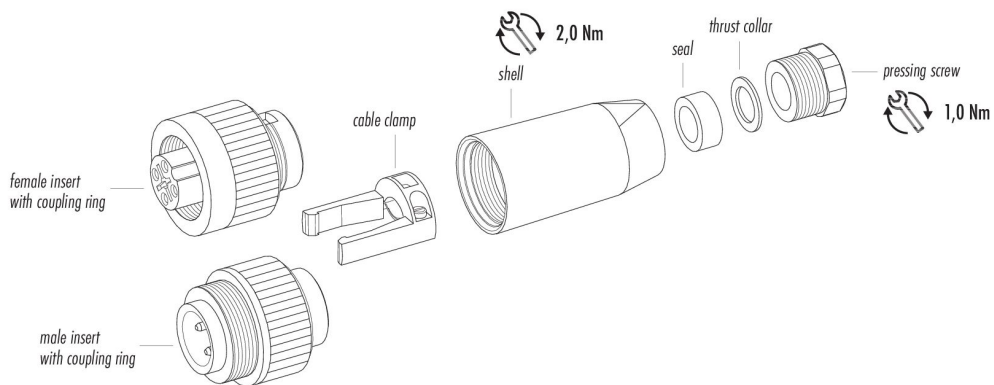
Classifications

| | |
|-------------|-------------|
| eCl@ss 11.1 | 27-44-01-02 |
| ETIM 9.0 | EC002635 |

Declarations of conformity

| | |
|-----------------------|--|
| Low Voltage Directive | 2014/35/EU (EN 60204-1:2018;EN 60529:1991) |
|-----------------------|--|

Component part drawing



| | |
|---------------------|--|
| Product description | RD24 Female cable connector, Contacts: 6+PE, 6.0-8.0 mm, unshielded, crimping (Crimp contacts must be ordered separately), IP67, UL, ESTI+, VDE, PG 9 |
| Area | series 693 |
| Part no. | 99 4202 00 07 |

Security notices

The connector must not be plugged or unplugged under load. Non-observance and improper use can result in personal injury.

The connectors have been developed for applications in plant engineering, control and electrical equipment construction. The user is responsible for checking whether the connectors can also be used in other areas of application.

To protect against unintentional opening of the connector, the thread between the housing and the connector head must be secured with a suitable cyanoacrylate adhesive when used in circuits with voltages dangerous to the touch. This does not apply to connectors used in SELV and PELV circuits according to IEC 61140 (EN 61140, VDE 0140-1).

Connectors which are used in circuits with voltages dangerous to the touch may only be installed and used by, or under the supervision of, persons with electrical engineering training, taking into account the applicable regulations and standards.

The user must take suitable safety precautions to ensure that the connector cannot be accidentally disconnected.

The plug connector is not suitable for mains voltages Please observe the pollution degree and the overvoltage category. For further information, please refer to the download center "Technical Information".