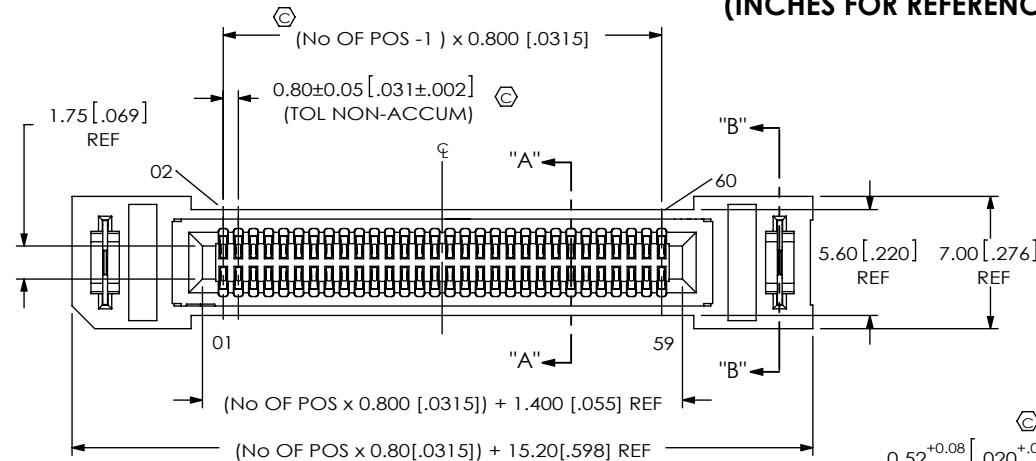


**DESIGNED & DIMENSIONED  
IN MILLIMETERS  
(INCHES FOR REFERENCE ONLY)**

**HSEC8-1XX-XX-X-D-EMXX**



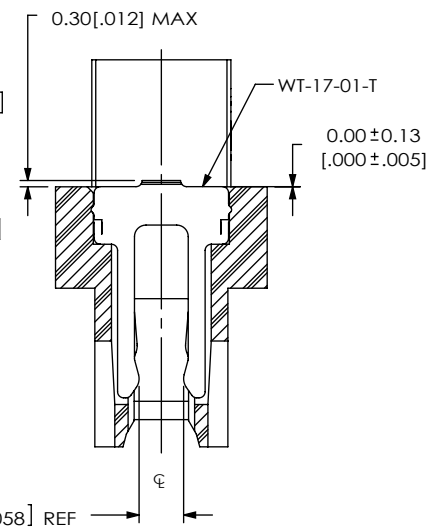
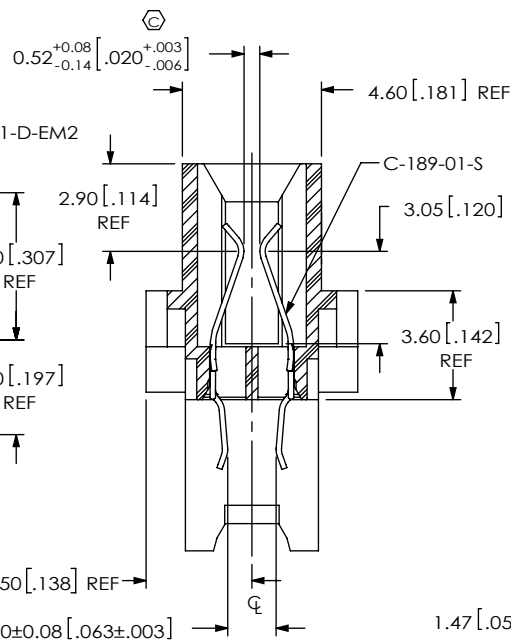
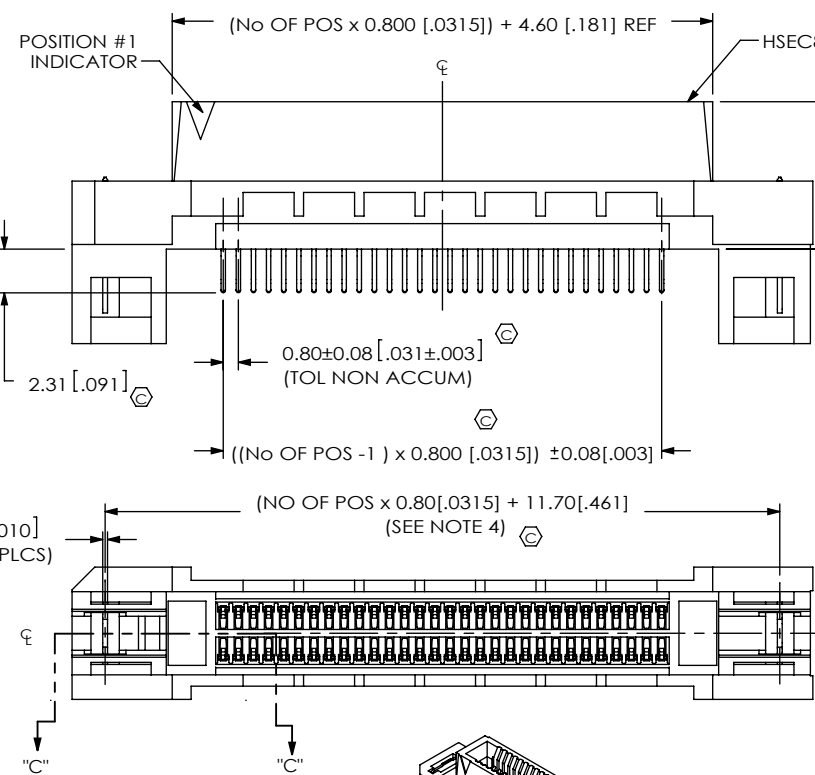
**NO OF POSITIONS**  
 -10, -20, & -30 (SEE FIG. 1)  
 -13, -25, -37, -40, -49,  
 -50, & -60 (SEE FIG. 2)  
 (PER ROW)

**CARD THICKNESS**  
 -01: 1.57mm [.062] THICK CARD

**PLATING SPECIFICATION**  
 -S: 30 $\mu$ " SELECTIVE GOLD IN CONTACT AREA,  
 MATTE TIN ON TAIL  
 -L: 10 $\mu$ " LIGHT SELECTIVE GOLD IN CONTACT AREA,  
 MATTE TIN ON TAIL

**TAIL OPTION**  
 -EM2: 1.57mm [.062] THICK PCB  
 -EM2L: 1.57mm [.062] THICK PCB  
 WITH WELD TAB LATCH  
 (SHT. 3, FIG. 3)(AVAILABLE  
 ONLY IN 13, 25, 37 & 49  
 POSITIONS)

**ROW SPECIFICATION**  
 -D: DOUBLE  
 (USE HSEC8-XX-01-D-EM2X)



**SECTION "A"- "A"  
SCALE 4 : 1**

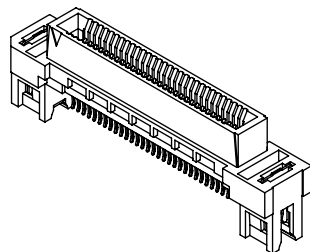
**SECTION "B"- "B"  
SCALE 4 : 1**

**FIG 1**

FOR POSITIONS -10, -20 & -30  
 (SHOWN: HSEC8-130-01-S-D-EM2)

**NOTES:**

1.  $\text{\textcircled{C}}$  REPRESENTS A CRITICAL DIMENSION.
2. BURR ALLOWANCE: 0.04[.0015] MAX.
3. MINIMUM PUSHOUT FORCE: 2.22 NEWTONS.
4. ALL TAIL TO TAIL DIMENSIONS TO BE MEASURED FROM TIP TO TIP.



UNLESS OTHERWISE SPECIFIED, DIMENSIONS ARE IN MILLIMETERS.

**TOLERANCES ARE:**

DECIMALS ANGLES  
 .X:  $\pm 0.3$  [.01] 2°  
 .XX:  $\pm 0.13$  [.005]  
 .XXX:  $\pm 0.051$  [.0020]

**PROPRIETARY NOTE**

THIS DOCUMENT CONTAINS CONFIDENTIAL AND PROPRIETARY INFORMATION AND ALL DESIGN, MANUFACTURING, REPRODUCTION, USE, PATENT RIGHTS AND SALES RIGHTS ARE EXPRESSLY RESERVED BY SAMTEC, INC. THIS DOCUMENT SHALL NOT BE DISCLOSED, IN WHOLE OR PART, TO ANY UNAUTHORIZED PERSON OR ENTITY NOR REPRODUCED, TRANSFERRED OR INCORPORATED IN ANY OTHER PROJECT IN ANY MANNER WITHOUT THE EXPRESS WRITTEN CONSENT OF SAMTEC, INC.

**MATERIAL:** DO NOT SCALE DRAWING SHEET SCALE: 1:0.4  
 INSULATOR: LCP, UL 94 VO, COLOR: BLACK  
 CONTACT: BeCu  
 WELD TAB: PHOS BRONZE

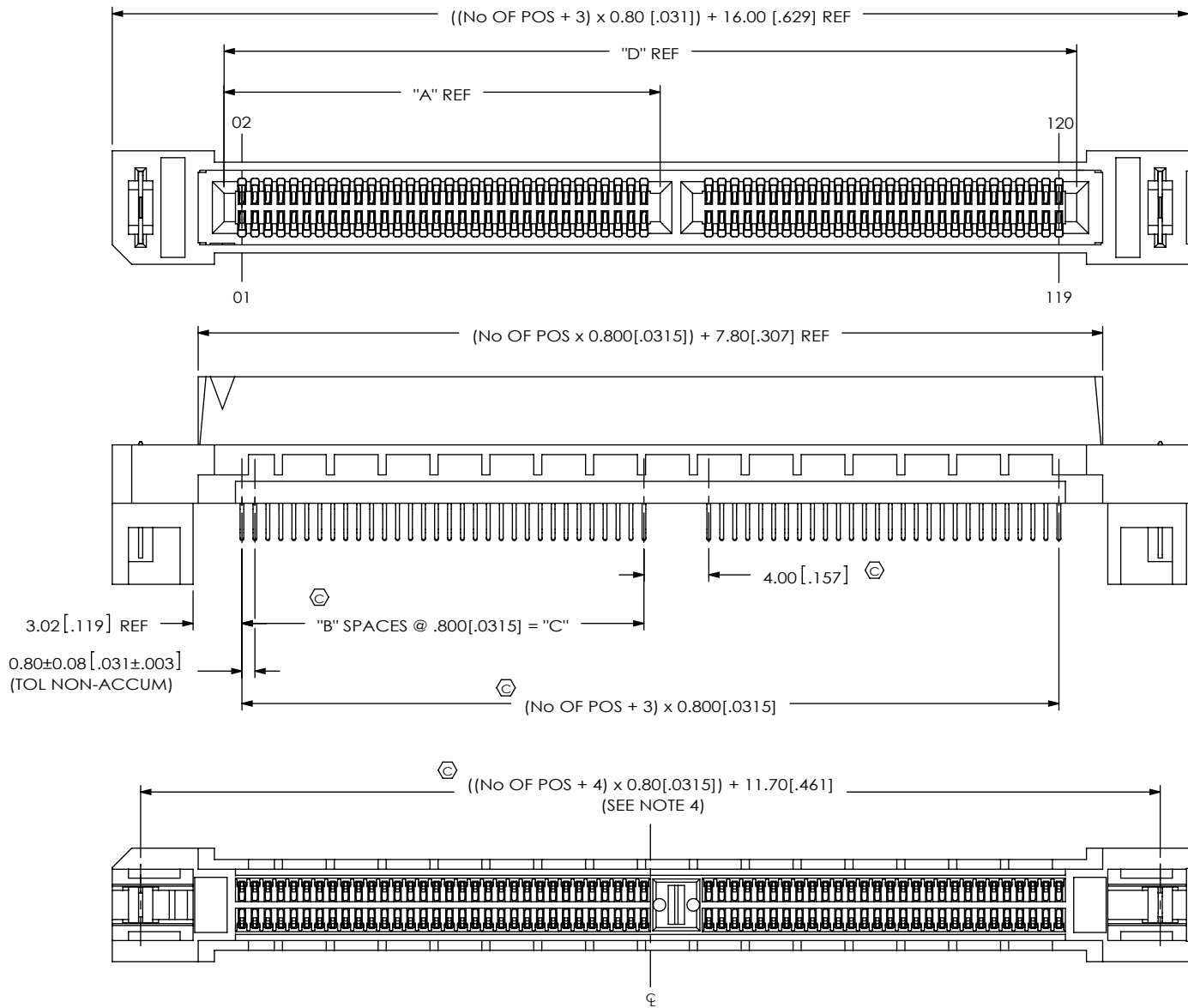


520 PARK EAST BLVD, NEW ALBANY, IN 47150  
 PHONE: 812-944-6733 FAX: 812-948-5047  
 e-Mail info@SAMTEC.com code 55322

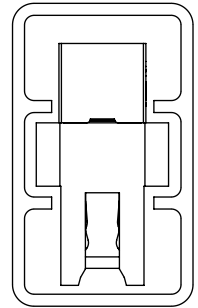
DESCRIPTION:  
 0.8mm HIGH SPEED, DUAL EDGE MOUNT, MINI-EDGE CARD ASSEMBLY

DWG. NO.  
**HSEC8-1XX-XX-X-D-EMXX**

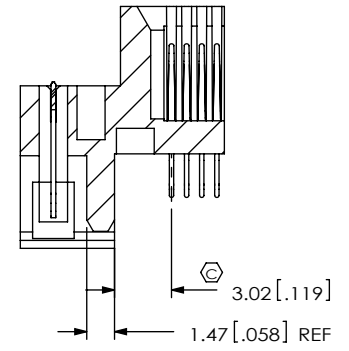
BY: BRATCHER 01/27/03 SHEET 1 OF 3



PACKAGING VIEW  
FOR EM2  
(PARTS TO HAVE POSITION #1 LOADED IN SAME DIRECTION AS ARROW ON TUBE)



TUBE: PT-1-24-02-125  
PLUG: TP-03



SECTION "C"- "C"

FIG 2  
FOR POSITIONS -13, -25, -37, -40, -49, -50, -60  
(SAME AS FIG 1, UNLESS OTHERWISE STATED)  
(SHOWN: HSEC8-160-01-S-D-EM2)

No OF POS	"A" REF	"B"	"C"	"D" REF
-13	6.10 [.240]	5	4.000 [.1575]	15.00 [.591]
-25	6.10 [.240]	5	4.000 [.1575]	24.60 [.969]
-37	18.10 [.713]	20	16.000 [.6299]	34.20 [1.346]
-40	18.90 [.744]	21	16.800 [.6614]	36.600 [1.441]
-49	22.90 [.902]	26	20.800 [.8189]	43.80 [1.724]
-50	22.90 [.902]	26	20.800 [.8189]	44.60 [1.756]
-60	26.90 [1.059]	31	24.800 [.9763]	52.60 [2.071]

**PROPRIETARY NOTE**  
 THIS DOCUMENT CONTAINS CONFIDENTIAL AND PROPRIETARY INFORMATION AND ALL DESIGN, MANUFACTURING, REPRODUCTION, USE, PATENT RIGHTS AND SALES RIGHTS ARE EXPRESSLY RESERVED BY SAMTEC, INC. THIS DOCUMENT SHALL NOT BE DISCLOSED, IN WHOLE OR PART, TO ANY UNAUTHORIZED PERSON OR ENTITY NOR REPRODUCED, TRANSFERRED OR INCORPORATED IN ANY OTHER PROJECT IN ANY MANNER WITHOUT THE EXPRESS WRITTEN CONSENT OF SAMTEC, INC.

DO NOT SCALE DRAWING  
SHEET SCALE: 1:0.4

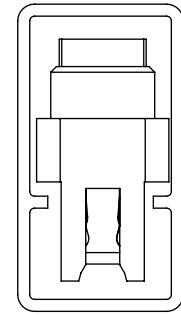
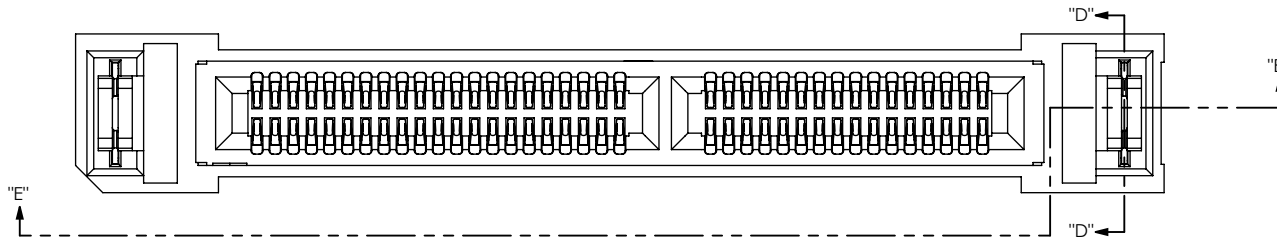


520 PARK EAST BLVD, NEW ALBANY, IN 47150  
PHONE: 812-944-6733 FAX: 812-948-5047  
e-Mail info@SAMTEC.com code 55322

DESCRIPTION:  
0.8mm HIGH SPEED, DUAL EDGE MOUNT, MINI-EDGE CARD ASSEMBLY  
DWG. NO.

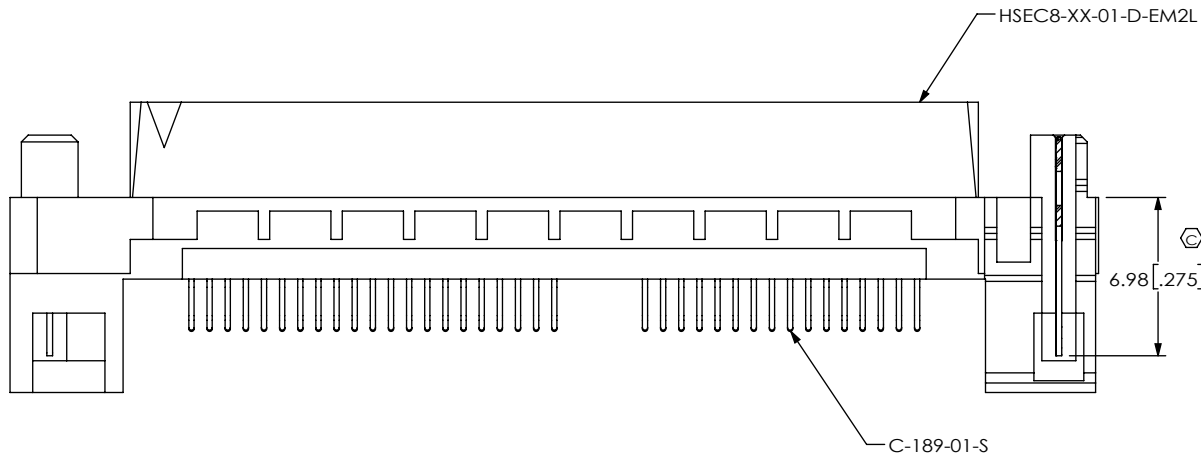
HSEC8-1XX-XX-X-D-EMXX

BY: BRATCHER 01/27/03 SHEET 2 OF 3

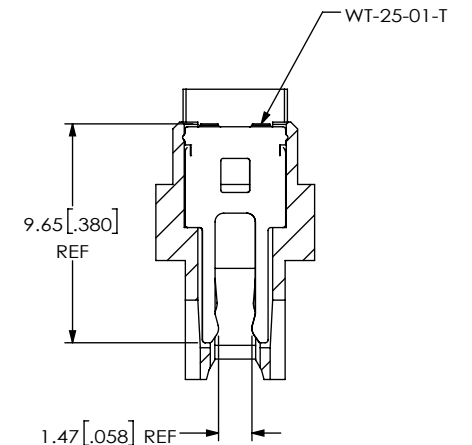


TUBE: PT-1-24-01-108  
 PLUG: TP-13

PACKAGING VIEW  
 FOR EM2L



SECTION "E"- "E"



SECTION "D"- "D"

**FIG 3**  
 (SAME AS FIG 2, UNLESS OTHERWISE STATED)  
 (SHOWN: HSEC8-137-01-S-D-EM2L)

**PROPRIETARY NOTE**  
 \* THIS DOCUMENT CONTAINS CONFIDENTIAL AND PROPRIETARY INFORMATION AND ALL DESIGN, MANUFACTURING, REPRODUCTION, USE, PATENT RIGHTS AND SALES RIGHTS ARE EXPRESSLY RESERVED BY SAMTEC, INC. THIS DOCUMENT SHALL NOT BE DISCLOSED, IN WHOLE OR PART, TO ANY UNAUTHORIZED PERSON OR ENTITY NOR REPRODUCED, TRANSFERRED OR INCORPORATED IN ANY OTHER PROJECT IN ANY MANNER WITHOUT THE EXPRESS WRITTEN CONSENT OF SAMTEC, INC.

DO NOT SCALE DRAWING

SHEET SCALE: 1:0.333333



520 PARK EAST BLVD, NEW ALBANY, IN 47150  
 PHONE: 812-944-6733 FAX: 812-948-5047  
 e-Mail info@SAMTEC.com code 55322

DESCRIPTION:  
 0.8mm HIGH SPEED, DUAL EDGE MOUNT, MINI-EDGE CARD ASSEMBLY

DWG. NO.  
**HSEC8-1XX-XX-X-D-EMXX**

BY: BRATCHER 01/27/03 SHEET 3 OF 3