

1355290-1 ✓ ACTIVE

AMP | AMP MCP 9.5, AMP MCP Connector System

TE Internal #: 1355290-1

Housing for Male Terminals, Wire-to-Wire, 2 Position, 12.5 mm [.492 in] Centerline, Black, Wire & Cable, Power, Panel Mount, Key A, Hybrid

[View on TE.com >](#)



Connectors > Automotive Connectors > Automotive Housings > AMP Unsealed Connector Housing



Connector System: **Wire-to-Wire**

Number of Positions: **2**

Connector & Housing Type: **Housing for Male Terminals**

Centerline (Pitch): **12.5 mm [.492 in]**

Sealable: **No**

[All AMP Unsealed Connector Housing \(176\)](#)

Features

Product Type Features

Mixed & Hybrid Connector	No
Connector Shape	Rectangular
Connector System	Wire-to-Wire
Connector & Housing Type	Housing for Male Terminals
Sealable	No
Connector & Contact Terminates To	Wire & Cable
Primary Locking Feature	Integrated in Housing

Configuration Features

Number of Positions	2
Number of Rows	1

Electrical Characteristics

Operating Voltage	28 VDC
-------------------	--------



Body Features

Cable Exit Angle	180°
Primary Product Color	Black
Connector & Keying Code	A

Contact Features

Contact Size	9.5mm
Contact Type	Tab
Mating Tab Width	9.5 mm[.374 in]

Mechanical Attachment

Terminal Position Assurance	No
Strain Relief	Without
Mating Alignment Type	Keyed
Mating Alignment	With
Connector Mounting Type	Panel Mount

Housing Features

Housing Material	PA66 GF15
Centerline (Pitch)	12.5 mm[.492 in]

Dimensions

Connector Height	66 mm[2.59 in]
Product Width	30.6 mm[1.2 in]
Product Length	40 mm[1.57 in]
Wire Size	16 mm ²

Operation/Application

Circuit Application	Power
---------------------	-------

Industry Standards

UL Flammability Rating	UL 94HB
------------------------	---------

Packaging Features

Packaging Quantity	350
Packaging Method	Box

Other

Serviceable	Yes
Connector Position Assurance Capable	No



Product Compliance

[For compliance documentation, visit the product page on TE.com>](#)

EU RoHS Directive 2011/65/EU	Compliant
EU ELV Directive 2000/53/EC	Compliant
China RoHS 2 Directive MIIT Order No 32, 2016	No Restricted Materials Above Threshold
EU REACH Regulation (EC) No. 1907/2006	Current ECHA Candidate List: JUNE 2024 (241) Candidate List Declared Against: JUNE 2024 (241) Does not contain REACH SVHC
Halogen Content	BFR/CFR/PVC Free, but Br/Cl >900 ppm in other sources.
Solder Process Capability	Not applicable for solder process capability

Product Compliance Disclaimer

This information is provided based on reasonable inquiry of our suppliers and represents our current actual knowledge based on the information they provided. This information is subject to change. The part numbers that TE has identified as EU RoHS compliant have a maximum concentration of 0.1% by weight in homogenous materials for lead, hexavalent chromium, mercury, PBB, PBDE, DBP, BBP, DEHP, DIBP, and 0.01% for cadmium, or qualify for an exemption to these limits as defined in the Annexes of Directive 2011/65/EU (RoHS2). Finished electrical and electronic equipment products will be CE marked as required by Directive 2011/65/EU. Components may not be CE marked. Additionally, the part numbers that TE has identified as EU ELV compliant have a maximum concentration of 0.1% by weight in homogenous materials for lead, hexavalent chromium, and mercury, and 0.01% for cadmium, or qualify for an exemption to these limits as defined in the Annexes of Directive 2000/53/EC (ELV). Regarding the REACH Regulation, the information TE provides on SVHC in articles for this part number is based on the latest European Chemicals Agency (ECHA) 'Guidance on requirements for substances in articles' posted at this URL: <https://echa.europa.eu/guidance-documents/guidance-on-reach>

Compatible Parts



Also in the Series | [AMP MCP 9.5](#)



Automotive Housings(11)



Automotive Terminals(11)

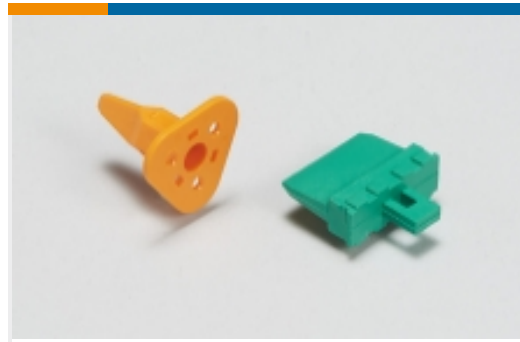


Connector Seals & Cavity Plugs(3)

Also in the Series | **AMP MCP Connector System**



Automotive Connector Caps & Covers (24)



Automotive Connector Locks & Position Assurance(4)



Automotive Housings(260)



Automotive Terminals(11)



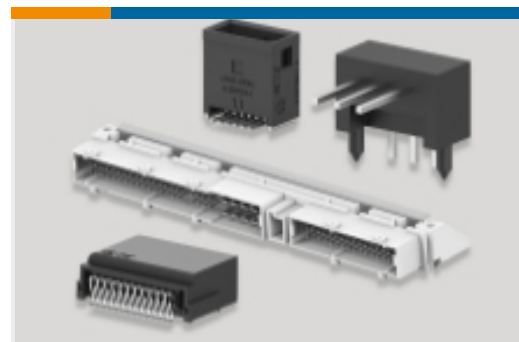
Connector Seals & Cavity Plugs(5)



Insertion & Extraction Tools(13)

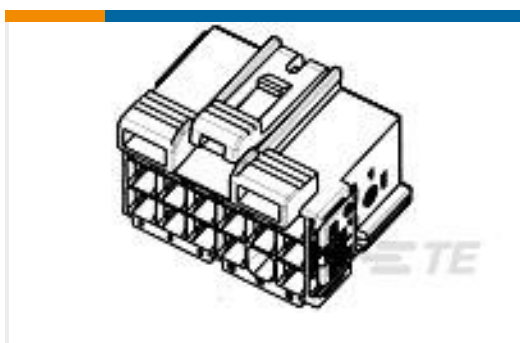


Other Automotive Connector Accessories(2)

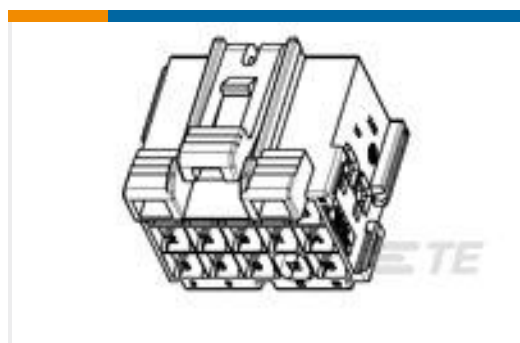


PCB Headers & Receptacles(28)

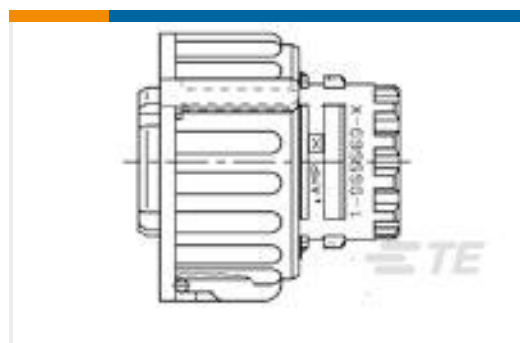
Customers Also Bought



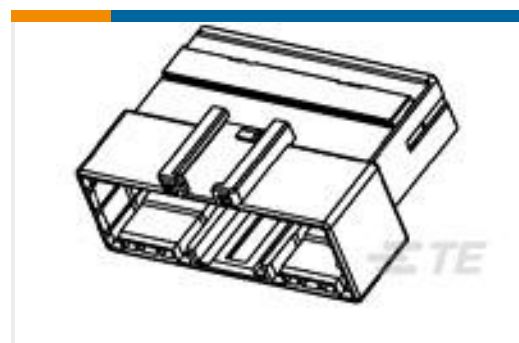
TE Part #1241581-1
JUN-POW-TIM HOUSING 17POS



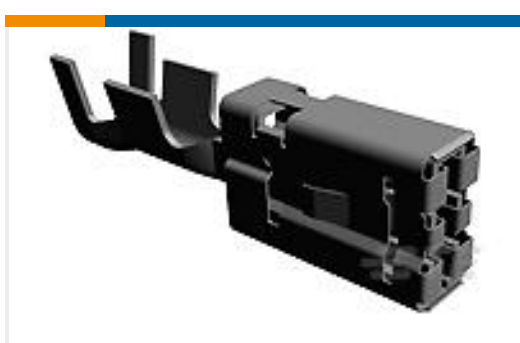
TE Part #1355206-1
JUN-POW-TIM GEH 14P



TE Part #1-1813099-3
2.5mm SOCKET HSG ASSEMBLY (BLACK 2POS)



TE Part #936131-1
090III 20P CAP ASSY



TE Part #1-967588-1
AMP MCP 9.5, CONTACT



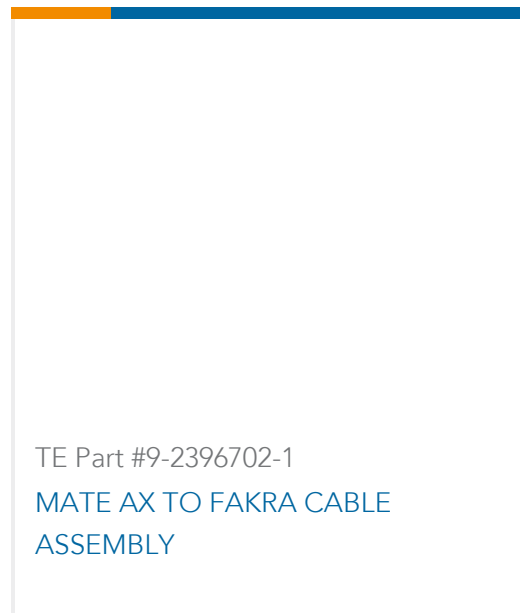
TE Part #2-2109441-3
MCP 2.8 8P PLUG ASSY B-GRY/C



TE Part #936429-2
HYBRID 42P CAP ASSY BLK



TE Part #1743059-2
MT-II/JPT SLD 36P PLUG ASSY



Documents

Product Drawings

9,5 TAB HOUSING 2POS,BLACK

English

CAD Files

3D PDF

3D

Customer View Model

[ENG_CVM_CVM_1355290-1_B.2d_dxf.zip](#)

English

Customer View Model

[ENG_CVM_CVM_1355290-1_B.3d_igs.zip](#)

English

Customer View Model

[ENG_CVM_CVM_1355290-1_B.3d_stp.zip](#)

English

By downloading the CAD file I accept and agree to the [Terms and Conditions](#) of use.

Product Specifications

AMP MCP9,5 Kontaktsystem

English

Product Specification

English