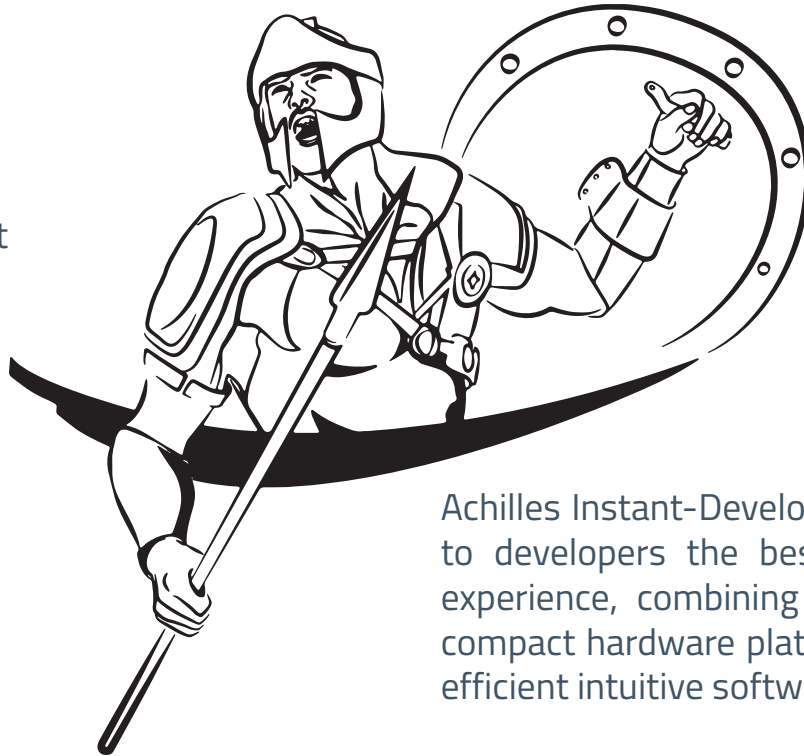


Instant-DevKit Arria 10 SoC SoM IDK

Target markets:

- Automotive
- Video Broadcast
- Machine and Intelligent Vision
- Industrial
- Military
- Test & Measurement
- Medical



Achilles Instant-Development Kit provides to developers the best Out-Of-The box experience, combining the Best-In Class compact hardware platform and the most efficient intuitive software environment.

DevKitInvasion



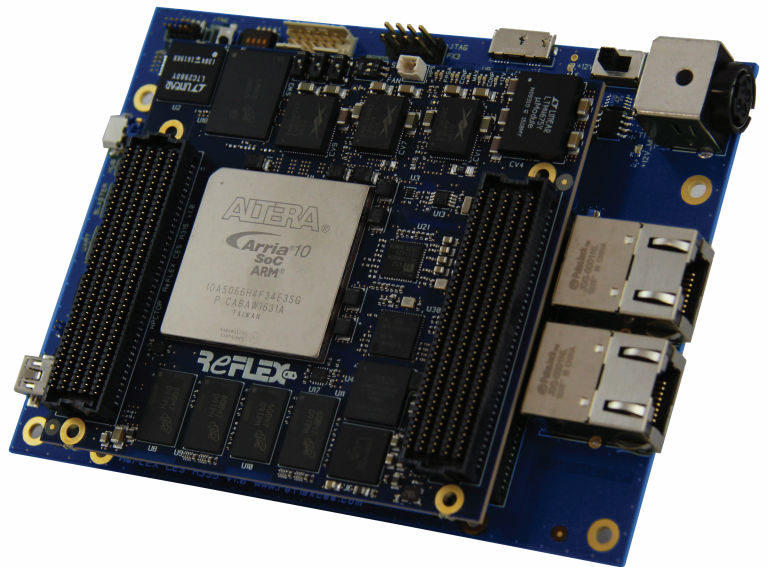
ATTILA
Arria 10 FPGA FMC IDK



ALARIC
Arria 10 SoC FMC IDK



ACHILLES
Arria 10 SoC SoM IDK



Contact :

Europe Sales Office
sales@reflexces.com

www.reflexces.com



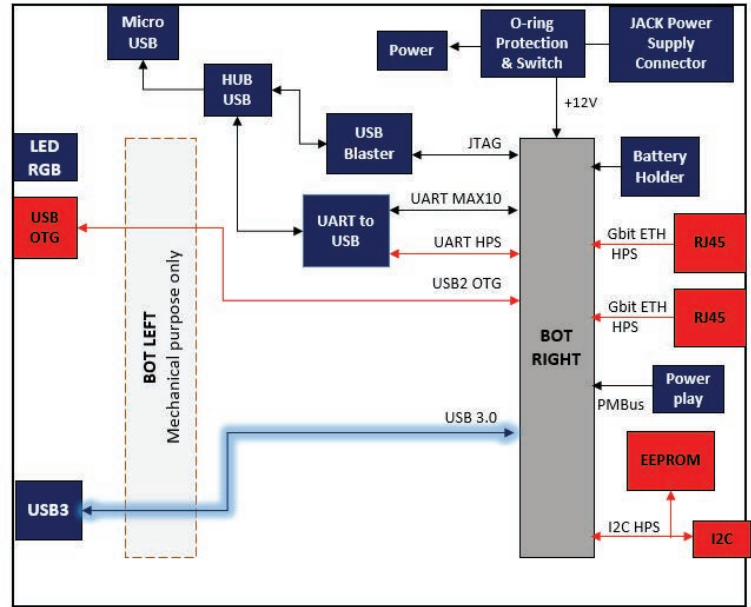
North America Sales Office
salesusa@reflexces.com



ACHILLES Instant-DevKit

Arria 10 SoC SoM IDK

Starter board



Configuration & Monitoring

- Onboard USB Blaster JTAG configuration circuitry to enable FPGA and MAX10 configuration over USB connector.
- µUSB connector interfacing UART bus, MAX 10 and the HPS FPGA
- Connector for connecting a Linear Powerplay DC1613A USB cable
- PMBus interface : Digital Power System management is ready, configure and interrogate the PSM Devices with LTPowerPlay

Communication Interfaces

- 2x Ethernet 10/100/1000 Base-T (HPS) 1x I²C (HPS)
- 1x USB3.0 Micro B (FPGA) 1x USB OTG Mini AB (HPS)

Board size - 100mm (3.94 inches) x 140 mm (5.51 inches)

Power - Evaluation mode on desk with AC power supply

Standards and compliance - RoHS/REACH compliant, ISO9001 Facility, UL certified

Kit Ordering information

Version

- Development Kit (Starter board + Module)

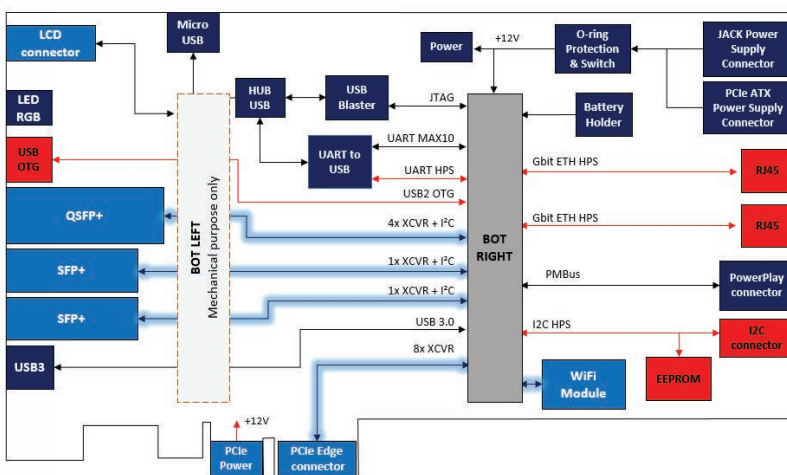
Part number

RXCA10S066PF34-IDK0SA

Kit content

- Power cable (US, UK, EU, JP), cables (USB, Ethernet)
- Starter board running the GUI interface
- Arria 10 SoC SoM "Turbo" version with Heatsink/heat spreader
- Starter Guide, Reference Manual
- Test Designs (Quartus II Projects), Mechanical drawings
- Schematics (pdf), assembly files (pdf), Carrier Design Guide

Optional add-on board : PCIe Carrier Board



Configuration & Monitoring

- Onboard USB Blaster JTAG
- µUSB connector interfacing UART bus, MAX 10 and HPS FPGA.
- Connector for Linear Powerplay DC1613A USB cable
- PMBus interface : Digital Power System management is ready, configure and interrogate the PSM Devices with LTPowerPlay

Communication Interfaces

- PCI Express x8 Gen 1/ 2/ 3 edge connector
- 1x QSFP+ quad optical cage (4 XCVR: 10.3125 Gb/s per link)
- 2x SFP+ single optical cage (2 XCVR : 10.3125 Gb/s per link)
- 2x Ethernet 10/100/1000 Base-T (HPS)
- 1x USB3.0 Micro B (FPGA), 1x USB OTG Mini AB (HPS)
- Atmel Wifi 802.11 b/g/n IoT (Internet of Things) module
- One 1x10pts connector for connecting an LCD

Power

- Evaluation mode on desk (AC power supply) or PCIe mode

Standards and compliance - RoHS/REACH compliant, ISO9001 Facility, UL certified

Board size

- Standard height (111.15 mm / 4.376 inches) x Half length (167.65 mm / 6.600 inches) / Fan on top

PCIe Carrier Board Ordering information : Part number = RXCA10S000F34-FHPOSA