

- NOTES:
- HUOSING:LCP HIGH-TEMP THERMOPLASTIC UL94V-0 COLOR:BLACK
  - TERMINAL/GROUND PLANE:PHOSPHOR BRONZE  
PLATING:10 $\mu$  GOLD IN CONTACT AREA, MATTE TIN ON TALL.
  - Operating Temp Range: -55 to +125
  - Current Rating :  
Contact : 1.3A per pin  
Ground Plane : 10.1A per ground plane
  - Voltage Rating : 225 VAC
  - Max Cycles : 100 VAC
  - Contact resistance: 50m

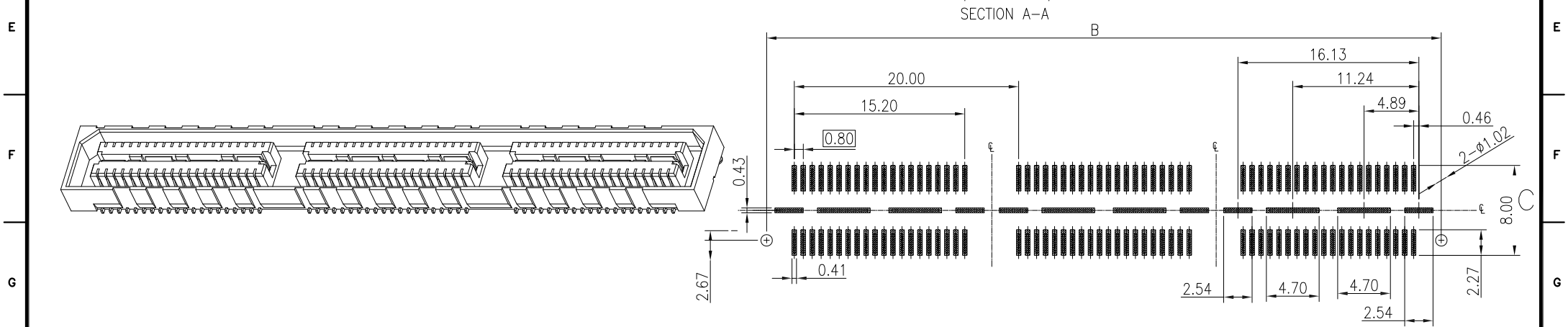
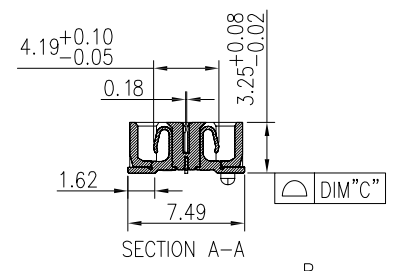
No. of Contacts	Dimensions		
	A	B	C
40	21.28	20.13	0.10
80	41.28	40.13	0.10
120	61.28	60.13	0.15


PART NO:

BHSE08- XXX V0X G10 T

220:40pin  
240:80pin  
260:120pin

G10 : AU 10 $\mu$ /TIN



REV	DATE	MODIFICATION DESCRIPTION	CHANGE	APPROVE	OPERATION	DRAW	LIUSHENGYU	2018/11/08	SCALE	FIT		
					X.X	±0.40	DESIGN	LIUSHENGYU	2018/11/08	UNIT		mm
					X.XX	±0.25	CHECK	LVHAIXIN	2018/11/08	SIZE		A4
A/1	2018/11/08	NEW			X.XXX	±0.15	APPROVE	LVHAIXIN	2018/11/08	SHEET		1/2
					Angle	±3°				TITLE:	0.80mm SOCKET H3.25	
					DIM	TOL			PROJ.	DWG.No.		