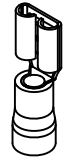
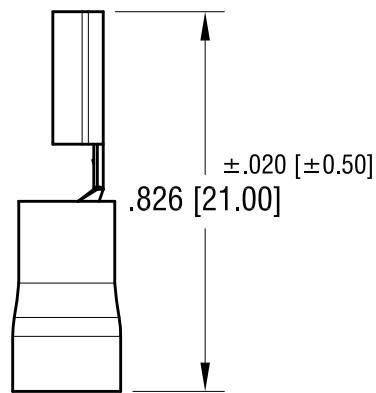
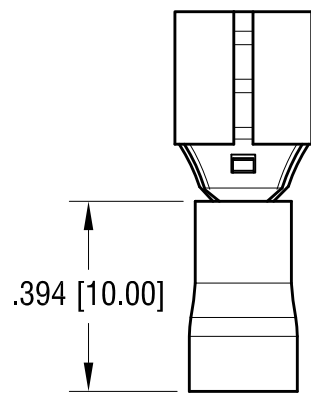
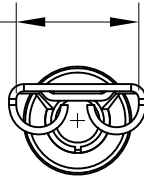


THIS DOCUMENT IS THE PROPERTY OF  
KEYSTONE ELECTRONICS CORP. AND  
SHALL NOT BE REPRODUCED, DISTRIBUTED  
OR USED AS A BASIS FOR MANUFACTURE  
WITHOUT PRIOR WRITTEN PERMISSION  
FROM KEYSTONE ELECTRONICS CORP.

ACTUAL SIZE



MATES WITH  
.250 [6.4] x .032 [0.81]  
MALE TAB



**NOTES:**

1. ACCEPTS MALE TAB,  
.250 [6.35] W. x .032 [0.81] TH'K
2. ACCEPTS WIRE RANGE 16-14 AWG  
MAXIMUM INSULATION DIA. .145 [6.38]
3. BODY: MAT'L: BRASS, TIN PLATE  
INSULATION: MAT'L: VINYL, COLOR BLUE

11.29.23	PER NEW TOOLING CHANGE AS PER ECN 23-227	B
8.04.21	TERMINAL MAT'L WAS COPPER CHANGE AS PER ECN 21-077	A
DATE	DESCRIPTION	REV.

<b>KEYSTONE ELECTRONICS CORP.</b>			
www.keyelco.com • NEW HYDE PARK, NY 11040 • Tel (516) 328-7500			
PART NAME <b>INSULATOR QUICK-FIT TERMINAL</b>			
MATERIAL <b>AS NOTED</b>			
FINISH <b>AS NOTED</b>		DRN BY <b>NT</b>	DATE <b>8.19.08</b>
		APP'D <b>RH</b>	SCALE <b>2.5X</b>
TOLERANCES DECIMAL ANGULAR	INCH [MM] ±.010 [±0.25] ± 1°	CODE <b>C</b>	DWG NO. <b>8279</b>
UNLESS OTHERWISE SPECIFIED			