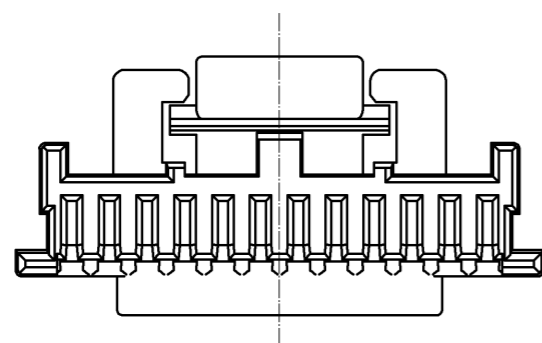
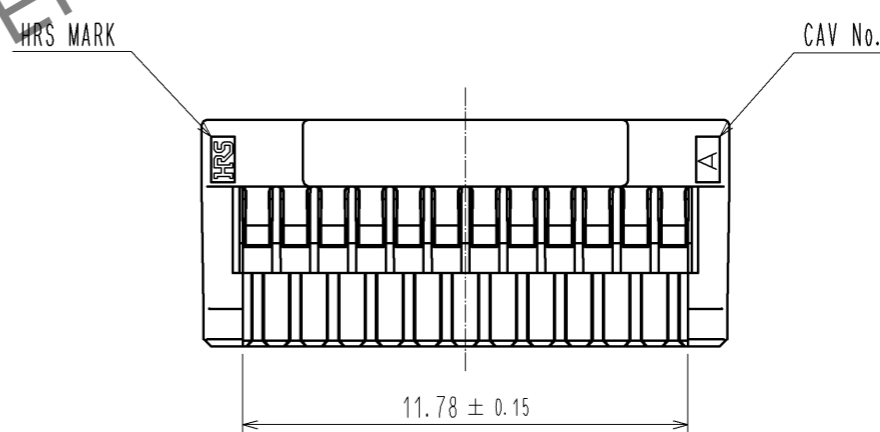
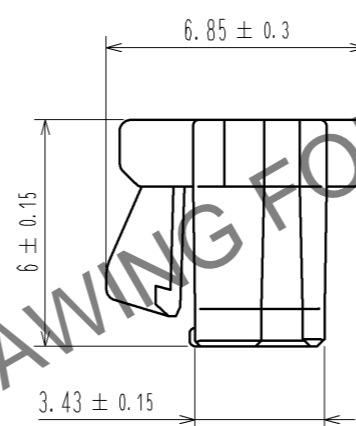
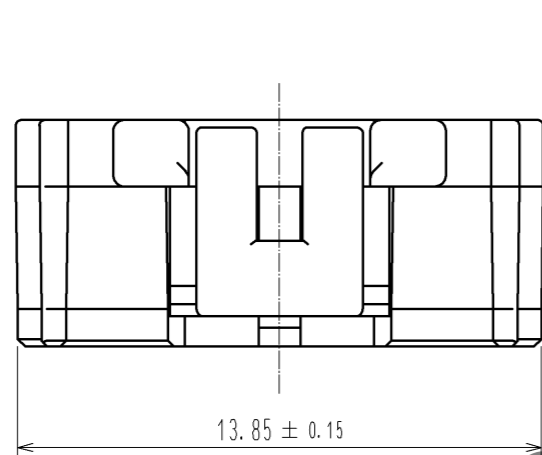
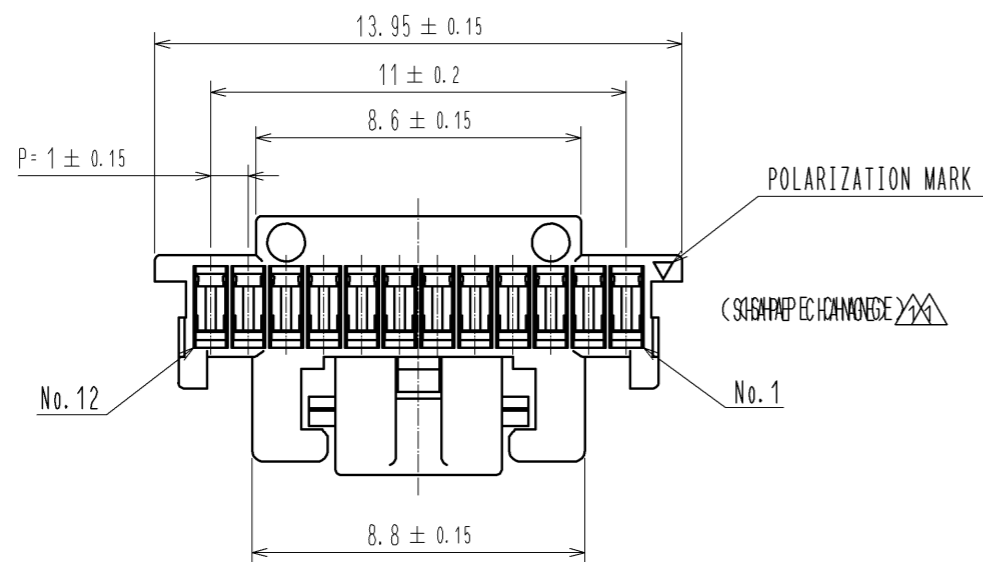


Jul.1.2024 Copyright 2024 HIROSE ELECTRIC CO., LTD. All Rights Reserved.
 In case of consideration for using Automotive equipment / device which demand high reliability, kindly contact our sales window correspondents.



HRS DRAWING FOR REFERENCE

NOTE1. PER PACK:100 PIECES

NO.		MATERIAL		FINISH . REMARKS		1	PBT	UL94V-0. BLACK
UNITS	mm	SCALE	COUNT	DESCRIPTION OF REVISIONS		DESIGNED	CHECKED	DATE
		5 : 1	1	DIS-H-005903		KT. ISHII	OM. MIYAMOTO	11.06.16
HIROSE ELECTRIC CO., LTD.		APPROVED :	KI. AKIYAMA	10.12.14	DRAWING NO. EDC3-329676-00			
		CHECED :	OM. MIYAMOTO	10.12.14	PART NO. DF50A-12S-1C			
		DESIGNED :	TT. OHSAKO	10.12.14	CODE NO. CL665-1022-3-00			
		DRAWN :	TT. OHSAKO	10.12.14	1			