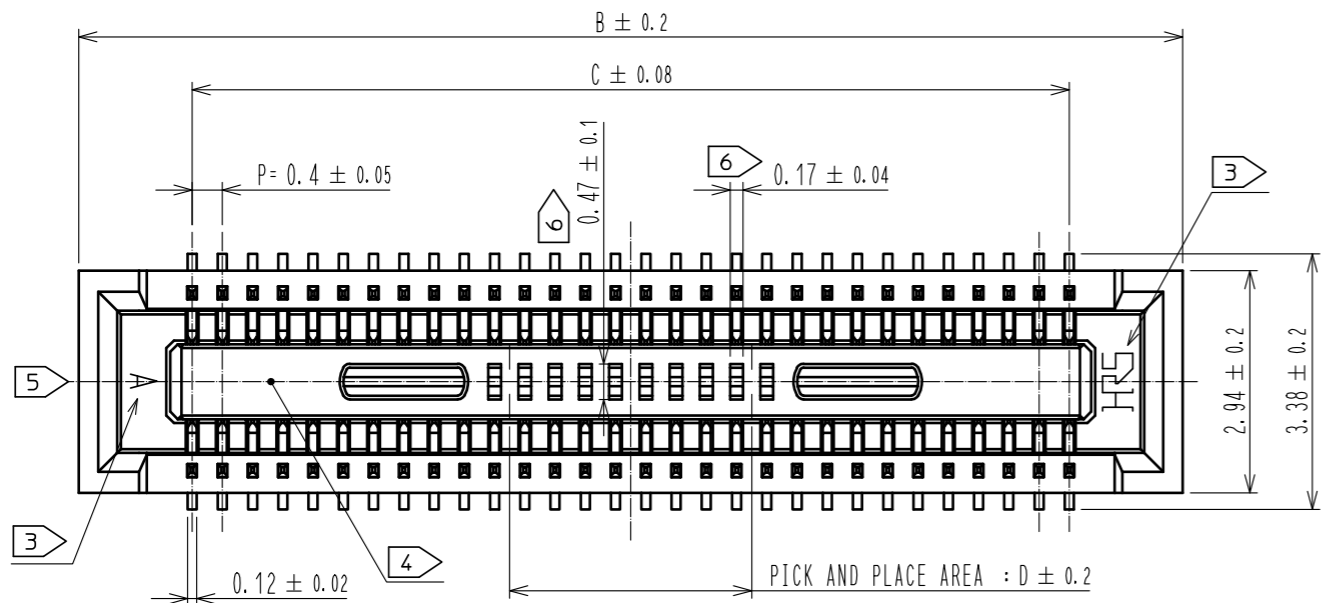
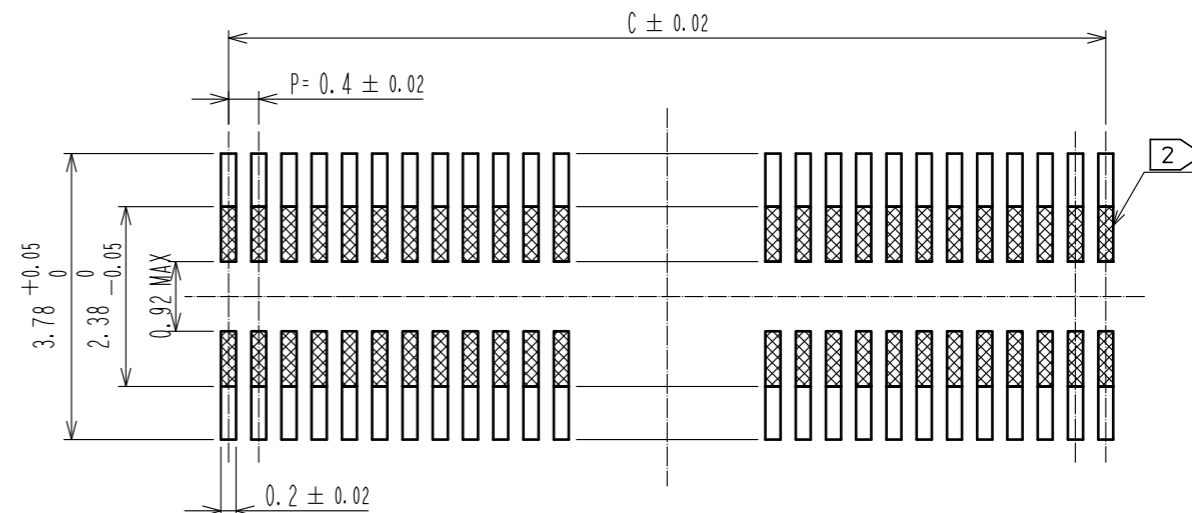


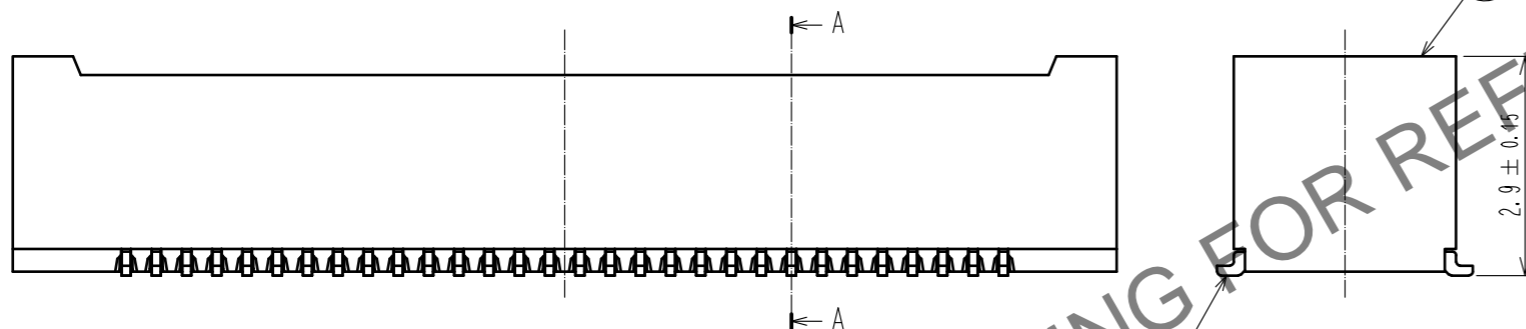
Jun.1.2024 Copyright 2024 HIROSE ELECTRIC CO., LTD. All Rights Reserved.
 In case of consideration for using Automotive equipment / device which demand high reliability, kindly contact our sales window correspondents.



RECOMMENDED PATTERN



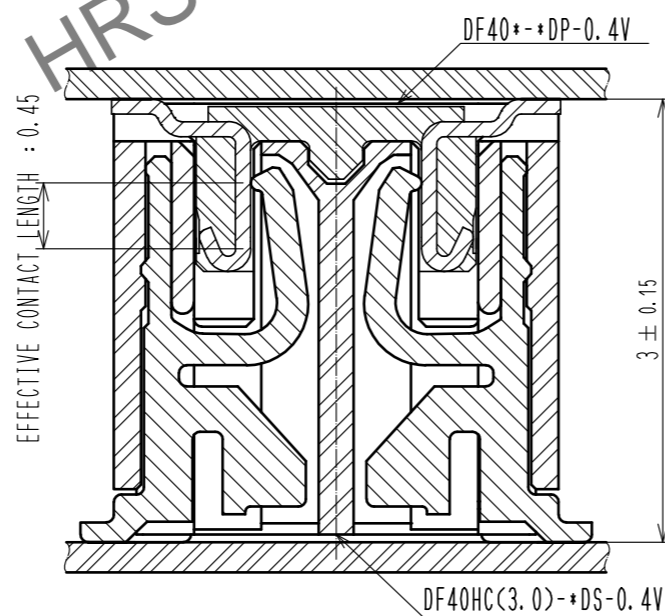
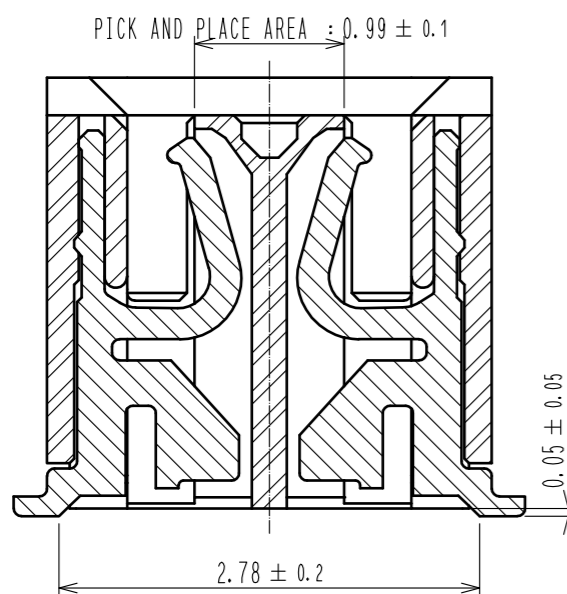
RECOMMENDED METAL MASK THICKNESS : 120 μm
 RECOMMENDED METAL MASK OPENING RATIO : 80% FOR LEAD PAD



- NOTES)
1. ALL LEADS CO-PLANARITY SHALL BE 0.1 MAX.
 2. IS NO PATTERN AREA OTHER THAN THE SAME CIRCUIT.
 3. HRS MARK AND CAV NO. ARE INDICATED IN APPROXIMAL POSITION SHOWN.
 4. GATE POSITION OF 60 TO 100 POSITIONS IS POSITIONED IN PPROXIMAL AREA SHOWN.
 5. GATE POSITION OF 10 TO 50 POSITIONS IS POSITIONED IN APPROXIMAL AREA SHOWN.
A PART OF THE WALL COULD BE NOTCHED FOR SETTING GATE.
 6. 60 TO 100 POSITIONS HAVE CONCAVE PORTION.

A-A(20:1)

ENGAGEMENT FIGURE (20:1)



PART NO.	CODE NO.	B	C	D
DF40HC(3.0)-20DS-0.4V(51)	—	6.6	3.6	1.0
DF40HC(3.0)-24DS-0.4V(51)	—	7.4	4.4	1.2
DF40HC(3.0)-30DS-0.4V(51)	CL684-4098-0-51	8.6	5.6	1.5
DF40HC(3.0)-40DS-0.4V(51)	CL684-4169-6-51	10.6	7.6	3.2
DF40HC(3.0)-44DS-0.4V(51)	CL684-4076-7-51	11.4	8.4	3.2
DF40HC(3.0)-50DS-0.4V(51)	CL684-4099-2-51	12.6	9.6	3.2
DF40HC(3.0)-60DS-0.4V(51)	CL684-4100-0-51	14.6	11.6	3.2
DF40HC(3.0)-70DS-0.4V(51)	CL684-4138-2-51	16.6	13.6	3.2
DF40HC(3.0)-80DS-0.4V(51)	CL684-4180-9-51	18.6	15.6	3.2
DF40HC(3.0)-90DS-0.4V(51)	CL684-4161-4-51	20.6	17.6	3.2
DF40HC(3.0)-100DS-0.4V(51)	—	22.6	19.6	3.2

NO.	MATERIAL	FINISH . REMARKS	NO.	MATERIAL	FINISH . REMARKS
2	PHOSPHOR BRONZE	CONTACT AREA:GOLD 0.05 μm MIN SMT LEAD:GOLD 0.05 μm MIN UNDERPLATING:NICKEL 1 μm MIN	6	PS	CLEAR, REINFORCEMENT COLLAR
			5	PS	BLACK, PLASTIC REEL
			4	POLYESTER	CLEAR, COVER TAPE
1	LCP	BLACK, UL94V-0	3	PS	CLEAR, EMBOSSED CARRIER TAPE

UNITS	SCALE	COUNT	DESCRIPTION OF REVISIONS	DESIGNED	CHECKED	DATE
mm	10:1	1	DIS-H-00002752	SH. HOSODA	TS. MIYAZAKI	17.10.10

APPROVED	CHECED	DESIGNED	DRAWN	DATE
: KH. IKEDA	: AR. TAKAHASHI	: TK. SUZUKI	: TK. SUZUKI	08.06.27
				08.06.27
				08.06.26
				08.06.26

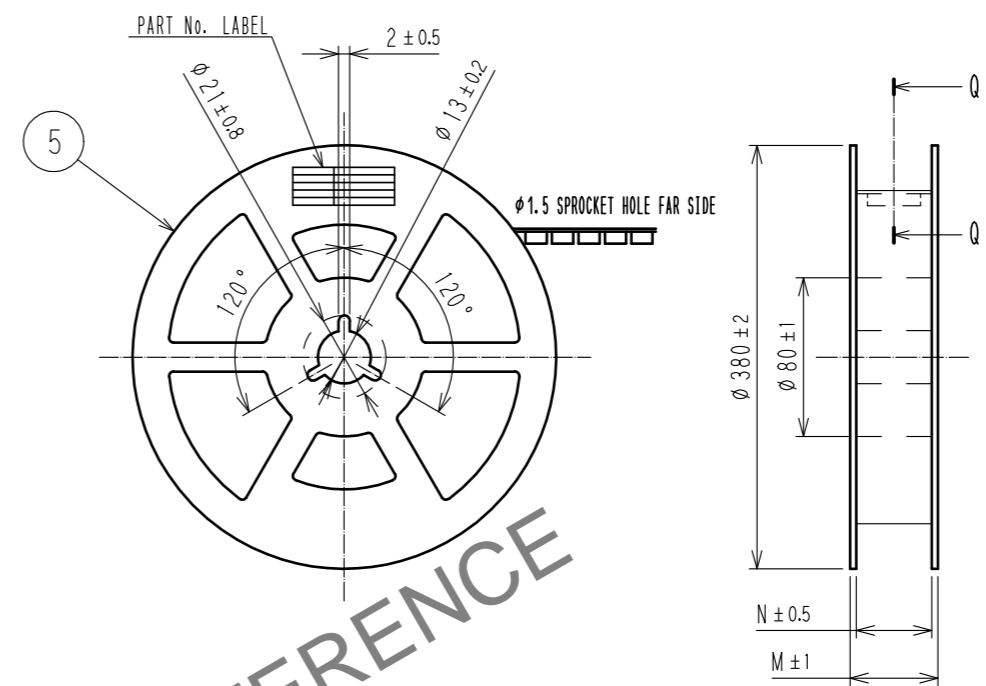
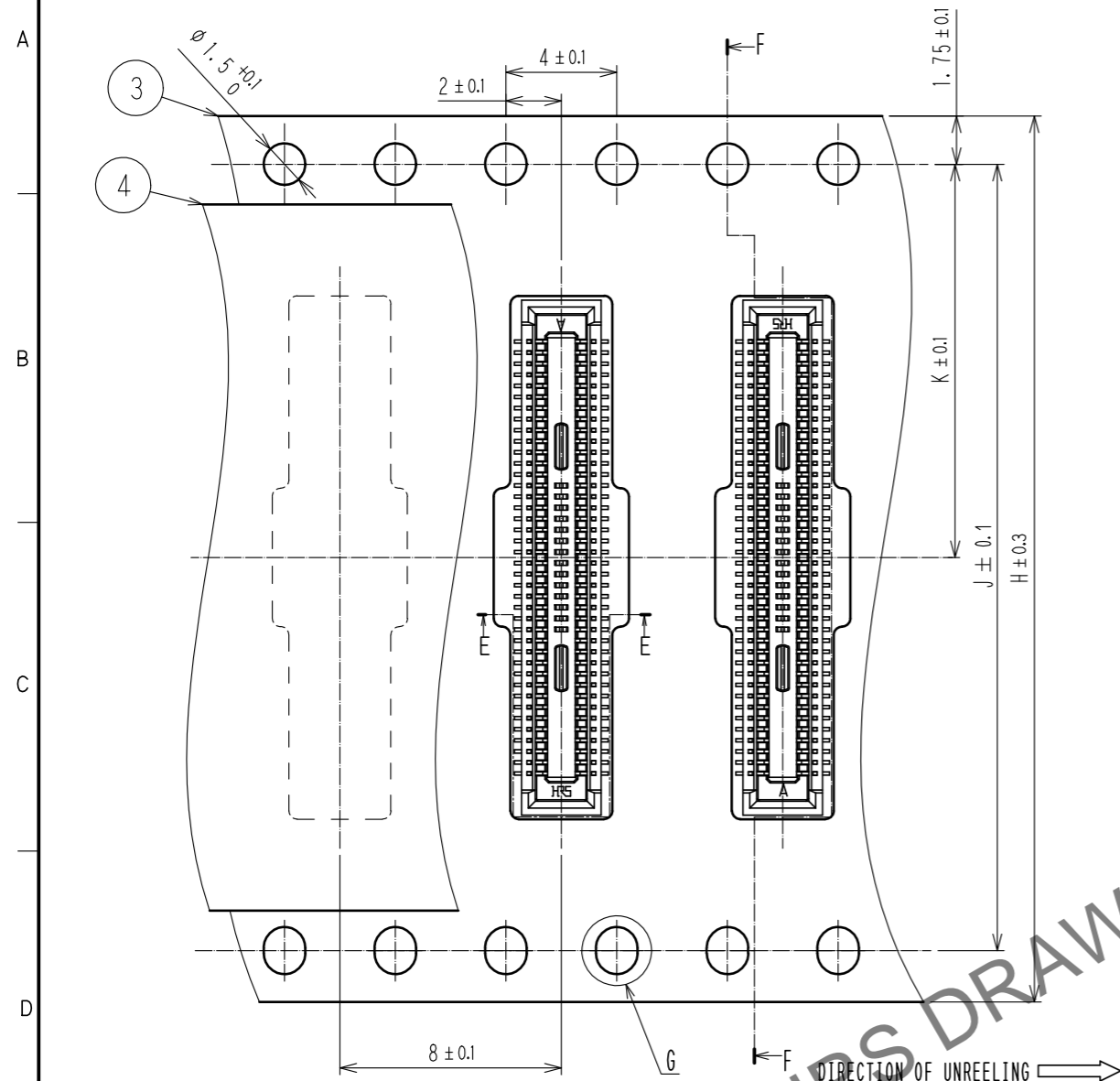
DRAWING NO.	PART NO.	CODE NO.
EDC3-315881-01	DF40HC(3.0)-*DS-0.4V(51)	CL684

Jun.1.2024 Copyright 2024 HIROSE ELECTRIC CO., LTD. All Rights Reserved.
In case of consideration for using Automotive equipment / device which demand high reliability, kindly contact our sales window correspondents.

EMBOSSED CARRIER TAPE (FREE)

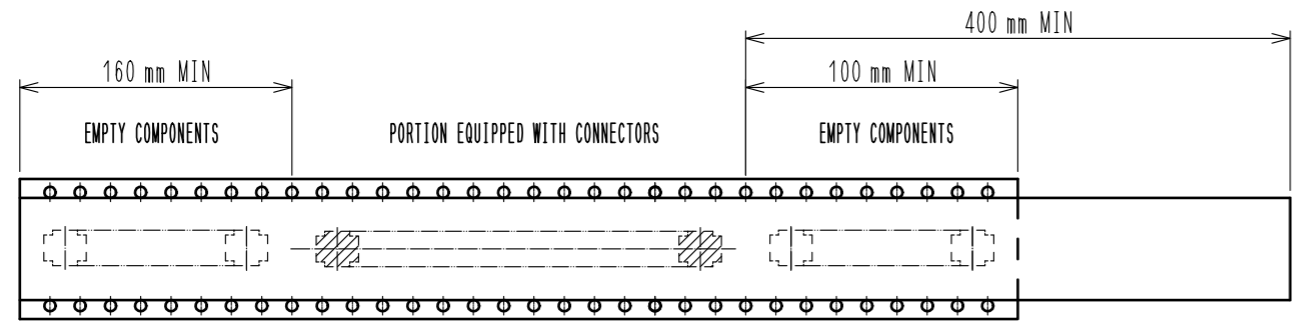
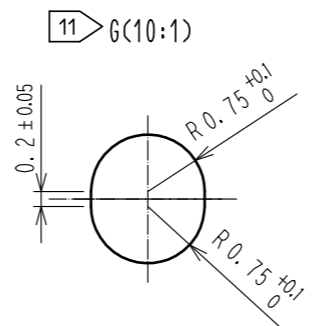
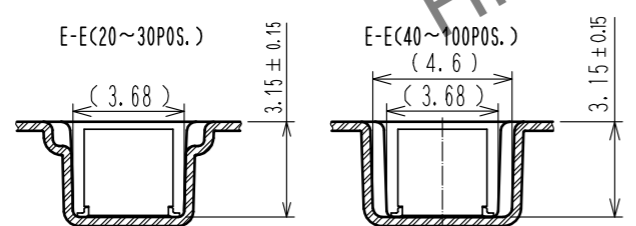
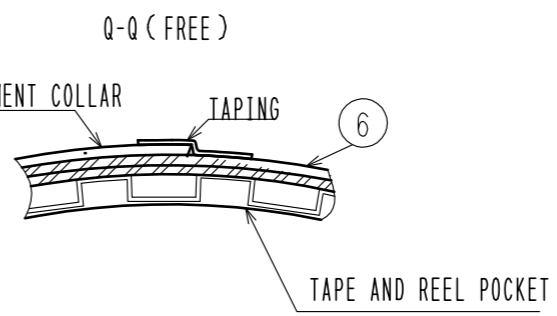
STYLE AND DIMENSION OF REEL(FREE SIZE)

10> DETAIL OF PART No. LABEL



製造年月日	** ** *
製品コード	CL684-****-51
製品名	DF40HC(3.0)-*DS-0.4V(51)
数量	3000
納入者	ヒロセ電機(株)

製品名	H	J	K	L	M	N
DF40HC(3.0)-20DS-0.4V(51)	16	—	7.5	6.9	21.5	17.5
DF40HC(3.0)-24DS-0.4V(51)	16	—	7.5	7.7	21.5	17.5
DF40HC(3.0)-30DS-0.4V(51)	24	—	11.5	8.9	29.5	25.5
DF40HC(3.0)-40DS-0.4V(51)	24	—	11.5	10.9	29.5	25.5
DF40HC(3.0)-44DS-0.4V(51)	24	—	11.5	11.7	29.5	25.5
DF40HC(3.0)-50DS-0.4V(51)	24	—	11.5	12.9	29.5	25.5
DF40HC(3.0)-60DS-0.4V(51)	24	—	11.5	14.9	29.5	25.5
DF40HC(3.0)-70DS-0.4V(51)	32	28.4	14.2	16.9	37.5	33.5
DF40HC(3.0)-80DS-0.4V(51)	32	28.4	14.2	18.9	37.5	33.5
DF40HC(3.0)-90DS-0.4V(51)	44	40.4	20.2	20.9	49.5	45.5
DF40HC(3.0)-100DS-0.4V(51)	44	40.4	20.2	22.9	49.5	45.5



- NOTES
- PER REEL 3000 CONNECTORS.
 - THE DIMENSIONS IN PARENTHESES ARE FOR REFERENCE.
 - REFER TO JIS C 0806(PACKING OF COMPONENTS FOR AUTOMATIC HANDLING)
 - DETAIL OF PART NO. LABEL IS WRITTEN IN JAPANESE.
PART NO. LABEL DESCRIBES THE FOLLOWING INFORMATION FROM TOP.
PRODUCTION DATE:
PRODUCT CODE: CL684-****-51
PART NUMBER: DF40HC(3.0)-*DS-0.4V(51)
NUMBER OF PIECES: 3000 PIECES
SUPPLIER NAME: HIROSE ELECTRIC CO., LTD.
 - 20 TO 60 POSITIONS EMBOSSED CARRIER TAPE HAS THE SPROCKET HOLE ON ONE SIDES.
 - AFTER PACKAGING, ROLL 2 METERS OF THE REINFORCEMENT COLLAR TO OUTER CIRCUMFERENCE OF TAPE AND REEL POCKET, AND TAPE DOWN AT THE END THE COLLAR.

HRS	DRAWING NO.	EDC3-315881-01
	PART NO.	DF40HC(3.0)-*DS-0.4V(51)
	CODE NO.	CL684