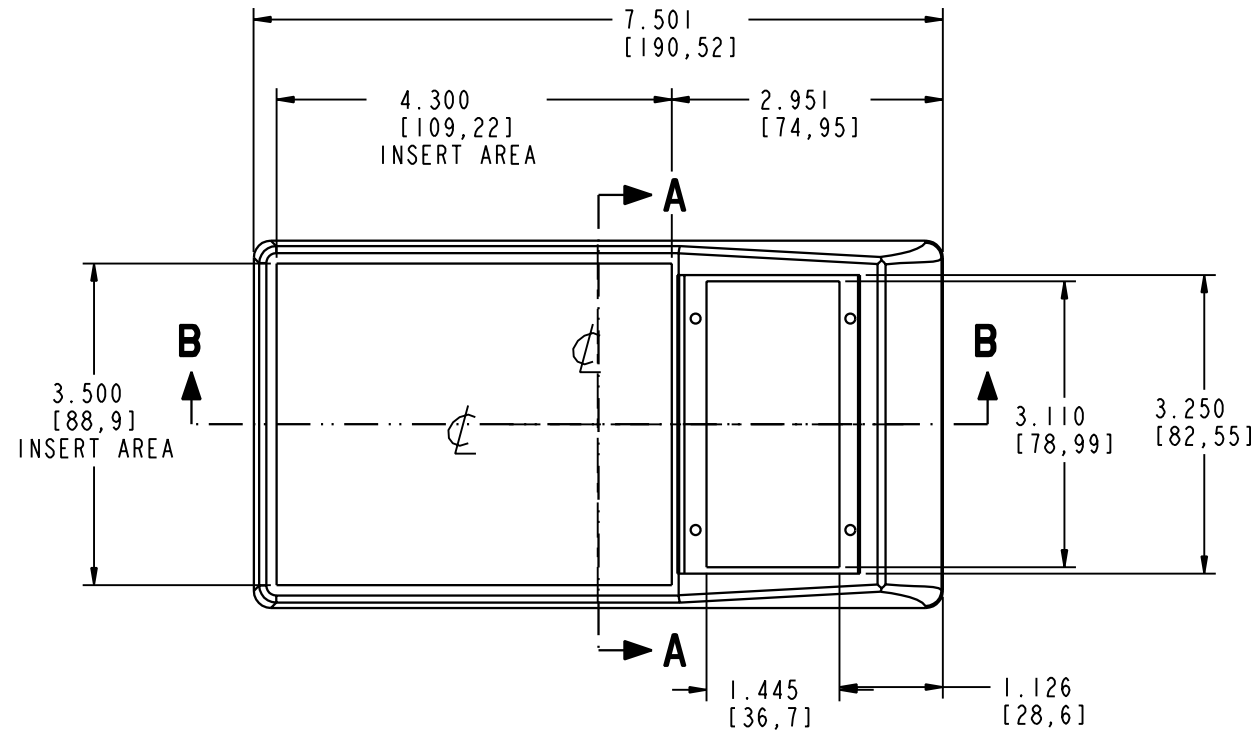
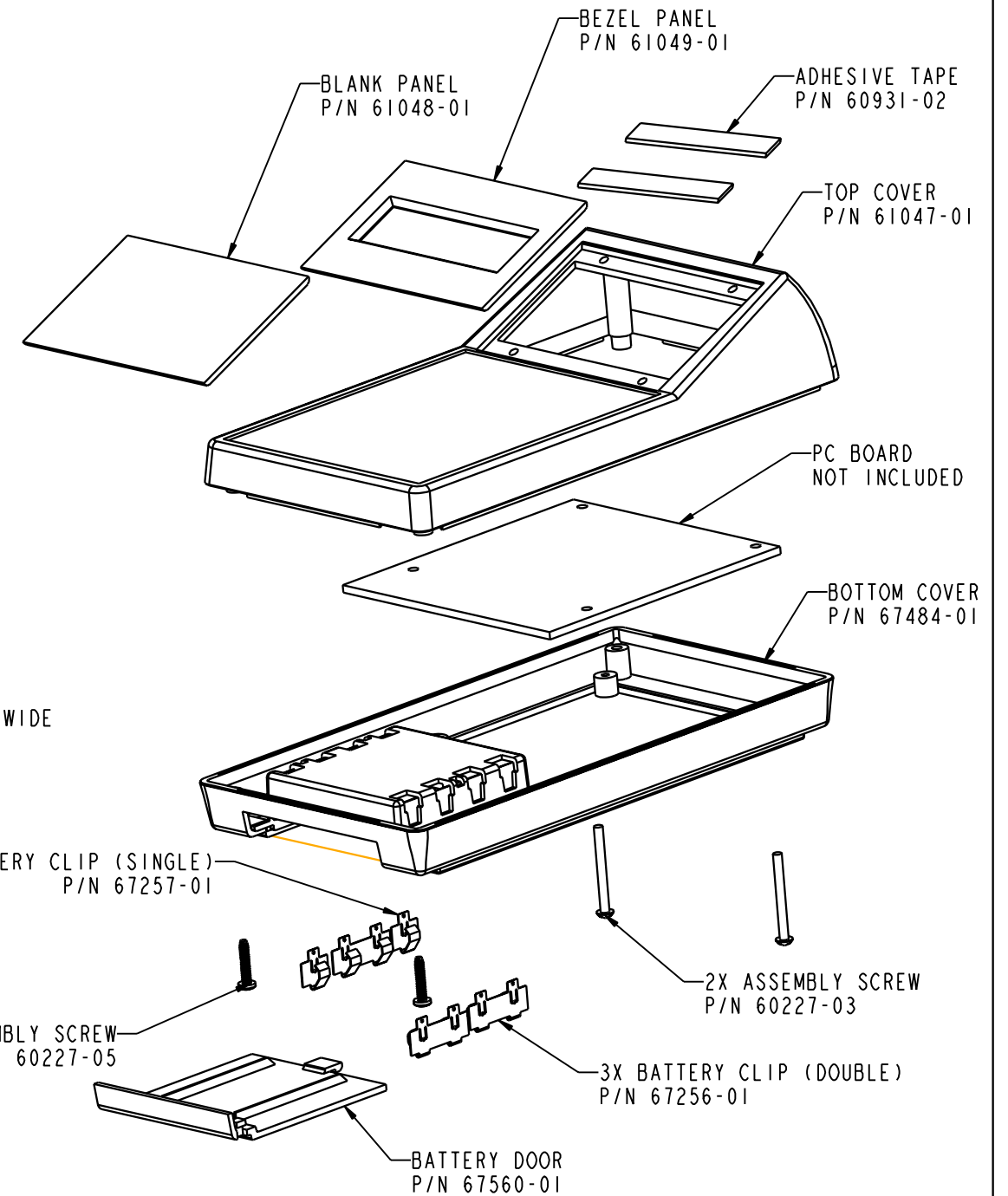
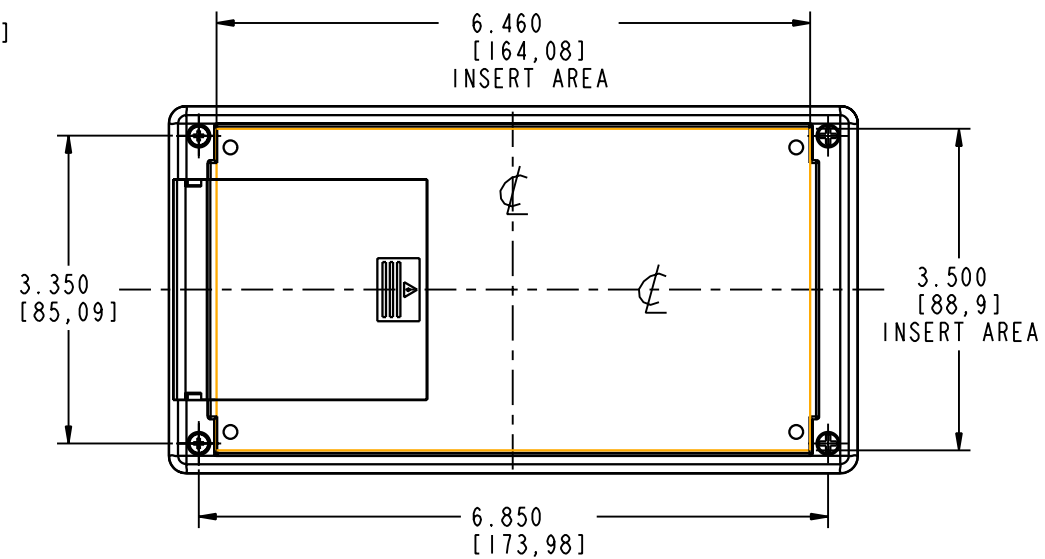
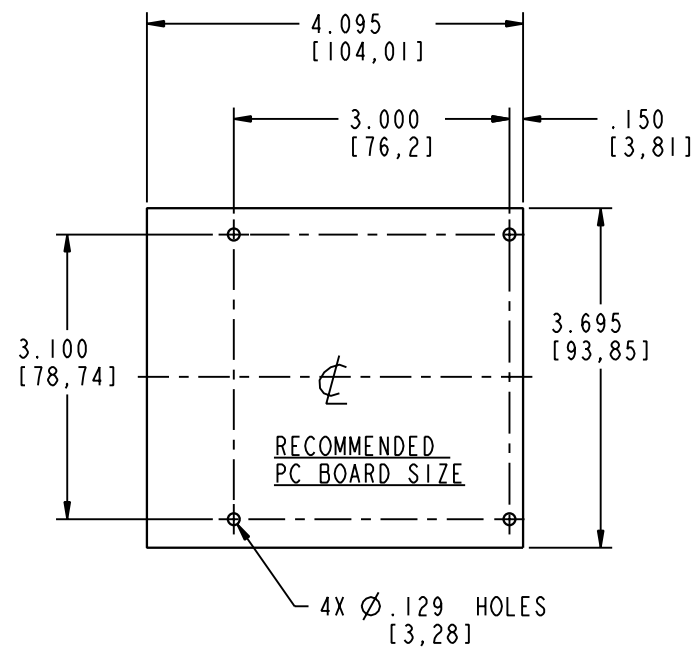
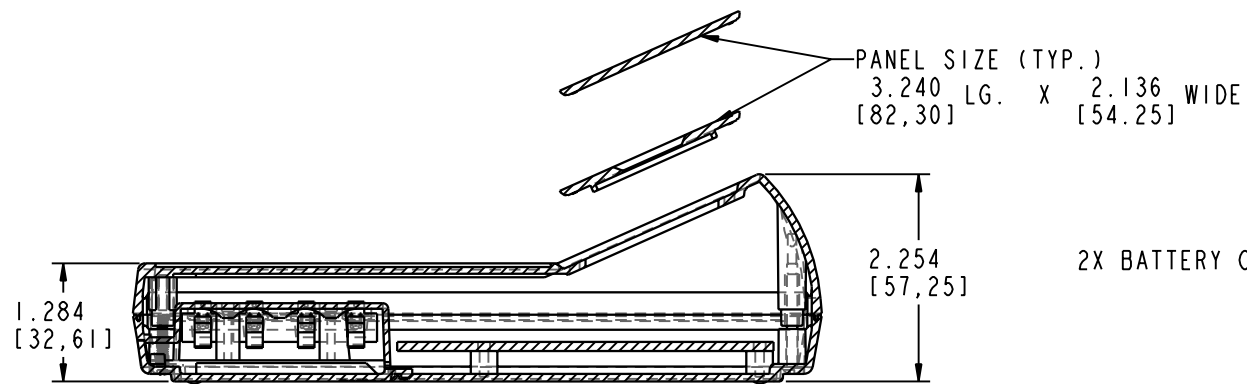


**SECTION A-A**



**SECTION B-B**



**PACINTEC**<sup>®</sup>  
1-610-361-4200

**HPLS-4AA**

VISIT **PACINTEC**<sup>®</sup>  
ON THE WORLD WIDE WEB  
[www.pactecenclosures.com](http://www.pactecenclosures.com)

COLOR / MATERIAL CODE		
COLOR	94HB	94VO
BLACK	000	028
P. C. BONE	039	060

DRAWING NUMBER	REV
69442	B

# Mouser Electronics

Authorized Distributor

Click to View Pricing, Inventory, Delivery & Lifecycle Information:

[PacTec:](#)

[70074-510-000 HPLS-4AA-XH Black Kit](#) [68443-510-000 HPLS-4AA Black Kit](#) [68446-510-039 HPLS-4AA Bone Kit](#)