

**Product number C14115\_PF-SOCKET-CXA15-18**

Family	Mirella	FWHM	N/A degrees
Type	Base part	Efficiency	-
LED	CXA/B 1816 & CXA/B 1820 & CXA 1850	cd/lm	-
Color	White	Gerber File	Available
Diameter	38 mm		
Height	4.3 mm		
Style	Round		
Optic Material	-		
Holder Material	PC		
Fastening	["screw"]		
Status	Production ready		

**Product number C13085\_MIRELLA-50-S-PF**

Family	Mirella	FWHM	23 degrees
Type	Reflector	Efficiency	89 %
LED	CXA/B 1816 & CXA/B 1820 & CXA 1850	cd/lm	2.800
Color	Metal	Gerber File	Available
Diameter	49.9 mm		
Height	24 mm		
Style	Round		
Optic Material	PC		
Holder Material	-		
Fastening	["socket"]		
Status	Production ready		

**Product number C13085\_MIRELLA-50-S-PF**

Family	Mirella	FWHM	25 degrees
Type	Reflector	Efficiency	85 %
LED	CXA/B 1816 & CXA/B 1820 & CXA 1850	cd/lm	2.700
Color	Metal	Gerber File	Available
Diameter	49.9 mm		
Height	24 mm		
Style	Round		
Optic Material	PC		
Holder Material	-		
Fastening	["socket"]		
Status	Production ready		

**Product number CN14276\_MIRELLA-50-S-PF**

Family	Mirella	FWHM	25 degrees
Type	RefPack	Efficiency	85 %
LED	CXA/B 1816 & CXA/B 1820 & CXA 1850	cd/lm	2.700
Color	Metal	Gerber File	Available
Diameter	-		
Height	-		
Style	Round		
Optic Material	-		
Holder Material	-		
Fastening	["socket"]		
Status	Production ready		

**Product number CN14277\_MIRELLA-50-M-PF**

Family	Mirella	FWHM	34 degrees
Type	RefPack	Efficiency	84 %
LED	CXA/B 1816 & CXA/B 1820 & CXA 1850	cd/lm	1.900
Color	Clear	Gerber File	Available
Diameter	-		
Height	-		
Style	Round		
Optic Material	-		
Holder Material	-		
Fastening	""		
Status	Production ready		

**Product number C13087\_MIRELLA-50-W-PF**

Family	Mirella	FWHM	43 degrees
Type	Reflector	Efficiency	87 %
LED	CXA/B 1816 & CXA/B 1820 & CXA 1850	cd/lm	1.370
Color	Metal	Gerber File	Available
Diameter	49.9 mm		
Height	24 mm		
Style	Round		
Optic Material	PC		
Holder Material	-		
Fastening	["socket"]		
Status	Production ready		

**Product number C13087\_MIRELLA-50-W-PF**

Family	Mirella	FWHM	45 degrees
Type	Reflector	Efficiency	84 %
LED	CXA/B 1816 & CXA/B 1820 & CXA 1850	cd/lm	1.300
Color	Metal	Gerber File	Available
Diameter	49.9 mm		
Height	24 mm		
Style	Round		
Optic Material	PC		
Holder Material	-		
Fastening	["socket"]		
Status	Production ready		

**Product number CN14278\_MIRELLA-50-W-PF**

Family	Mirella	FWHM	45 degrees
Type	RefPack	Efficiency	84 %
LED	CXA/B 1816 & CXA/B 1820 & CXA 1850	cd/lm	1.300
Color	Metal	Gerber File	Available
Diameter	-		
Height	-		
Style	-		
Optic Material	-		
Holder Material	-		
Fastening	""		
Status	Production ready		



Product number C13806\_MIRELLA-XW-PF

Family	Mirella	FWHM	73 degrees
Type	Reflector	Efficiency	89 %
LED	CXA/B 1816 & CXA/B 1820 & CXA 1850	cd/lm	0.620
Color	White	Gerber File	Available
Diameter	50 mm		
Height	23.9 mm		
Style	Round		
Optic Material	HRPC		
Holder Material	-		
Fastening	["socket"]		
Status	Production ready		

**NOTE: The typical divergence will be changed by different color, chip size and chip position tolerance. The typical total divergence is the full angle measured where the luminous intensity is half of the peak value.**



## PRODUCT DATASHEET

### Mirella series

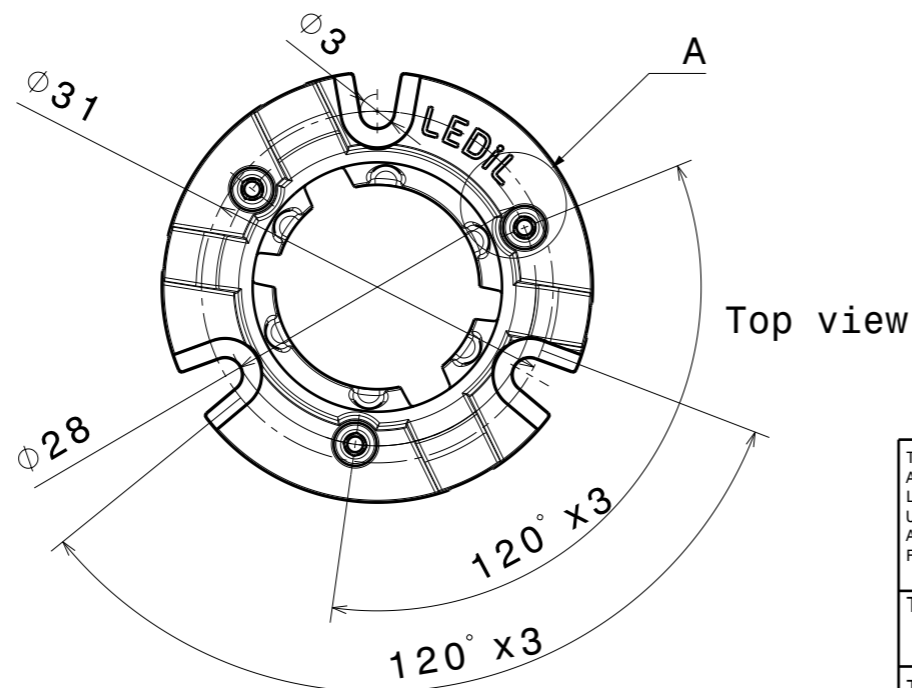
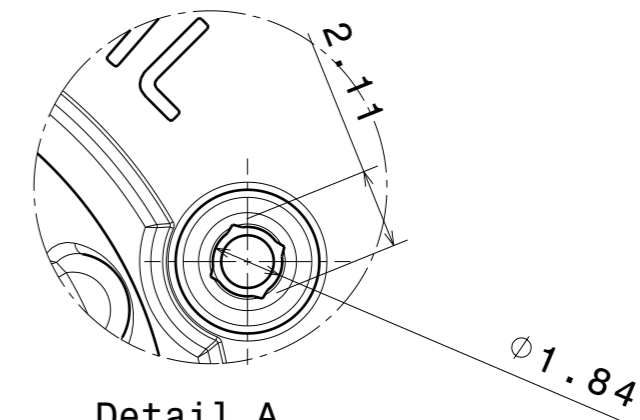
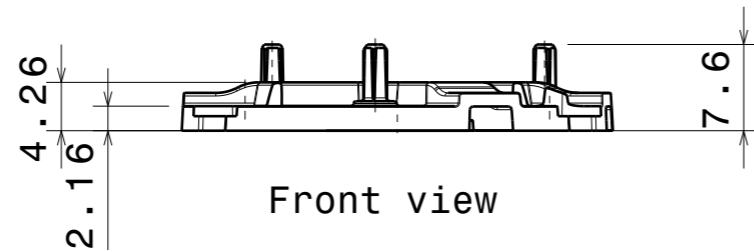
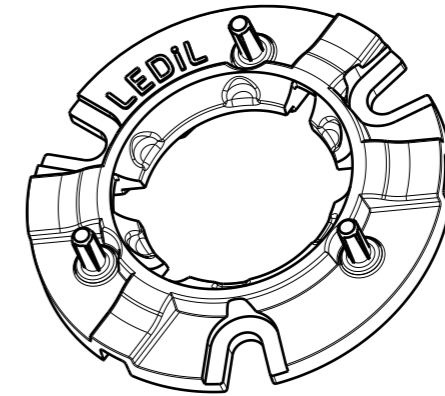
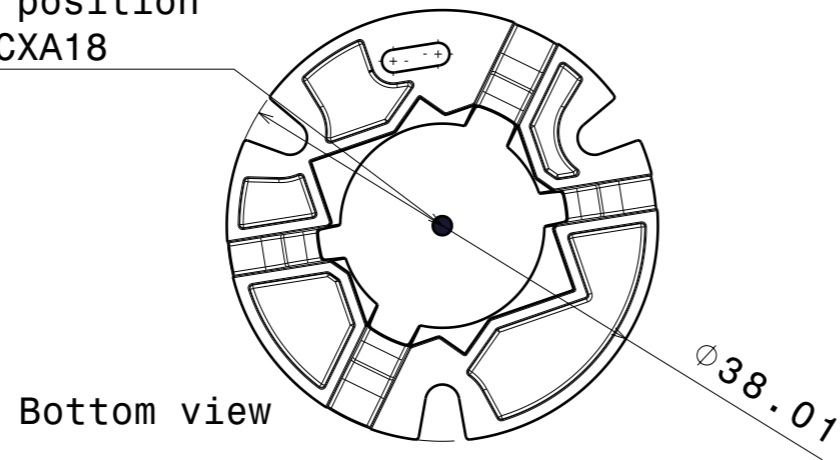
last update 28/2/2018

#### GENERAL INFORMATION

- Product series especially designed & optimized for CXA/B 1816 & CXA/B 1820 & CXA 1850 series of LEDs.
- Special care taken to make light distribution as uniform as possible.

Note! Due to use of high power COB's with this product, special attention to proper thermal design is highly recommended. LEDiL has no liability for direct, indirect or consecutive damages arising from the LEDiL products being used outside of the recommended temperature range.

LED middle position  
CXA15 and CXA18



INDEX	PART NO	DESCRIPTION	MATERIAL	COLOUR
1	C14115	PF-SOCKET-CXA15/18	PC	white

Tolerances if not otherwise shown  
According to DIN ISO 2768-1  
Linear measures:  
Up to 30mm class M, otherwise class C.  
According to DIN ISO 2768-2  
Form and position: class L

**LEDiL** LediL Oy  
Salorankatu 10  
FIN 24240 SALO  
Finland

THIRD ANGLE PROJECTION:

DRAWING TITLE  
**Datasheet\_PF-SOCKET-CXA15/18**

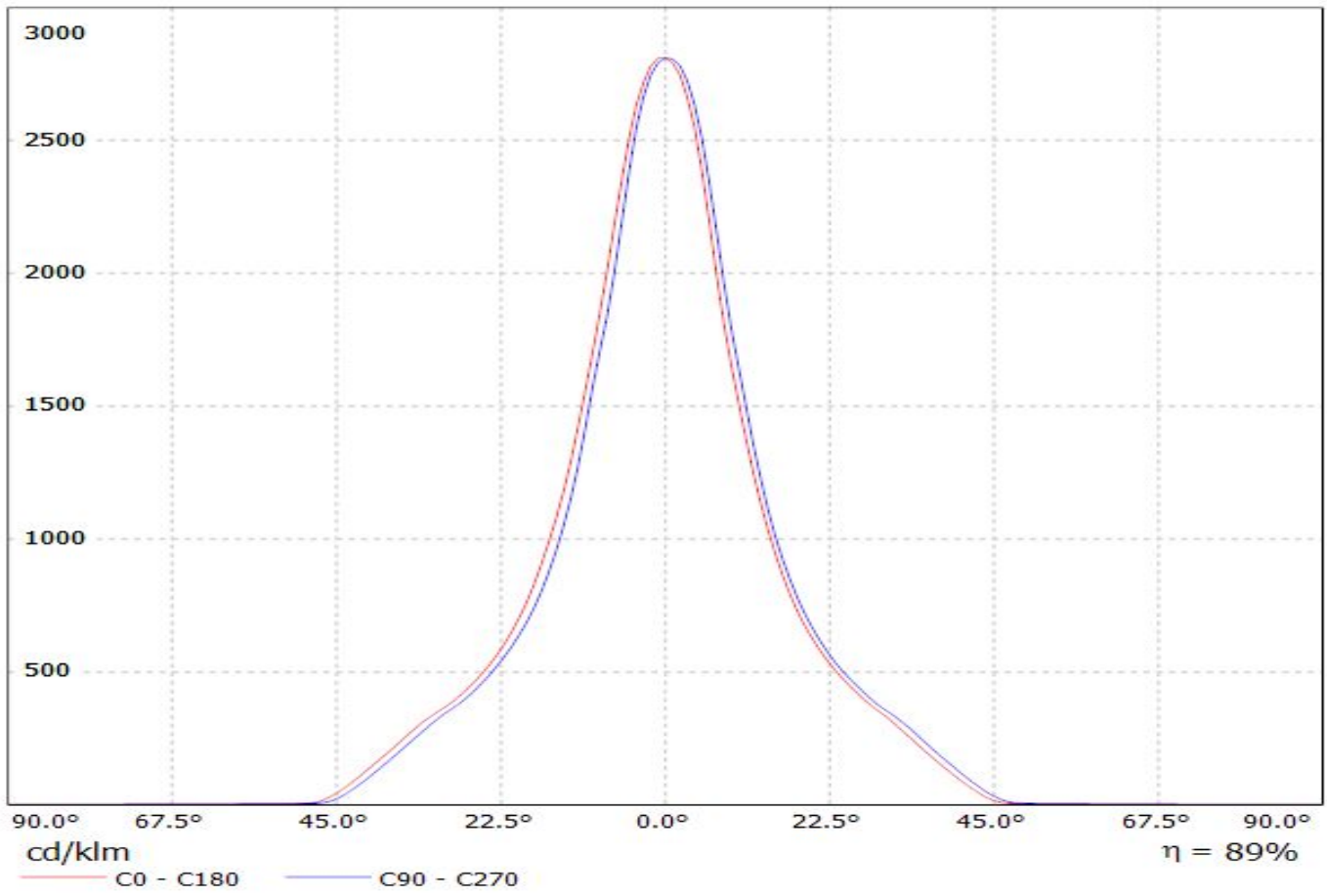
This drawing is the property  
of LEDiL Oy. It may not be  
reproduced, copied or  
communicated without a written  
agreement with LEDiL Oy.

SIZE PART NUMBER  
**A3 C14115**

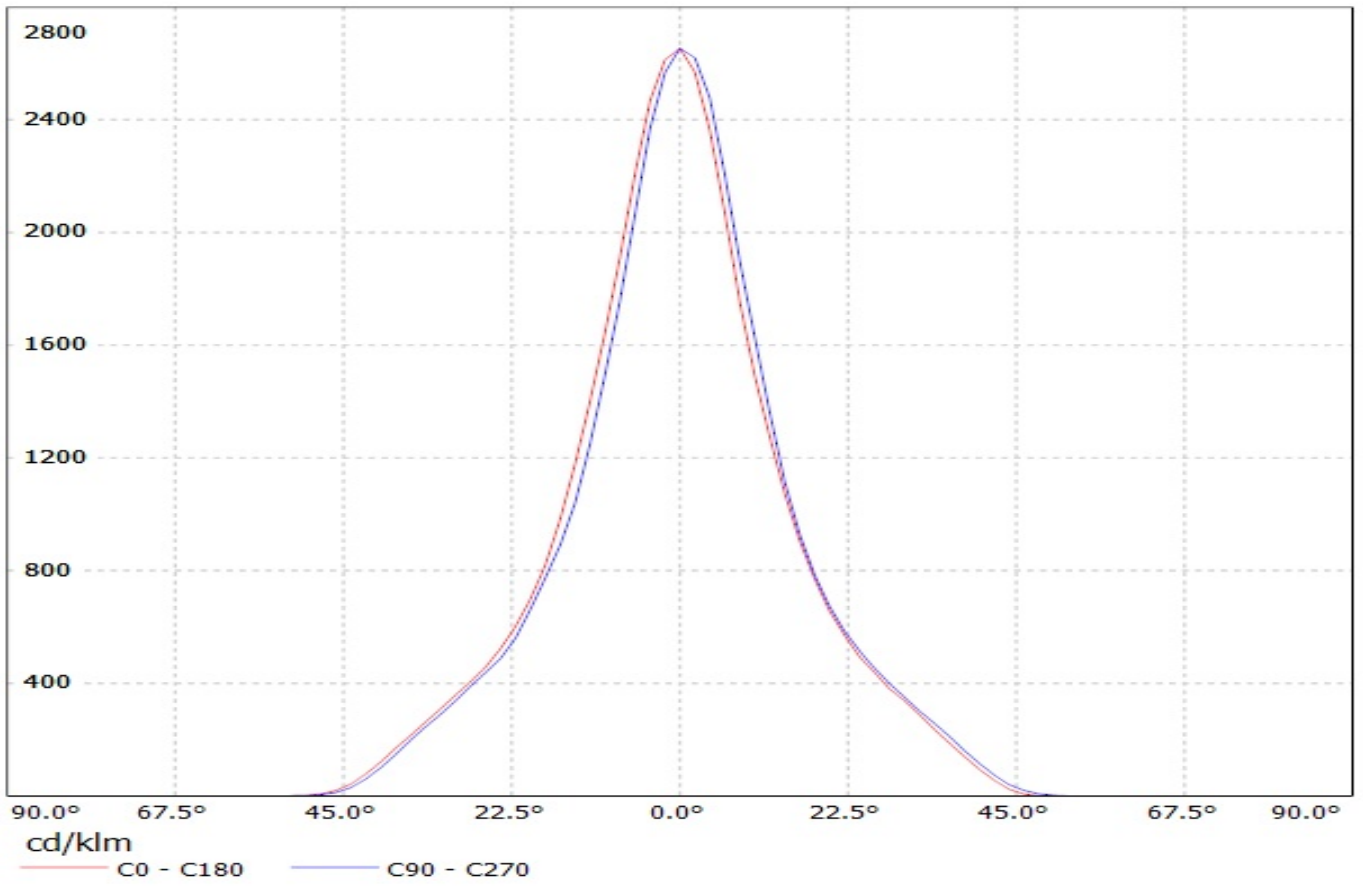
SCALE 3:2 WEIGHT 2 g SHEET 1/1

Luminaire: LEDiL Oy C13085\_MIRELLA-50-S-PF\_(CXA1816)

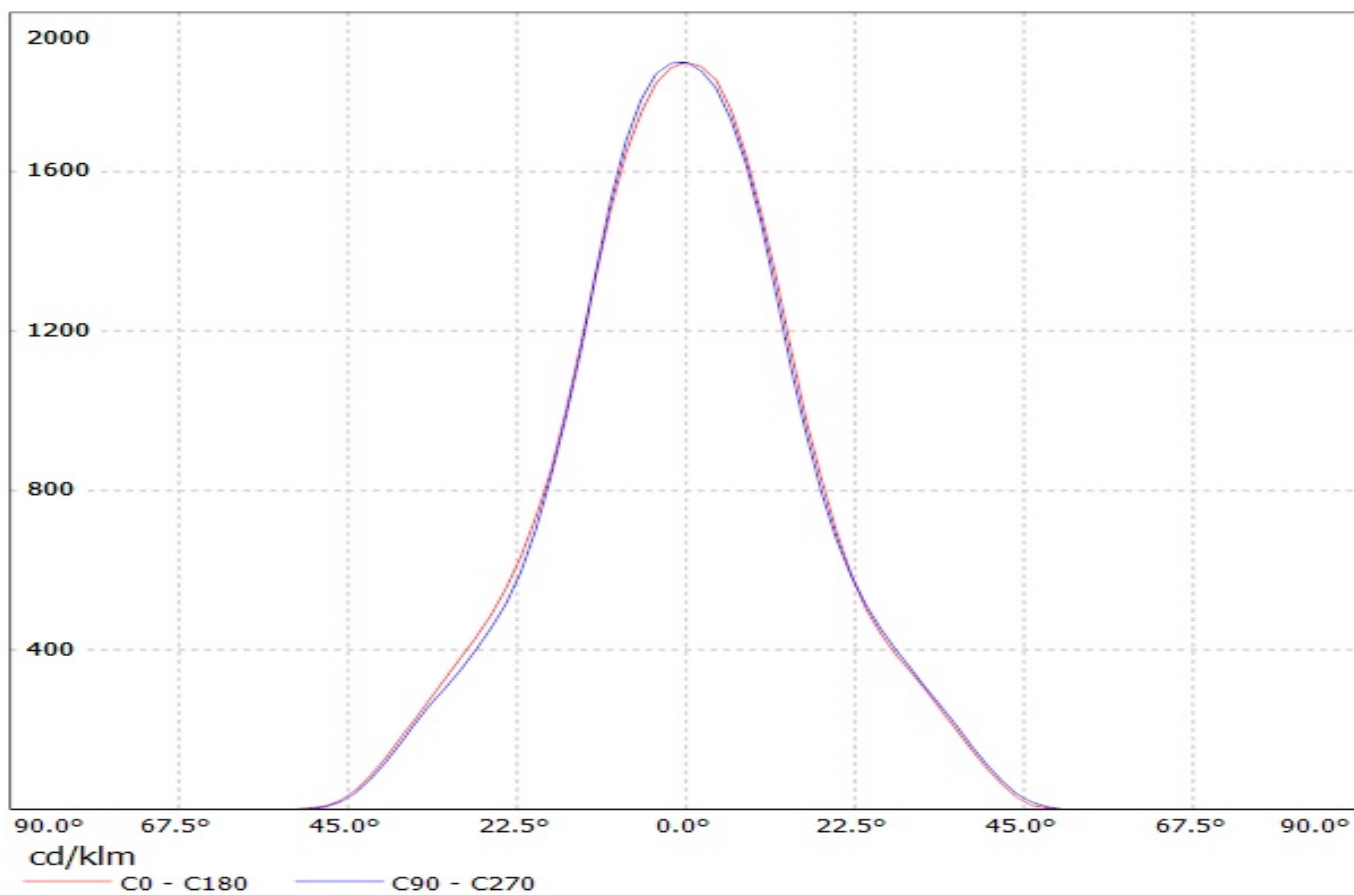
Lamps: 1 x CREE\_CXA1816\_(CXA1816-30F-P2-N0H-00001)\_1077.67lm@250mA\_P=8.73226W\_I=249.8mA



Luminaire: LEDil Oy CN14276\_MIRELLA-50-S-PF\_(CXA1816) Efficiency=85%  
Lamps: 1 x Cree CXA1816 (941lm @ 250mA) CCT=3200K P=8.8W I=250mA



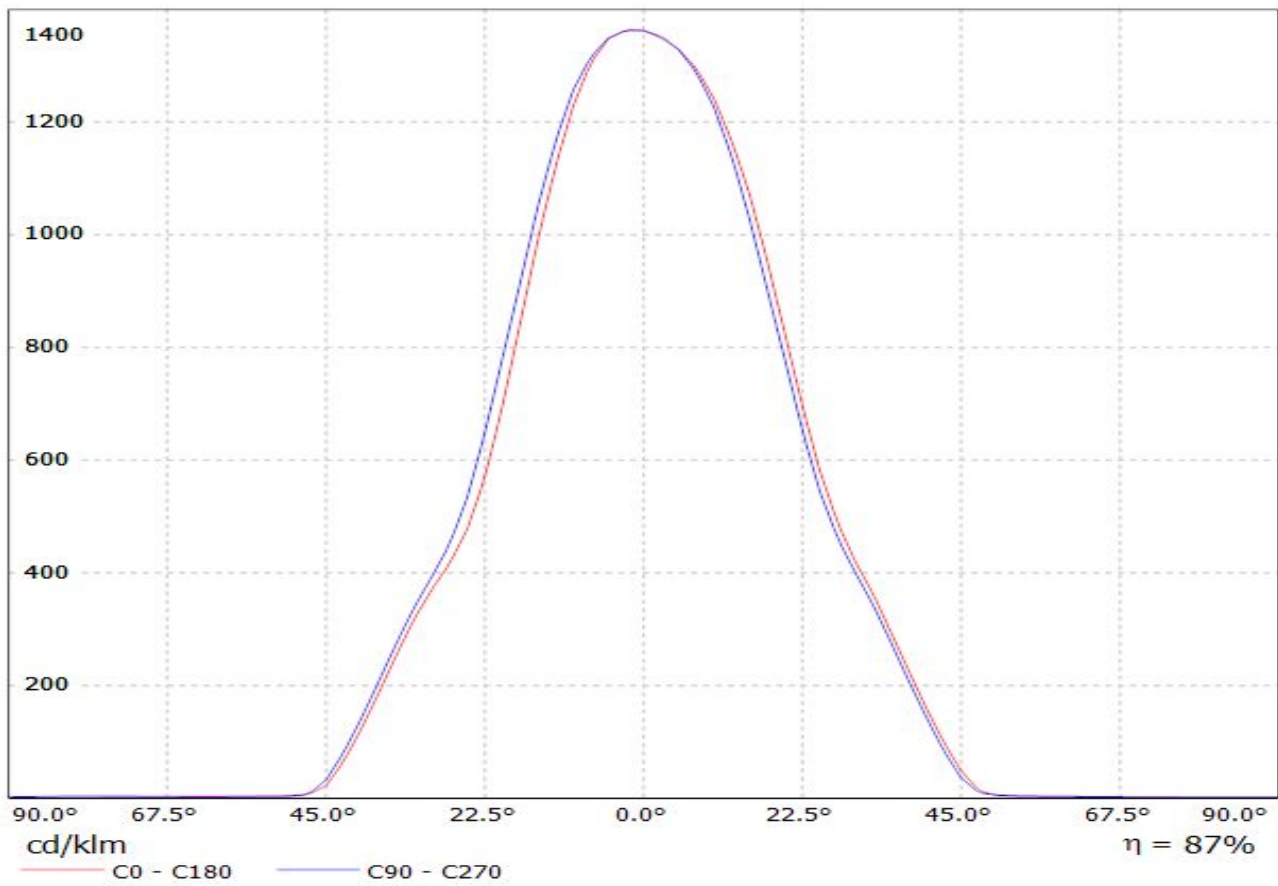
Luminaire: LEDil Oy CN14277\_MIRELLA-50-M-PF\_(CXA1816) Efficiency=84%  
Lamps: 1 x Cree CXA1816 (941lm @ 250mA) CCT=3200K P=8.8W I=250mA



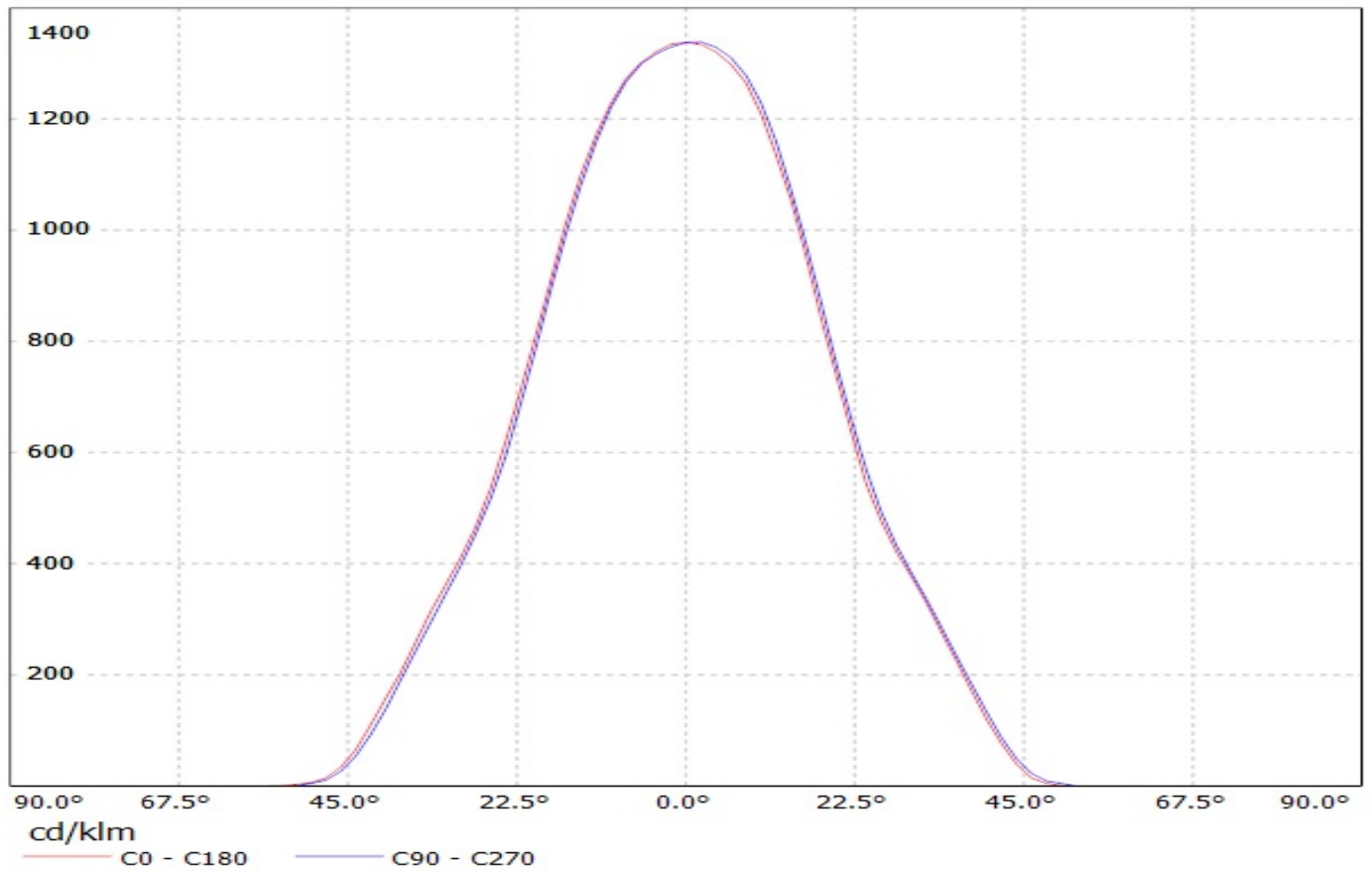


Luminaire: LEDiL Oy C13087\_MIRELLA-50-W-PF\_(CXA1816)

Lamps: 1 x CREE\_CXA1816\_(CXA1816-30F-P2-N0H-00001)\_1077.67lm@250mA\_P=8.73226W\_I=249.8mA

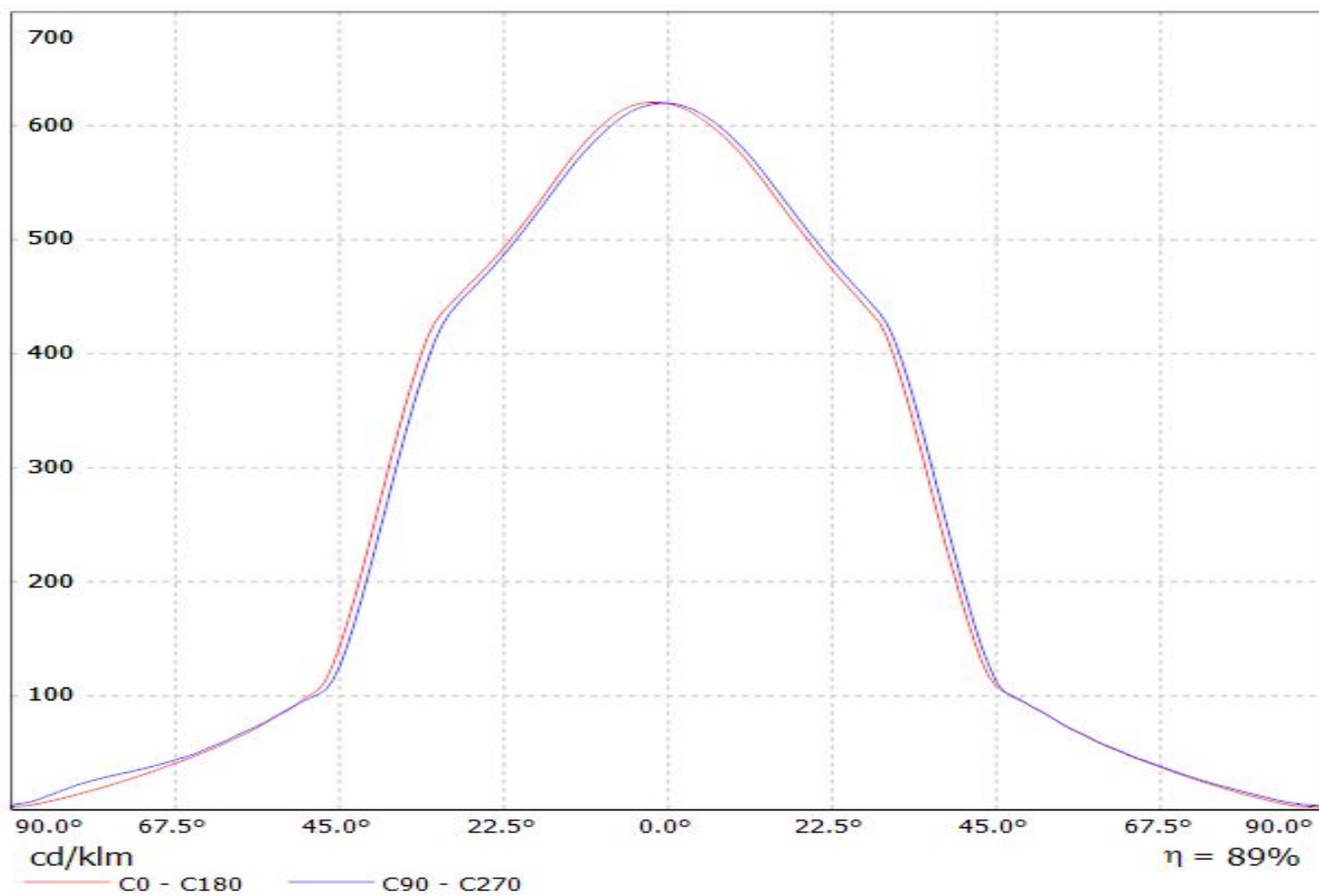


Luminaire: LEDil Oy CN14278\_MIRELLA-50-W-PF\_(CXA1816) Efficiency=84%  
Lamps: 1 x Cree CXA1816 (941lm @ 250mA) CCT=3200K P=8.8W I=250mA



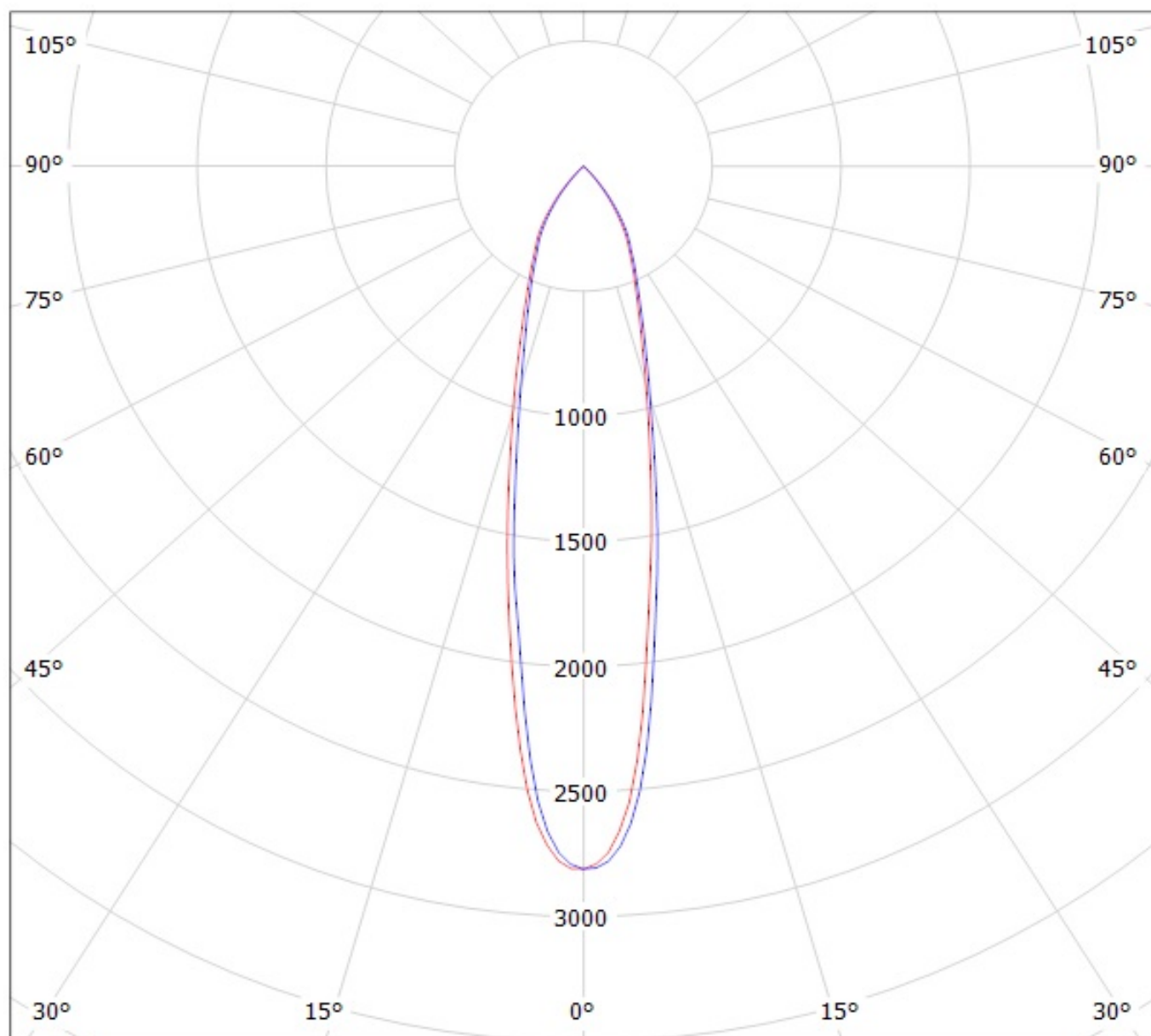
Luminaire: LEDiL Oy C13806\_MIRELLA-XW-PF\_(CXA1816)

Lamps: 1 x CREE\_CXA1816\_(CXA1816-30F-P2-N0H-00001)\_1077.67lm@250mA\_P=8.73226W\_I=249.8mA



Luminaire: LEDiL Oy C13085\_MIRELLA-50-S-PF\_(CXA1816)

Lamps: 1 x CREE\_CXA1816\_(CXA1816-30F-P2-N0H-00001)\_1077.67lm@250mA\_P=8.73226W\_I=249.8mA



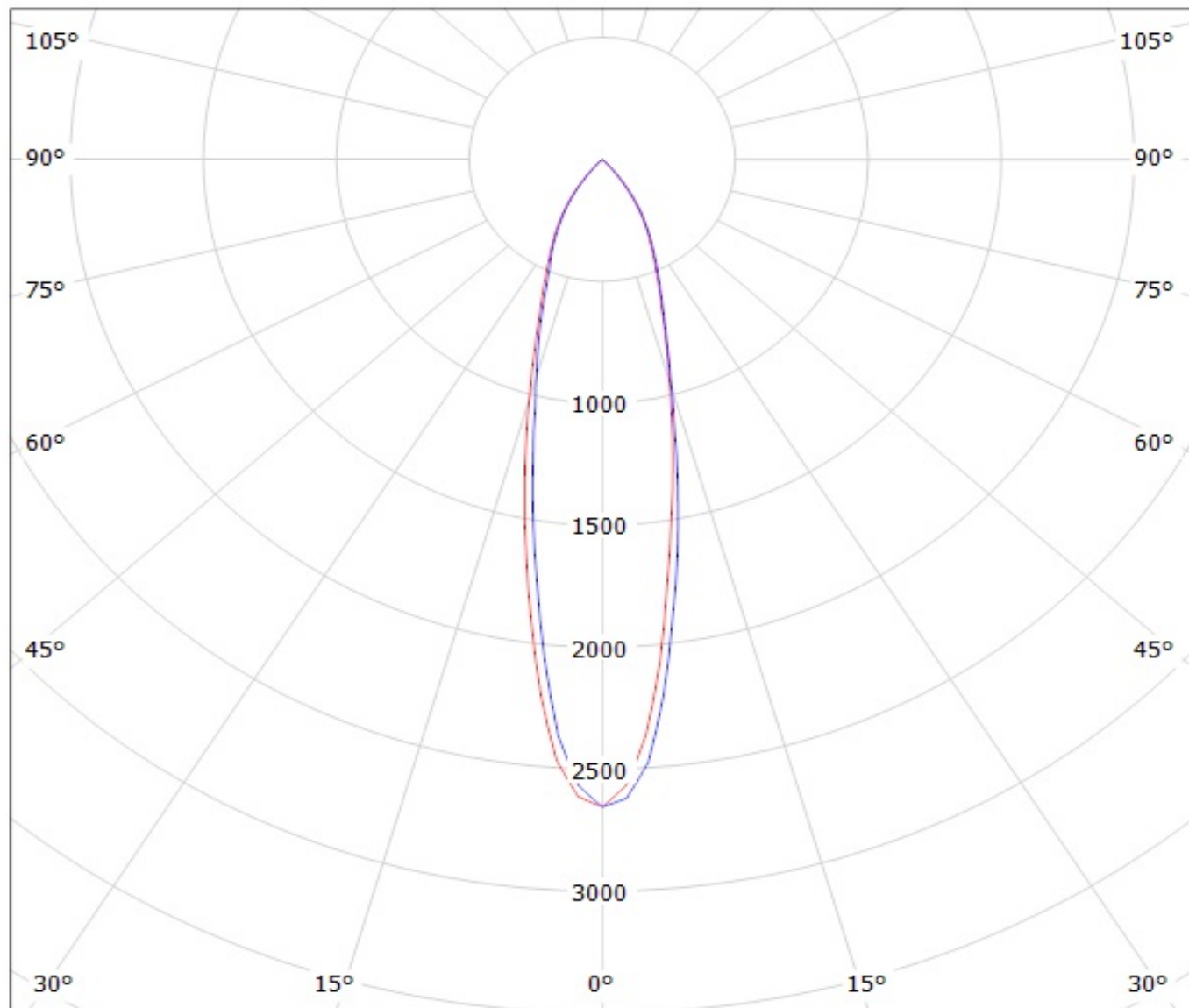
cd/klm

— C0 - C180

— C90 - C270

$\eta = 89\%$

Luminaire: LEDil Oy CN14276\_MIRELLA-50-S-PF\_(CXA1816) Efficiency=85%  
Lamps: 1 x Cree CXA1816 (941lm @ 250mA) CCT=3200K P=8.8W I=250mA

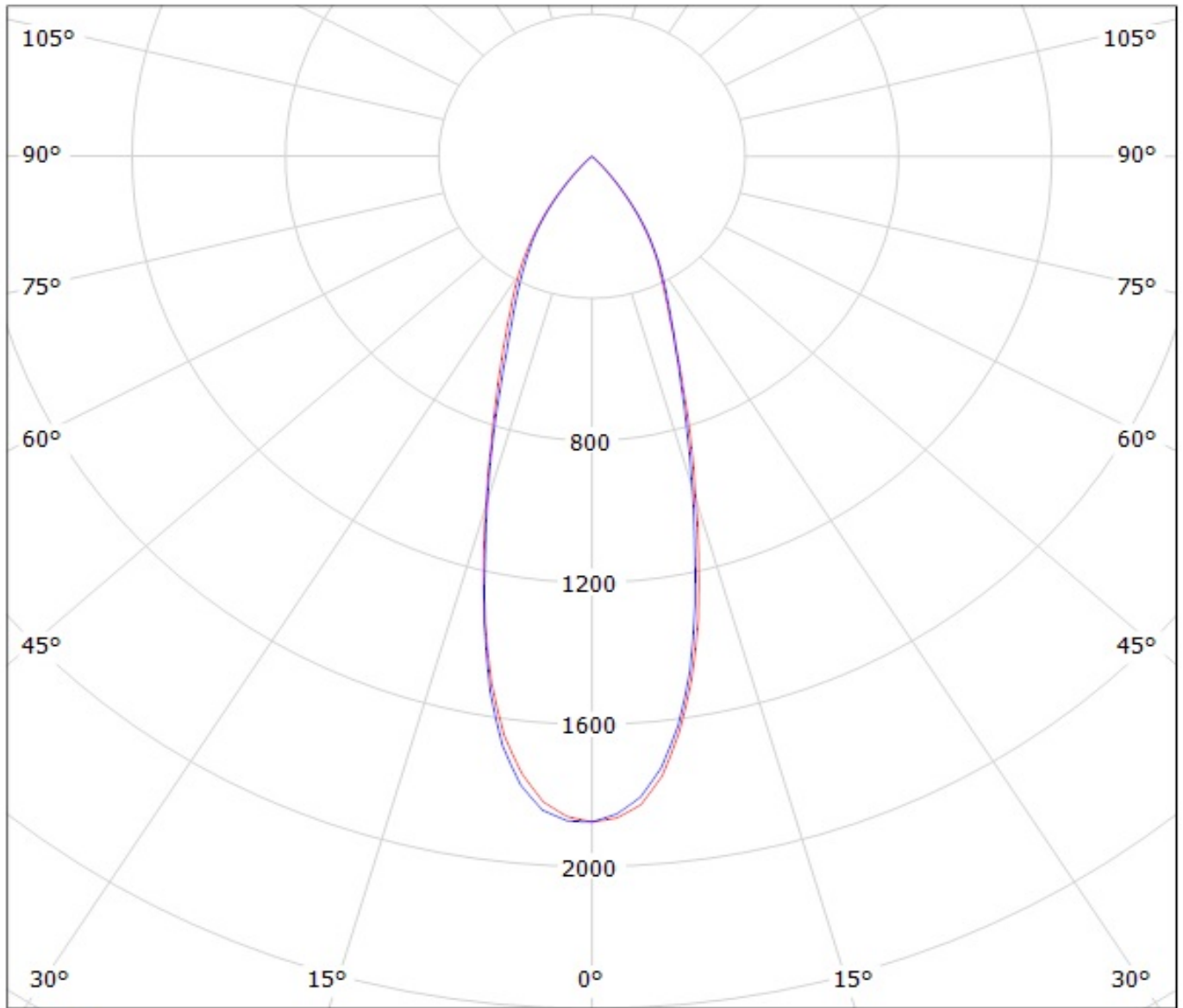


cd/klm

— C0 - C180

— C90 - C270

Luminaire: LEDil Oy CN14277\_MIRELLA-50-M-PF\_(CXA1816) Efficiency=84%  
Lamps: 1 x Cree CXA1816 (941lm @ 250mA) CCT=3200K P=8.8W I=250mA

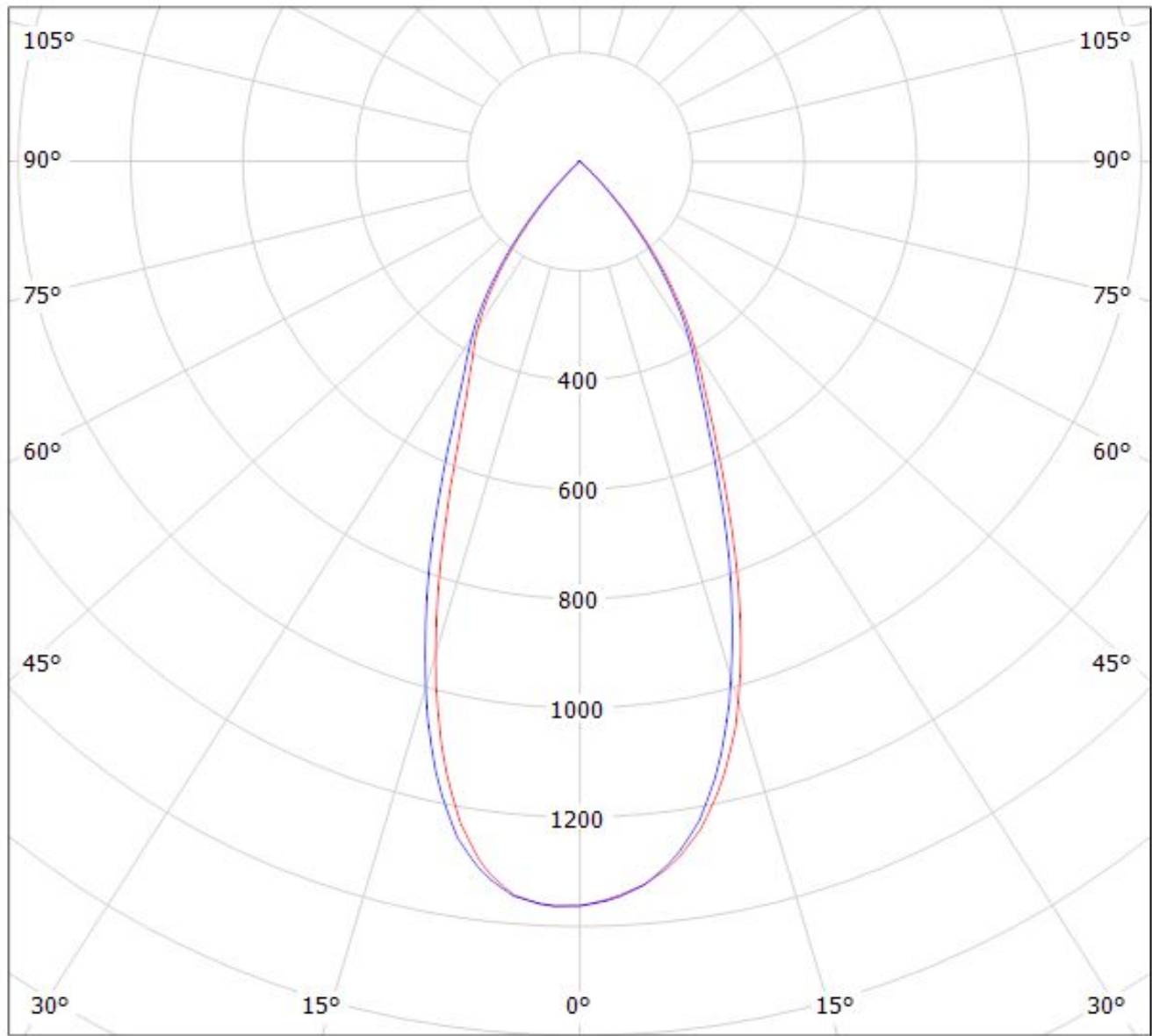


cd/klm

— C0 - C180 — C90 - C270

Luminaire: LEDiL Oy C13087\_MIRELLA-50-W-PF\_(CXA1816)

Lamps: 1 x CREE\_CXA1816\_(CXA1816-30F-P2-N0H-00001)\_1077.67lm@250mA\_P=8.73226W\_I=249.8mA



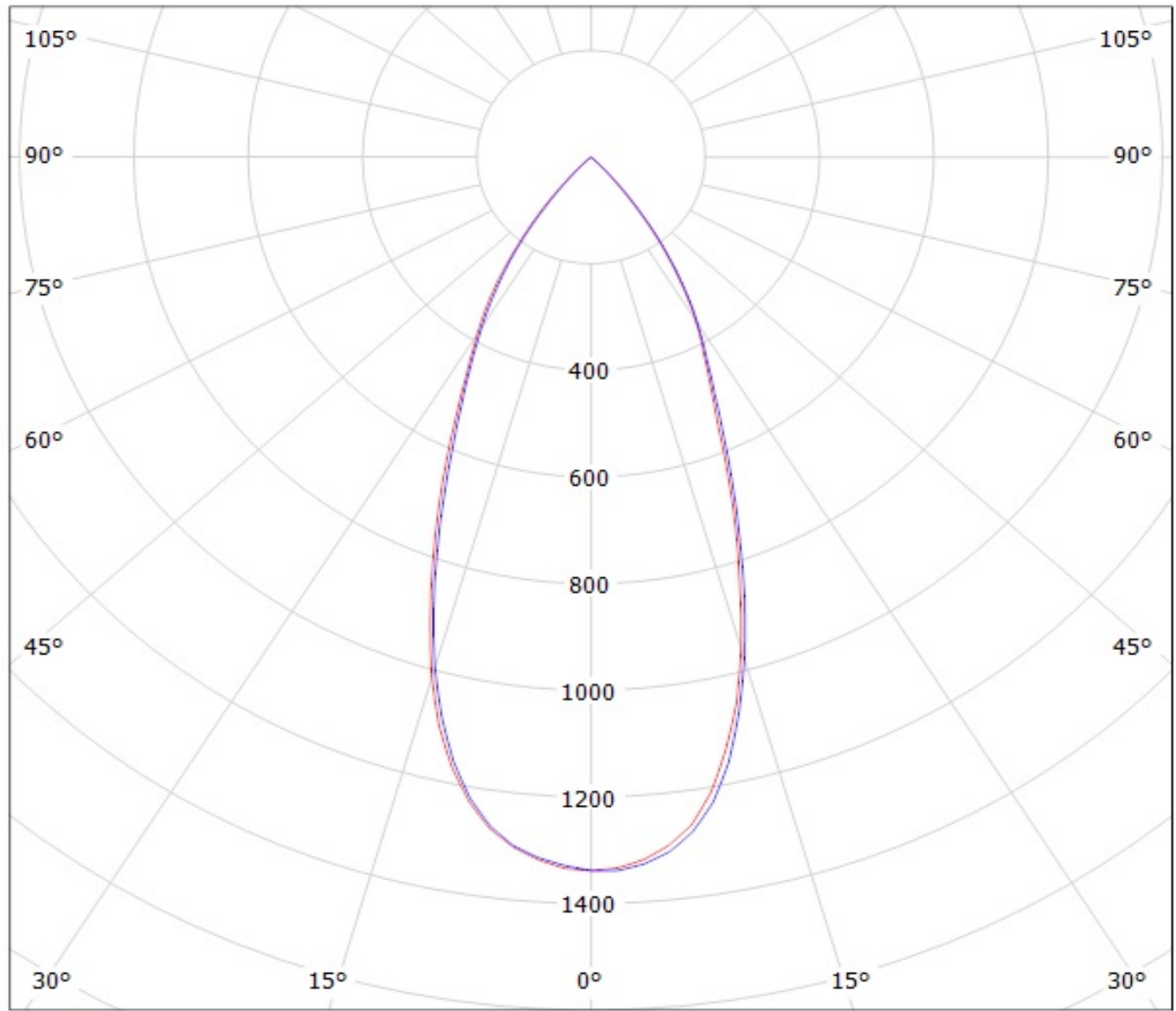
cd/klm

$\eta = 87\%$

— C0 - C180

— C90 - C270

Luminaire: LEDil Oy CN14278\_MIRELLA-50-W-PF\_(CXA1816) Efficiency=84%  
Lamps: 1 x Cree CXA1816 (941lm @ 250mA) CCT=3200K P=8.8W I=250mA

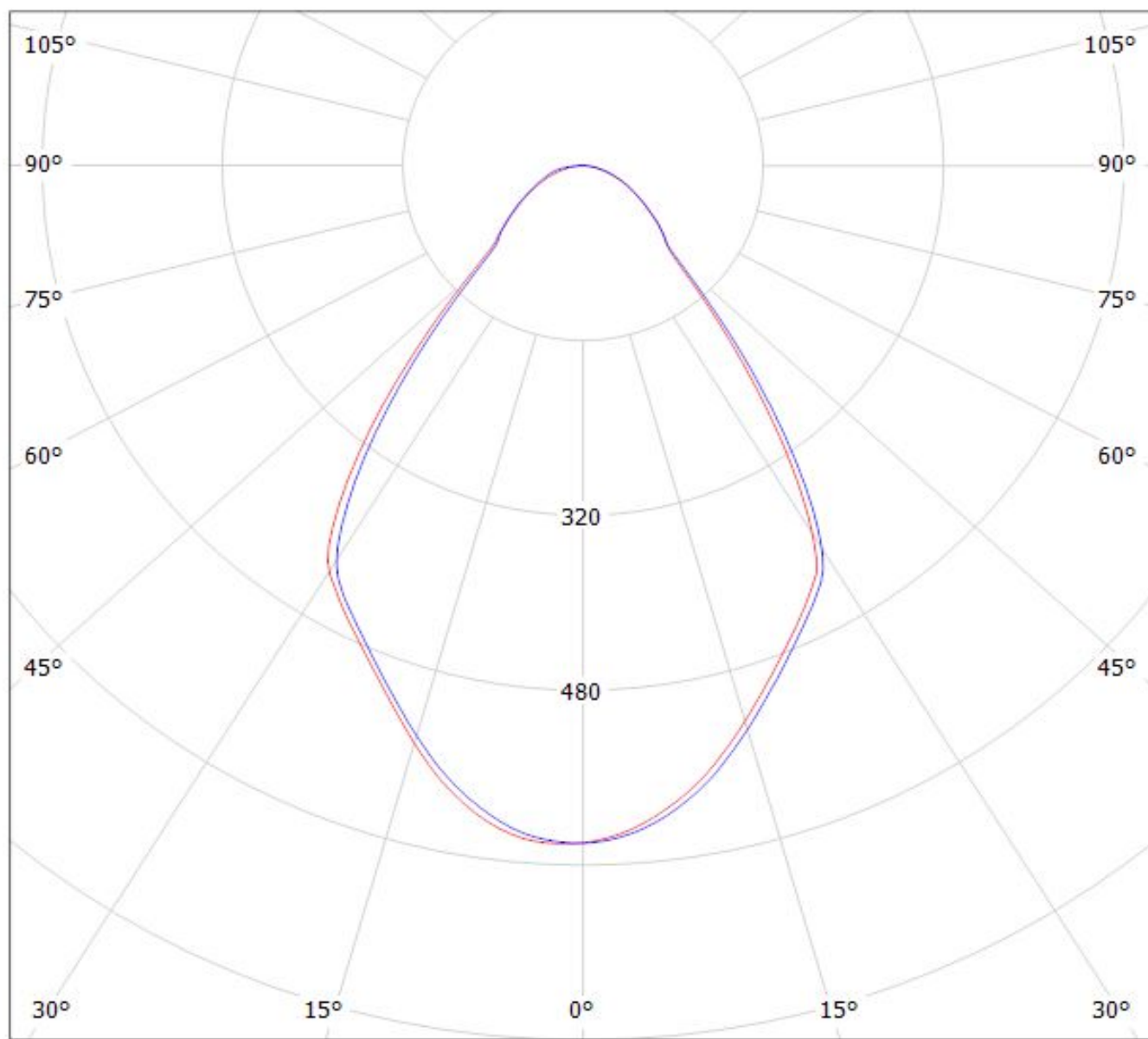


cd/klm  
— C0 - C180    — C90 - C270



Luminaire: LEDiL Oy C13806\_MIRELLA-XW-PF\_(CXA1816)

Lamps: 1 x CREE\_CXA1816\_(CXA1816-30F-P2-N0H-00001)\_1077.67lm@250mA\_P=8.73226W\_I=249.8mA



cd/klm

— C0 - C180

— C90 - C270

$\eta = 89\%$