

LOW-VOLTAGE 1:10 LVPECL WITH SELECTABLE INPUT CLOCK DRIVER

Check for Samples: [CDCLVP111-EP](#)

FEATURES

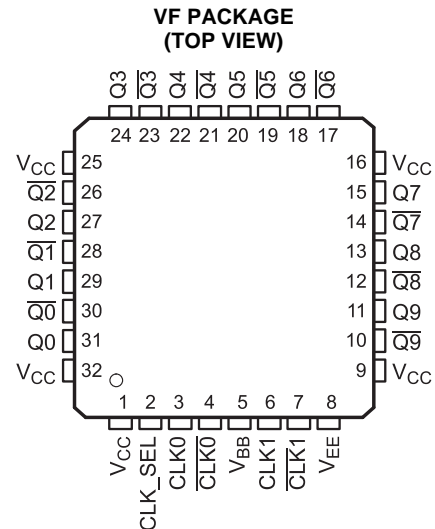
- Distributes One Differential Clock Input Pair LVPECL to 10 Differential LVPECL
- Fully Compatible With LVECL and LVPECL
- Supports a Wide Supply Voltage Range From 2.375 V to 3.8 V
- Selectable Clock Input Through CLK_SEL
- Low-Output Skew (Typ 15 ps) for Clock-Distribution Applications
 - Additive Jitter Less Than 1 ps
 - Propagation Delay Less Than 355 ps
 - Open Input Default State
 - LVDS, CML, SSTL input compatible
- V_{BB} Reference Voltage Output for Single-Ended Clocking
- Available in a 32-Pin LQFP Package
- Frequency Range From DC to 3.5 GHz
- Pin-to-Pin Compatible With MC100 Series EP111, ES6111, LVEP111, PTN1111

APPLICATIONS

- Designed for Driving 50 Ω Transmission Lines
- High Performance Clock Distribution

SUPPORTS DEFENSE, AEROSPACE, AND MEDICAL APPLICATIONS

- Controlled Baseline
- One Assembly and Test Site
- One Fabrication Site
- Available in Military (-55°C to 125°C) Temperature Range ⁽¹⁾
- Extended Product Life Cycle
- Extended Product-Change Notification
- Product Traceability



(1) Custom temperature ranges available

DESCRIPTION

The CDCLVP111 clock driver distributes one differential clock pair of LVPECL input, (CLK0, CLK1) to ten pairs of differential LVPECL clock (Q0, Q9) outputs with minimum skew for clock distribution. The CDCLVP111 can accept two clock sources into an input multiplexer. The CDCLVP111 is specifically designed for driving 50- Ω transmission lines. When an output pin is not used, leaving it open is recommended to reduce power consumption. If only one of the output pins from a differential pair is used, the other output pin must be identically terminated to 50 Ω .

The V_{BB} reference voltage output is used if single-ended input operation is required. In this case, the V_{BB} pin should be connected to CLK0 and bypassed to GND via a 10-nF capacitor.

However, for high-speed performance up to 3.5 GHz, the differential mode is strongly recommended.

The CDCLVP111 is characterized for operation from -55°C to 125°C .



Please be aware that an important notice concerning availability, standard warranty, and use in critical applications of Texas Instruments semiconductor products and disclaimers thereto appears at the end of this data sheet.

Table 1. FUNCTION TABLE

CLK_SEL	ACTIVE CLOCK INPUT
0	CLK0, $\overline{\text{CLK0}}$
1	CLK1, $\overline{\text{CLK1}}$

Table 2. ORDERING INFORMATION⁽¹⁾

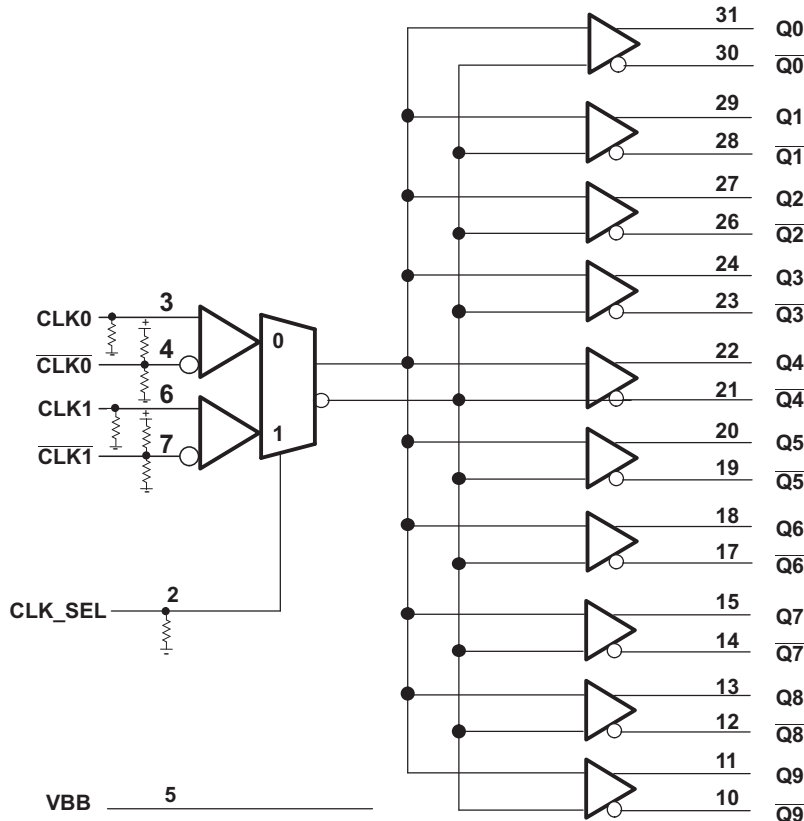
T _J	PACKAGE	ORDERABLE PART NUMBER	TOP-SIDE MARKING	VID NUMBER
–55°C to 125°C	LQFP - VF	CDCLVP111MVFREP	LVP111MEP	V62/12624-01XE

(1) For the most current package and ordering information, see the Package Option Addendum at the end of this document, or see the TI Web site at www.ti.com.



These devices have limited built-in ESD protection. The leads should be shorted together or the device placed in conductive foam during storage or handling to prevent electrostatic damage to the MOS gates.

DEVICE INFORMATION



PIN FUNCTIONS⁽¹⁾

PIN		DESCRIPTION
NAME	NO.	
CLK_SEL	2	Clock select. Used to select between CLK0 and CLK1 input pairs. LVTTTL/LVCMOS functionality compatible.
CLK0, $\overline{\text{CLK0}}$	3, 4	Differential LVECL/LVPECL input pair
CLK1, $\overline{\text{CLK1}}$	6, 7	
Q [9:0]	11, 13, 15, 18, 20, 22, 24, 27, 29, 31	LVECL/LVPECL clock outputs, these outputs provide low-skew copies of CLKn.
$\overline{\text{Q}}$ [9:0]	10, 12, 14, 17, 19, 21, 23, 26, 28, 30	LVECL/LVPECL complementary clock outputs, these outputs provide copies of $\overline{\text{CLKn}}$.
V _{BB}	5	Reference voltage output for single-ended input operation
V _{CC}	1, 9, 16, 25, 32	Supply voltage
V _{EE}	8	Device ground or negative supply voltage in ECL mode

(1) CLKn, CLK_SEL pull down resistor = 75 kΩ; $\overline{\text{CLKn}}$ pull up resistor = 37.5 kΩ; $\overline{\text{CLKn}}$ pull down resistor = 50 kΩ.

CDCLVP111-EP

SCAS933 – DECEMBER 2012

www.ti.com

ABSOLUTE MAXIMUM RATINGS⁽¹⁾

		VALUE	UNIT
V_{CC}	Supply voltage (Relative to V_{EE})	-0.3 to 4.6	V
V_I	Input voltage	-0.3 to $V_{CC} + 0.5$	V
V_O	Output voltage	-0.3 to $V_{CC} + 0.5$	V
I_{IN}	Input current	±20	mA
V_{EE}	Negative supply voltage (Relative to V_{CC})	-4.6 to 0.3	V
I_{BB}	Sink/source current	-1 to 1	mA
I_O	DC output current	-50	mA
T_{stg}	Storage temperature range	-65 to 150	°C
T_J	Maximum operating junction temperature	150	°C

(1) Stresses beyond those listed under "absolute maximum ratings" may cause permanent damage to the device. These are stress ratings only, and functional operation of the device at these or any other conditions beyond those indicated under "recommended operating conditions" is not implied. Exposure to absolute-maximum-rated conditions for extended periods may affect device reliability.

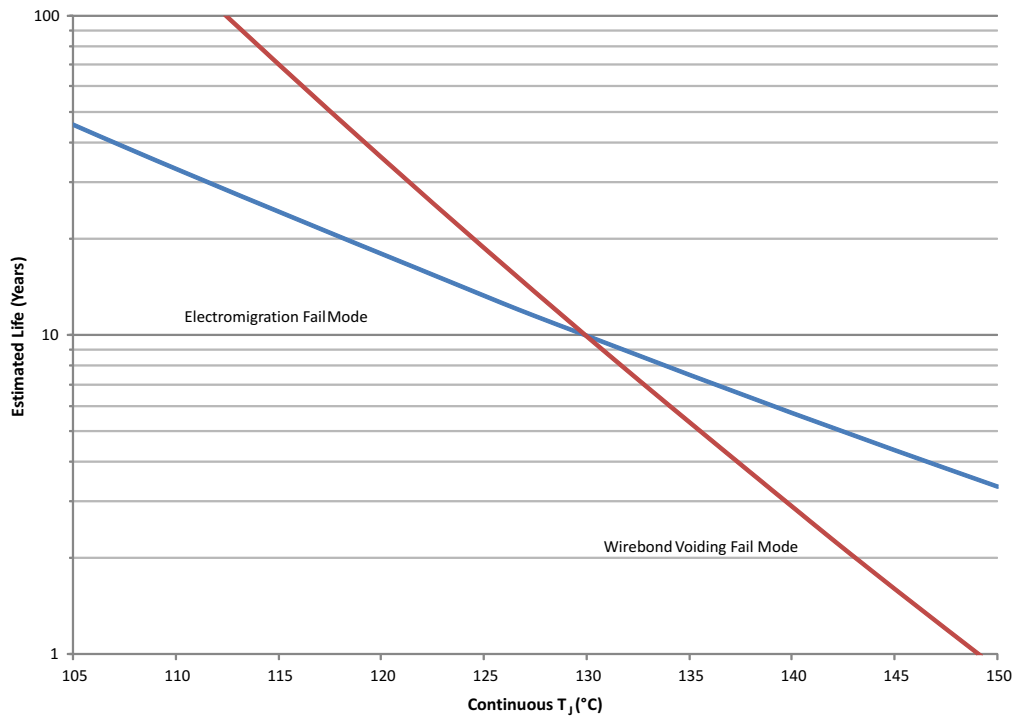
RECOMMENDED OPERATING CONDITIONS

		MIN	NOM	MAX	UNIT
V_{CC}	Supply voltage (relative to V_{EE})	2.375	2.5/3.3	3.8	V
T_J	Operating junction temperature	-55		125	°C

PACKAGE THERMAL IMPEDANCE, VF (LQFP)

		TEST CONDITION	VALUE	UNIT
θ_{JA}	Thermal resistance junction to ambient ⁽¹⁾	0 LFM	74	°C/W
		150 LFM	66	°C/W
		250 LFM	64	°C/W
		500 LFM	61	°C/W
θ_{JC}	Thermal resistance junction to case		39	°C/W

(1) According to JESD 51-7 standard.



- (1) See data sheet for absolute maximum and minimum recommended operating conditions.
- (2) Silicon operating life design goal is 10 years at 105°C junction temperature (does not include package interconnect life).

Figure 1. CDCLVP111 in 32/VF Package Operating Life Derating Chart

LVECL DC ELECTRICAL CHARACTERISTICS

 Vsupply: $V_{CC} = 0\text{ V}$, $V_{EE} = -2.375\text{ V}$ to -3.8 V over operating temperature range $T_J = -55^\circ\text{C}$ to 125°C (unless otherwise noted)

PARAMETER	TEST CONDITIONS		MIN	TYP	MAX	UNIT
I_{EE} Supply internal current	Absolute value of current	$-55^\circ\text{C}, 25^\circ\text{C}, 125^\circ\text{C}$	35		85	mA
I_{CC} Output and internal supply current	All outputs terminated $50\ \Omega$ to $V_{CC} - 2\text{ V}$	$-55^\circ\text{C}, 25^\circ\text{C}$			385	mA
		125°C			405	
I_{IN} Input current	Includes pullup/pulldown resistors, $V_{IH} = V_{CC}$, $V_{IL} = V_{CC} - 2\text{ V}$	$-55^\circ\text{C}, 25^\circ\text{C}, 125^\circ\text{C}$	-150		150	μA
V_{BB} Internally generated bias voltage	For $V_{EE} = -3$ to -3.8 V , $I_{BB} = -0.2\text{ mA}$	$-55^\circ\text{C}, 25^\circ\text{C}, 125^\circ\text{C}$	-1.45	-1.3	-1.125	V
	$V_{EE} = -2.375$ to -2.75 V , $I_{BB} = -0.2\text{ mA}$	$-55^\circ\text{C}, 25^\circ\text{C}, 125^\circ\text{C}$	-1.4	-1.25	-1.1	
V_{IH} High-level input voltage (CLK_SEL)		$-55^\circ\text{C}, 25^\circ\text{C}, 125^\circ\text{C}$	-1.165		-0.88	V
V_{IL} Low-level input voltage (CLK_SEL)		$-55^\circ\text{C}, 25^\circ\text{C}, 125^\circ\text{C}$	-1.81		-1.475	V
V_{ID} Input amplitude (CLKn, $\overline{\text{CLKn}}$)	Difference of input, See ⁽¹⁾ $ V_{IH} - V_{IL} $	$-55^\circ\text{C}, 25^\circ\text{C}, 125^\circ\text{C}$	0.5		1.3	V
V_{CM} Common-mode voltage (CLKn, $\overline{\text{CLKn}}$)	DC offset relative to V_{EE}	$-55^\circ\text{C}, 25^\circ\text{C}, 125^\circ\text{C}$	$V_{EE} + 1$		-0.3	V
V_{OH} High-level output voltage	$I_{OH} = -21\text{ mA}$	-55°C	-1.26		-0.85	V
		25°C	-1.2		-0.85	
		125°C	-1.15		-0.8	
V_{OL} Low-level output voltage	$I_{OL} = -5\text{ mA}$	25°C	-1.85		-1.425	V
		$-55^\circ\text{C}, 125^\circ\text{C}$	-1.85		-1.25	
V_{OD} Differential output voltage swing	Terminated with $50\ \Omega$ to $V_{CC} - 2\text{ V}$, See Figure 4	$-55^\circ\text{C}, 25^\circ\text{C}, 125^\circ\text{C}$	400			mV

 (1) V_{ID} minimum and maximum is required to maintain ac specifications, actual device function tolerates a minimum V_{ID} of 100 mV.

LVPECL DC ELECTRICAL CHARACTERISTICS

Vsupply: $V_{CC} = 2.375\text{ V to }3.8\text{ V}$, $V_{EE} = 0\text{ V}$ over operating temperature range $T_J = -55^\circ\text{C to }125^\circ\text{C}$ (unless otherwise noted)

PARAMETER	TEST CONDITIONS	MIN	TYP	MAX	UNIT			
I_{EE}	Supply internal current	Absolute value of current		-55°C, 25°C, 125°C	35	85	mA	
I_{CC}	Output and internal supply current	All outputs terminated 50 Ω to $V_{CC} - 2\text{ V}$		-55°C, 25°C		385	mA	
				125°C		405		
I_{IN}	Input current	Includes pullup/pulldown resistors $V_{IH} = V_{CC}$, $V_{IL} = V_{CC} - 2\text{ V}$		-55°C, 25°C, 125°C	-150	150	μA	
V_{BB}	Internally generated bias voltage	$V_{CC} = 3\text{ to }3.8\text{ V}$, $I_{BB} = -0.2\text{ mA}$		-55°C, 25°C, 125°C	$V_{CC} - 1.45$	$V_{CC} - 1.3$	$V_{CC} - 1.125$	V
		$V_{CC} = 2.375\text{ to }2.75\text{ V}$, $I_{BB} = -0.2\text{ mA}$		-55°C, 25°C, 125°C	$V_{CC} - 1.4$	$V_{CC} - 1.25$	$V_{CC} - 1.1$	
V_{IH}	High-level input voltage (CLK_SEL)			-55°C, 25°C, 125°C	$V_{CC} - 1.165$	$V_{CC} - 0.88$	V	
V_{IL}	Low-level input voltage (CLK_SEL)			-55°C, 25°C, 125°C	$V_{CC} - 1.81$	$V_{CC} - 1.475$	V	
V_{ID}	Input amplitude (CLKn, $\overline{\text{CLKn}}$)	Difference of input, see ⁽¹⁾ , $ V_{IH} - V_{IL} $		-55°C, 25°C, 125°C	0.5	1.3	V	
V_{CM}	Common-mode voltage (CLKn, $\overline{\text{CLKn}}$)	DC offset relative to V_{EE}		-55°C, 25°C, 125°C	1	$V_{CC} - 0.3$	V	
V_{OH}	High-level output voltage	$I_{OH} = -21\text{ mA}$		-55°C	$V_{CC} - 1.26$	$V_{CC} - 0.85$	V	
				25°C	$V_{CC} - 1.2$	$V_{CC} - 0.85$		
				125°C	$V_{CC} - 1.15$	$V_{CC} - 0.8$		
V_{OL}	Low-level output voltage	$I_{OL} = -5\text{ mA}$		25°C	$V_{CC} - 1.85$	$V_{CC} - 1.425$	V	
				-55°C, 125°C	$V_{CC} - 1.85$	$V_{CC} - 1.25$		
V_{OD}	Differential output voltage swing	Terminated with 50 Ω to $V_{CC} - 2\text{ V}$, See Figure 4		-55°C, 25°C, 125°C	400		mV	

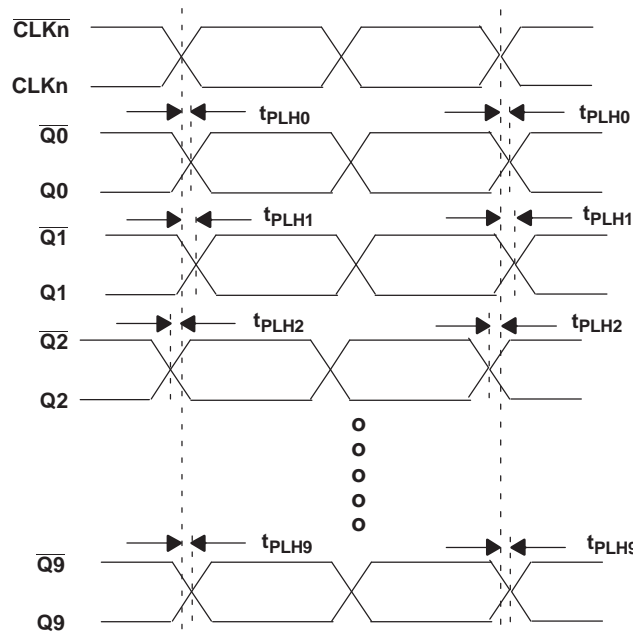
(1) V_{ID} minimum and maximum is required to maintain ac specifications, actual device function tolerates a minimum V_{ID} of 100 mV.

AC ELECTRICAL CHARACTERISTICS

Vsupply: $V_{CC} = 2.375\text{ V to }3.8\text{ V}$, $V_{EE} = 0\text{ V}$ or LVECL/LVPECL input $V_{CC} = 0\text{ V}$, $V_{EE} = -2.375\text{ V to }-3.8\text{ V}$ over operating temperature range $T_J = -55^\circ\text{C to }125^\circ\text{C}$ (unless otherwise noted)

PARAMETER	TEST CONDITIONS	MIN	TYP	MAX	UNIT	
t_{pd}	Differential propagation delay CLKn, CLKn to all Q0, Q0... Q9, Q9	See Note D in Figure 2		200	355	ps
$t_{sk(o)}$	Output-to-output skew	See Notes A and D in Figure 2		15	50	ps
$t_{sk(pp)}$	Part-to-part skew	See Notes B and D in Figure 2		70		ps
t_{aj}	Additive phase jitter ⁽¹⁾	Integration bandwidth of 20 kHz to 20 MHz, fout = 200 MHz at 25°C		0.125	0.8	ps
$f_{(max)}$	Maximum frequency ⁽¹⁾	Functional up to 3.5 GHz, see Figure 4			3500	MHz
t_r/t_f	Output rise and fall time (20%, 80%)	See Note D in Figure 2			240	ps

(1) Specification is guaranteed by bench characterization and is not tested in production.



- A. Output skew is calculated as the greater of: The difference between the fastest and the slowest t_{PLHn} ($n = 0, 1, \dots, 9$) or the difference between the fastest and the slowest t_{pHLn} ($n = 0, 1, \dots, 9$).
- B. Part-to-part skew, is calculated as the greater of: The difference between the fastest and the slowest t_{PLHn} ($n = 0, 1, \dots, 9$) across multiple devices or the difference between the fastest and the slowest t_{pHLn} ($n = 0, 1, \dots, 9$) across multiple devices.
- C. Typical value measured at ambient when clock input is 155.52 MHz for an integration bandwidth of 20 kHz to 5 MHz.
- D. Input conditions: $V_{CM} = 1\text{ V}$, $V_{ID} = 0.5\text{ V}$ and $F_{IN} = 1\text{ GHz}$.

Figure 2. Waveform for Calculating Both Output and Part-to-Part Skew

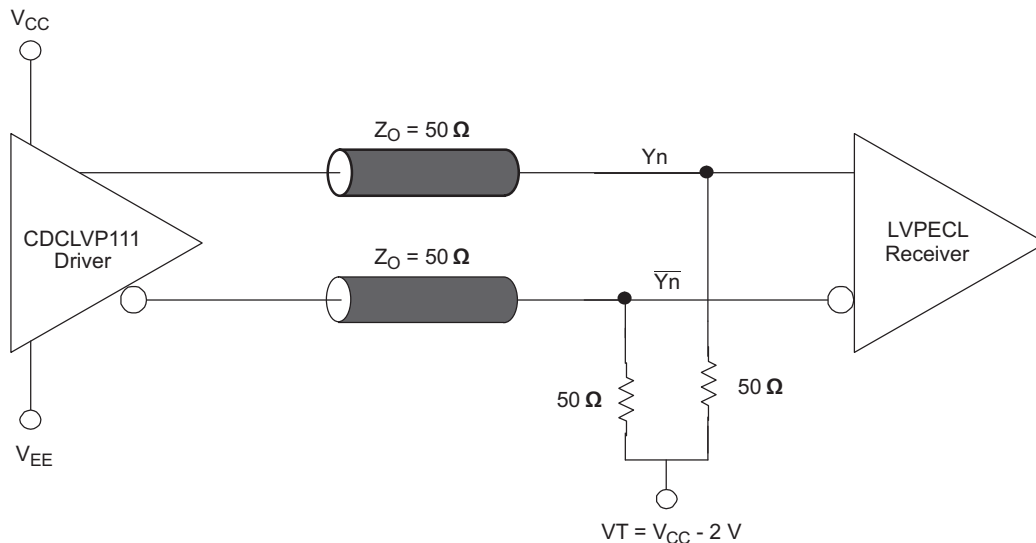


Figure 3. Typical Termination for Output Driver (See the Interfacing Between LVPECL, LVDS, and CML Application Note, Literature Number [SCAA056](#))

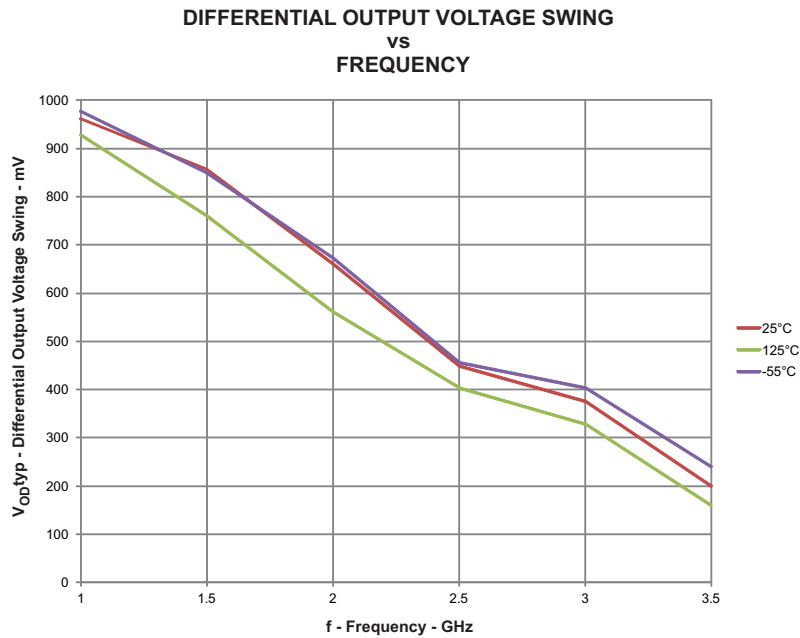


Figure 4. LVPECL Input Using CLK0 Pair, $V_{CC} = 2.375$ V, $V_{CM} = 1$ V, $V_{ID} = 0.5$ V

PACKAGING INFORMATION

Orderable Device	Status (1)	Package Type	Package Drawing	Pins	Package Qty	Eco Plan (2)	Lead/Ball Finish (6)	MSL Peak Temp (3)	Op Temp (°C)	Device Marking (4/5)	Samples
CDCLVP111MVFREP	ACTIVE	LQFP	VF	32	1000	Green (RoHS & no Sb/Br)	CU NIPDAU	Level-3-260C-168 HR	-55 to 125	LVP111MEP	Samples
V62/12624-01XE	ACTIVE	LQFP	VF	32	1000	Green (RoHS & no Sb/Br)	CU NIPDAU	Level-3-260C-168 HR	-55 to 125	LVP111MEP	Samples

(1) The marketing status values are defined as follows:

ACTIVE: Product device recommended for new designs.

LIFEBUY: TI has announced that the device will be discontinued, and a lifetime-buy period is in effect.

NRND: Not recommended for new designs. Device is in production to support existing customers, but TI does not recommend using this part in a new design.

PREVIEW: Device has been announced but is not in production. Samples may or may not be available.

OBSOLETE: TI has discontinued the production of the device.

(2) Eco Plan - The planned eco-friendly classification: Pb-Free (RoHS), Pb-Free (RoHS Exempt), or Green (RoHS & no Sb/Br) - please check <http://www.ti.com/productcontent> for the latest availability information and additional product content details.

TBD: The Pb-Free/Green conversion plan has not been defined.

Pb-Free (RoHS): TI's terms "Lead-Free" or "Pb-Free" mean semiconductor products that are compatible with the current RoHS requirements for all 6 substances, including the requirement that lead not exceed 0.1% by weight in homogeneous materials. Where designed to be soldered at high temperatures, TI Pb-Free products are suitable for use in specified lead-free processes.

Pb-Free (RoHS Exempt): This component has a RoHS exemption for either 1) lead-based flip-chip solder bumps used between the die and package, or 2) lead-based die adhesive used between the die and leadframe. The component is otherwise considered Pb-Free (RoHS compatible) as defined above.

Green (RoHS & no Sb/Br): TI defines "Green" to mean Pb-Free (RoHS compatible), and free of Bromine (Br) and Antimony (Sb) based flame retardants (Br or Sb do not exceed 0.1% by weight in homogeneous material)

(3) MSL, Peak Temp. - The Moisture Sensitivity Level rating according to the JEDEC industry standard classifications, and peak solder temperature.

(4) There may be additional marking, which relates to the logo, the lot trace code information, or the environmental category on the device.

(5) Multiple Device Markings will be inside parentheses. Only one Device Marking contained in parentheses and separated by a "~" will appear on a device. If a line is indented then it is a continuation of the previous line and the two combined represent the entire Device Marking for that device.

(6) Lead/Ball Finish - Orderable Devices may have multiple material finish options. Finish options are separated by a vertical ruled line. Lead/Ball Finish values may wrap to two lines if the finish value exceeds the maximum column width.

Important Information and Disclaimer: The information provided on this page represents TI's knowledge and belief as of the date that it is provided. TI bases its knowledge and belief on information provided by third parties, and makes no representation or warranty as to the accuracy of such information. Efforts are underway to better integrate information from third parties. TI has taken and continues to take reasonable steps to provide representative and accurate information but may not have conducted destructive testing or chemical analysis on incoming materials and chemicals. TI and TI suppliers consider certain information to be proprietary, and thus CAS numbers and other limited information may not be available for release.

In no event shall TI's liability arising out of such information exceed the total purchase price of the TI part(s) at issue in this document sold by TI to Customer on an annual basis.

OTHER QUALIFIED VERSIONS OF CDCLVP111-EP :

- Catalog: [CDCLVP111](#)

NOTE: Qualified Version Definitions:

- Catalog - TI's standard catalog product

TAPE AND REEL INFORMATION



QUADRANT ASSIGNMENTS FOR PIN 1 ORIENTATION IN TAPE



*All dimensions are nominal

Device	Package Type	Package Drawing	Pins	SPQ	Reel Diameter (mm)	Reel Width W1 (mm)	A0 (mm)	B0 (mm)	K0 (mm)	P1 (mm)	W (mm)	Pin1 Quadrant
CDCLVP111MVFREP	LQFP	VF	32	1000	330.0	16.4	9.6	9.6	1.9	12.0	16.0	Q2

TAPE AND REEL BOX DIMENSIONS

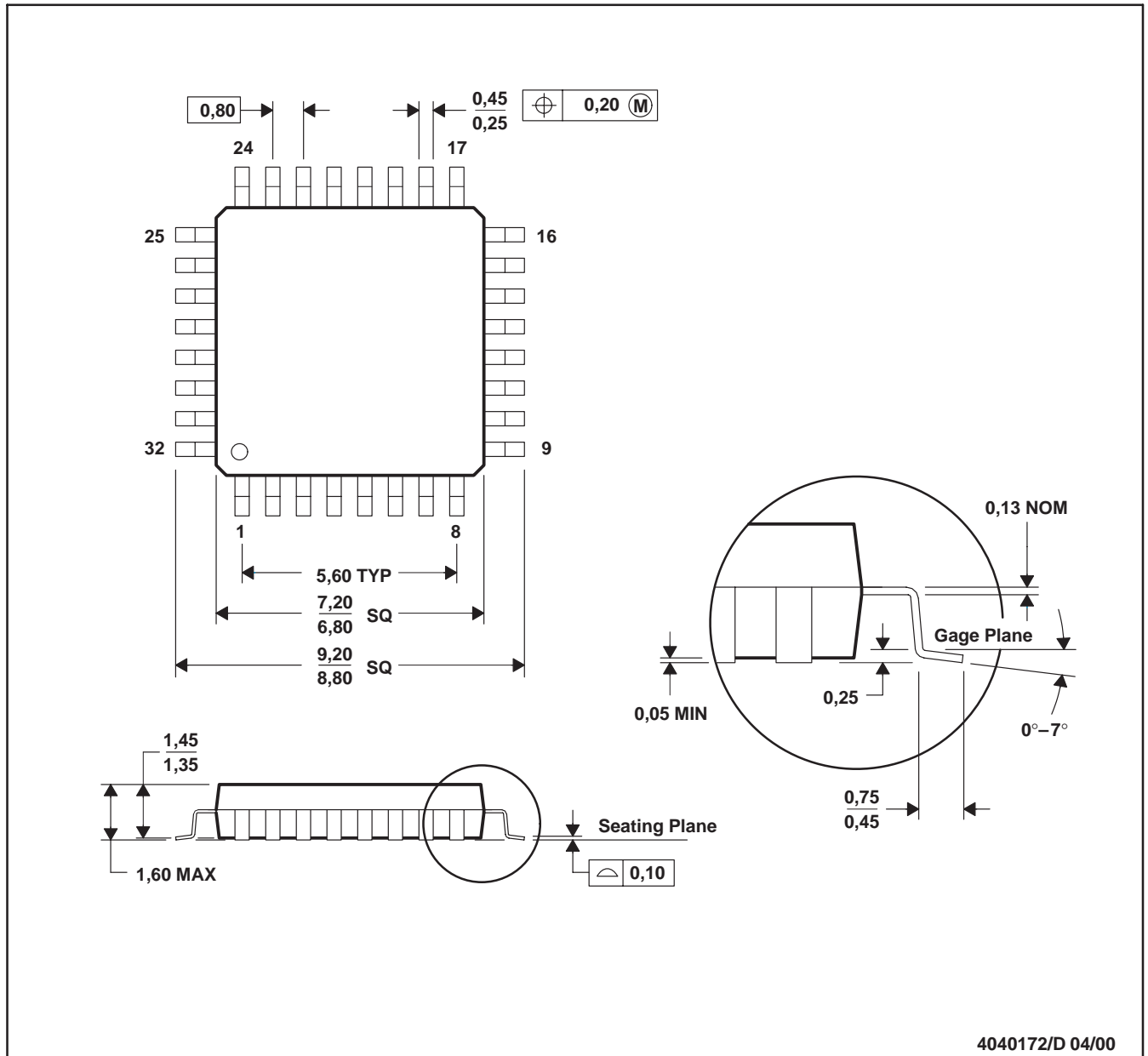


*All dimensions are nominal

Device	Package Type	Package Drawing	Pins	SPQ	Length (mm)	Width (mm)	Height (mm)
CDCLVP111MVFREP	LQFP	VF	32	1000	367.0	367.0	38.0

VF (S-PQFP-G32)

PLASTIC QUAD FLATPACK



- NOTES: A. All linear dimensions are in millimeters.
 B. This drawing is subject to change without notice.

IMPORTANT NOTICE

Texas Instruments Incorporated and its subsidiaries (TI) reserve the right to make corrections, enhancements, improvements and other changes to its semiconductor products and services per JESD46, latest issue, and to discontinue any product or service per JESD48, latest issue. Buyers should obtain the latest relevant information before placing orders and should verify that such information is current and complete. All semiconductor products (also referred to herein as "components") are sold subject to TI's terms and conditions of sale supplied at the time of order acknowledgment.

TI warrants performance of its components to the specifications applicable at the time of sale, in accordance with the warranty in TI's terms and conditions of sale of semiconductor products. Testing and other quality control techniques are used to the extent TI deems necessary to support this warranty. Except where mandated by applicable law, testing of all parameters of each component is not necessarily performed.

TI assumes no liability for applications assistance or the design of Buyers' products. Buyers are responsible for their products and applications using TI components. To minimize the risks associated with Buyers' products and applications, Buyers should provide adequate design and operating safeguards.

TI does not warrant or represent that any license, either express or implied, is granted under any patent right, copyright, mask work right, or other intellectual property right relating to any combination, machine, or process in which TI components or services are used. Information published by TI regarding third-party products or services does not constitute a license to use such products or services or a warranty or endorsement thereof. Use of such information may require a license from a third party under the patents or other intellectual property of the third party, or a license from TI under the patents or other intellectual property of TI.

Reproduction of significant portions of TI information in TI data books or data sheets is permissible only if reproduction is without alteration and is accompanied by all associated warranties, conditions, limitations, and notices. TI is not responsible or liable for such altered documentation. Information of third parties may be subject to additional restrictions.

Resale of TI components or services with statements different from or beyond the parameters stated by TI for that component or service voids all express and any implied warranties for the associated TI component or service and is an unfair and deceptive business practice. TI is not responsible or liable for any such statements.

Buyer acknowledges and agrees that it is solely responsible for compliance with all legal, regulatory and safety-related requirements concerning its products, and any use of TI components in its applications, notwithstanding any applications-related information or support that may be provided by TI. Buyer represents and agrees that it has all the necessary expertise to create and implement safeguards which anticipate dangerous consequences of failures, monitor failures and their consequences, lessen the likelihood of failures that might cause harm and take appropriate remedial actions. Buyer will fully indemnify TI and its representatives against any damages arising out of the use of any TI components in safety-critical applications.

In some cases, TI components may be promoted specifically to facilitate safety-related applications. With such components, TI's goal is to help enable customers to design and create their own end-product solutions that meet applicable functional safety standards and requirements. Nonetheless, such components are subject to these terms.

No TI components are authorized for use in FDA Class III (or similar life-critical medical equipment) unless authorized officers of the parties have executed a special agreement specifically governing such use.

Only those TI components which TI has specifically designated as military grade or "enhanced plastic" are designed and intended for use in military/aerospace applications or environments. Buyer acknowledges and agrees that any military or aerospace use of TI components which have **not** been so designated is solely at the Buyer's risk, and that Buyer is solely responsible for compliance with all legal and regulatory requirements in connection with such use.

TI has specifically designated certain components as meeting ISO/TS16949 requirements, mainly for automotive use. In any case of use of non-designated products, TI will not be responsible for any failure to meet ISO/TS16949.

Products

Audio	www.ti.com/audio
Amplifiers	amplifier.ti.com
Data Converters	dataconverter.ti.com
DLP® Products	www.dlp.com
DSP	dsp.ti.com
Clocks and Timers	www.ti.com/clocks
Interface	interface.ti.com
Logic	logic.ti.com
Power Mgmt	power.ti.com
Microcontrollers	microcontroller.ti.com
RFID	www.ti-rfid.com
OMAP Applications Processors	www.ti.com/omap
Wireless Connectivity	www.ti.com/wirelessconnectivity

Applications

Automotive and Transportation	www.ti.com/automotive
Communications and Telecom	www.ti.com/communications
Computers and Peripherals	www.ti.com/computers
Consumer Electronics	www.ti.com/consumer-apps
Energy and Lighting	www.ti.com/energy
Industrial	www.ti.com/industrial
Medical	www.ti.com/medical
Security	www.ti.com/security
Space, Avionics and Defense	www.ti.com/space-avionics-defense
Video and Imaging	www.ti.com/video

TI E2E Community

e2e.ti.com