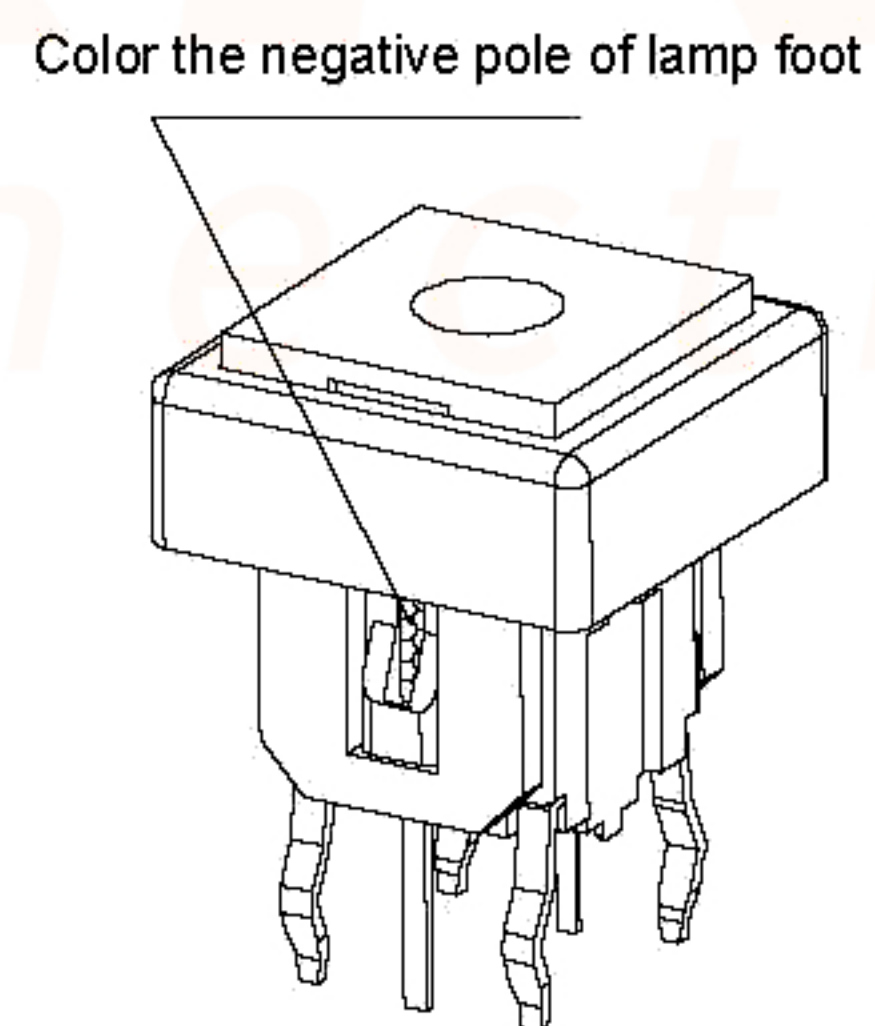
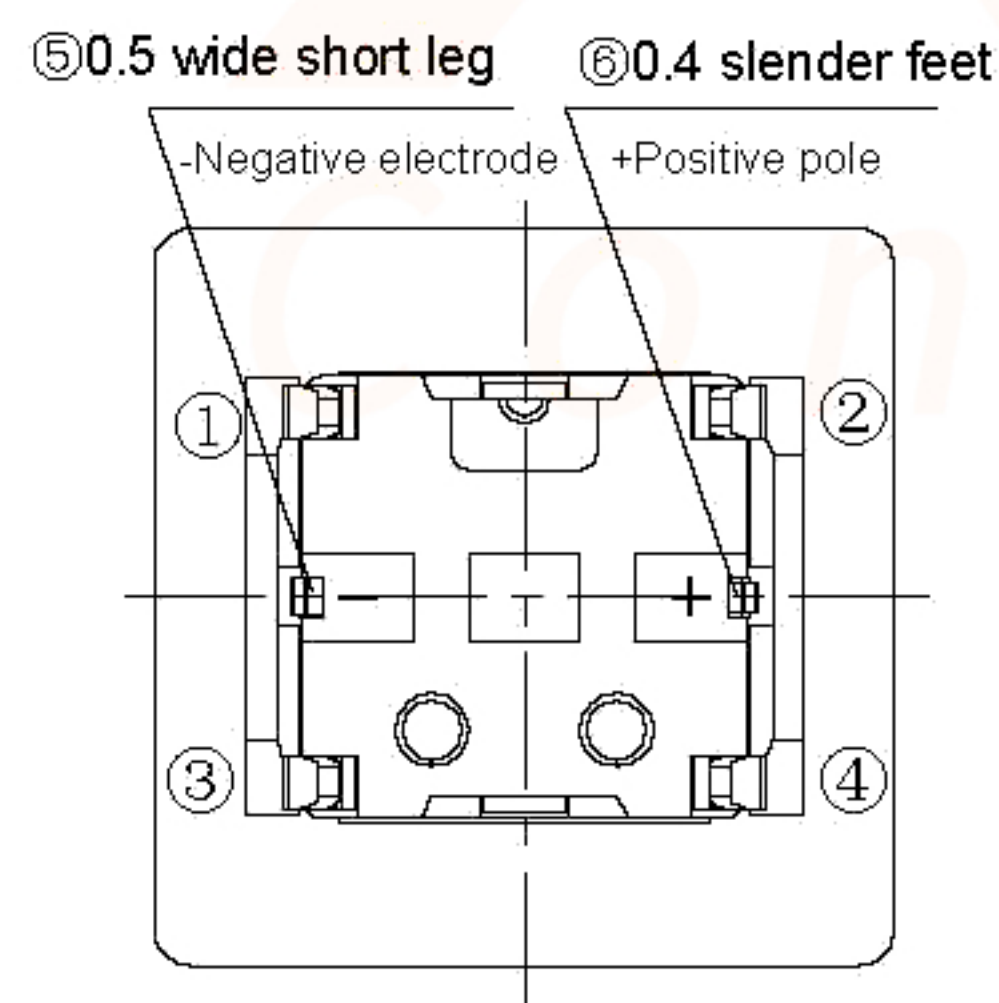
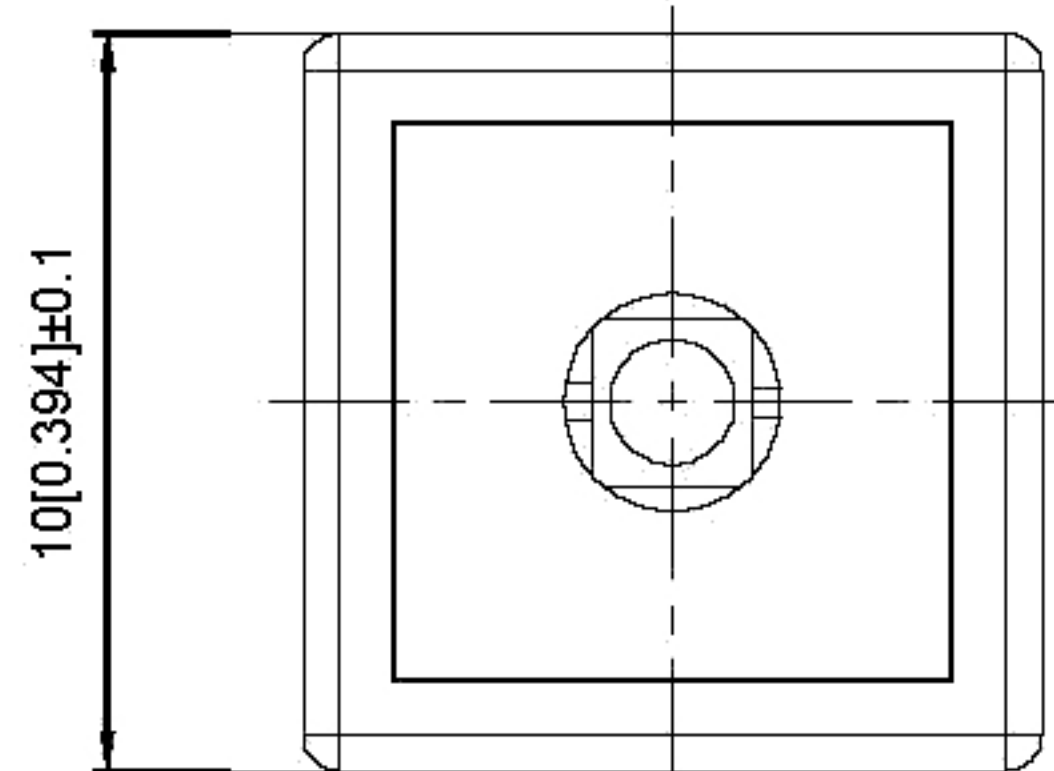


Led Color	Part No	VR	IF	Recommended Operating	IF	
					Nom	Max
White	TM-001-D5-01	DC5V	20mA	20mA	3.0V	3.6V
Red	TM-001-D5-02	DC5V	20mA	20mA	1.7V	2.4V
Blue	TM-001-D5-03	DC5V	20mA	20mA	3.0V	3.6V
Green	TM-001-D5-04	DC5V	20mA	20mA	1.9V	2.4V
Yellow	TM-001-D5-05	DC5V	20mA	20mA	1.9V	2.4V



⑦	LED		1			
⑥	Hat		1	ABS		
⑤	Terminal	—	4	Brass (0.30t)	ag Plated	—
④	Contact	—	1	F.ag/SUS		—
③	Base	—	1	PA66		—
②	Cover	—	1	PA66		—
①	Keystake	—	1	PA66		—
ITEM	PAPT NAMF	TER,NO	QTY	MATERIAL	FINISHING	REMARK

MARK	DESCRIPTION	DATE	REVISED	APPROVED	units: mm
ΔX					tolerance:
ΔX					X.X ±0.2mm
ΔX					X.XX ±0.1mm
MARK					X.XXX ±0.05mm
REVISIONS					UNSPECIFIED TOLERANCES
www.xk-dg.cn www.helloxkb.com www.helloxkb.cn					

DSND		DATE		SCALE: N/A	MODEL TYPE: LED SWITCH
DWN		DATE		VIEW:	PART NO.:
CHKD		DATE		UNIT: mm/in	DWG NO.: TM-001-D5
APPD		DATE		SIZE: A4	
XKB INDUSTRIAL PRECISION CO., LIMITED					WEIGHT: 1.0g
					SHEET: 1/1
					REVISION: A0