

VS-08-A-RJ45/LP-1-IP67 - Panel-mount frame



1689446

<https://www.phoenixcontact.com/us/products/1689446>

Please be informed that the data shown in this PDF document is generated from our online catalog. Please find the complete data in the user documentation. Our general terms of use for downloads are valid.



RJ45 panel mounting frame, IP67, for PCB connection, for square panel cutout, with grommet, without mounting screws, color: gray

Commercial data

| | |
|--------------------------------------|--------------------|
| Item number | 1689446 |
| Packing unit | 5 pc |
| Minimum order quantity | 5 pc |
| Sales key | AB17 |
| Product key | ABNNDC |
| Catalog page | Page 85 (C-2-2013) |
| GTIN | 4017918910341 |
| Weight per piece (including packing) | 4.993 g |
| Weight per piece (excluding packing) | 4.993 g |
| Customs tariff number | 85389099 |
| Country of origin | DE |

VS-08-A-RJ45/LP-1-IP67 - Panel-mount frame



1689446

<https://www.phoenixcontact.com/us/products/1689446>

Technical data

Product properties

| | |
|---------------------|-------------------|
| Product type | Panel-mount frame |
| Application | PCB |
| Type | Version 6 |
| Number of positions | 8 |
| Connection profile | RJ45 |
| Number of slots | 1 |
| Type | RJ45 |

Data management status

| | |
|------------------|----|
| Article revision | 04 |
|------------------|----|

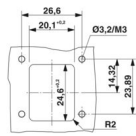
Insulation characteristics

| | |
|---------------------|---|
| Degree of pollution | 2 |
|---------------------|---|

Electrical properties

| | |
|---------------------|--------|
| Transmission medium | Copper |
|---------------------|--------|

Dimensions

| | |
|---------------------|--|
| Dimensional drawing |  |
| Width | 32.5 mm |
| Height | 32.5 mm |
| Depth | 20 mm |
| Length | 20 mm |

Material specifications

| | |
|--|----------------|
| Color | gray |
| Material | Plastic |
| Flammability rating according to UL 94 | V0 |
| Seal material | NBR |
| Seal material, flat gasket | NBR |
| Housing material | Plastic |
| Housing surface material | PA, light gray |
| Contact surface material | Au/Ni |
| Contact carrier material | Polyester GF |

Mechanical properties

Mechanical data

VS-08-A-RJ45/LP-1-IP67 - Panel-mount frame



1689446

<https://www.phoenixcontact.com/us/products/1689446>

| | |
|-----------------------------|--------|
| Insertion/withdrawal cycles | ≥ 1000 |
|-----------------------------|--------|

Environmental and real-life conditions

Ambient conditions

| | |
|---------------------------------|------------------|
| Degree of protection | IP65/IP67 |
| Ambient temperature (operation) | -40 °C ... 80 °C |

Mounting

| | |
|---------------|----------------|
| Mounting type | Front mounting |
|---------------|----------------|

VS-08-A-RJ45/LP-1-IP67 - Panel-mount frame

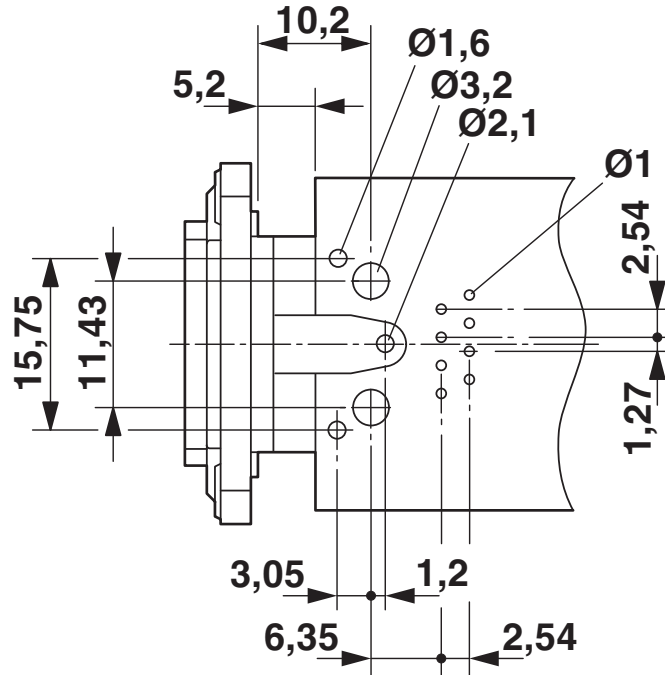


1689446

<https://www.phoenixcontact.com/us/products/1689446>

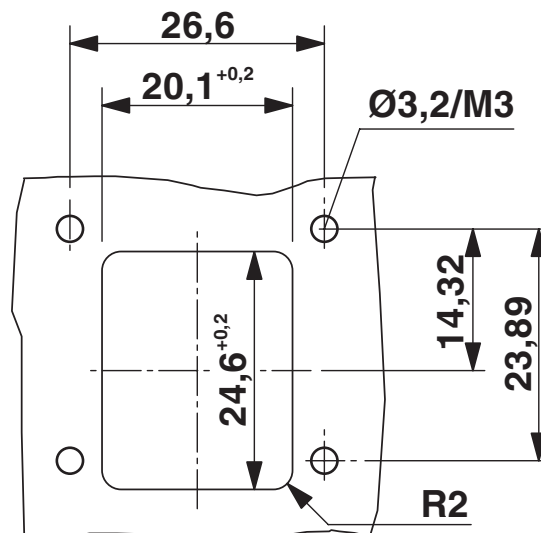
Drawings

Drilling plan/solder pad geometry



Drilling plan for VS-08-BU-RJ45-6/LH-1

Dimensional drawing



Mounting cutout

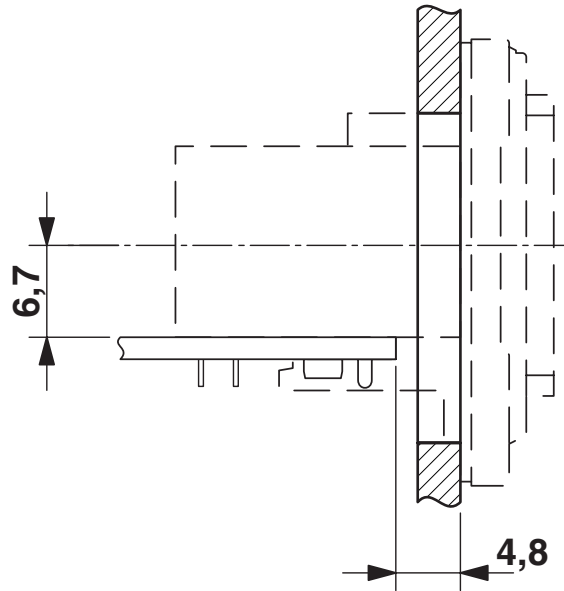
VS-08-A-RJ45/LP-1-IP67 - Panel-mount frame



1689446

<https://www.phoenixcontact.com/us/products/1689446>

Dimensional drawing



Mounting cutout

VS-08-A-RJ45/LP-1-IP67 - Panel-mount frame



1689446

<https://www.phoenixcontact.com/us/products/1689446>

Classifications

ECLASS

| | |
|-------------|----------|
| ECLASS-11.0 | 27440210 |
| ECLASS-12.0 | 27440210 |
| ECLASS-13.0 | 27440210 |

ETIM

| | |
|----------|----------|
| ETIM 9.0 | EC002310 |
|----------|----------|

UNSPSC

| | |
|-------------|----------|
| UNSPSC 21.0 | 39121400 |
|-------------|----------|

VS-08-A-RJ45/LP-1-IP67 - Panel-mount frame



1689446

<https://www.phoenixcontact.com/us/products/1689446>

Environmental product compliance

EU RoHS

| | |
|---|--------------------|
| Fulfills EU RoHS substance requirements | Yes, No exemptions |
|---|--------------------|

China RoHS

| | |
|--|--|
| Environment friendly use period (EFUP) | EFUP-E |
| | No hazardous substances above the limits |

EU REACH SVHC

| | |
|-------------------------------------|----------------------------|
| REACH candidate substance (CAS No.) | No substance above 0.1 wt% |
|-------------------------------------|----------------------------|

Phoenix Contact 2024 © - all rights reserved
<https://www.phoenixcontact.com>

Phoenix Contact USA
586 Fulling Mill Road
Middletown, PA 17057, United States
(+717) 944-1300
info@phoenixcon.com