

# 3613C470K ✓ ACTIVE

Sigma | Sigma 3613

TE Internal #: 1-1624094-6

47  $\mu$ H Molded SMD Inductor, 140 mA, 5 ohm DC Resistance, 50, 10 %, Length 4.5 mm [.177 in], Width 3.2 mm [.125 in], Height 3.2 mm [.125 in], Sigma 3613

[View on TE.com >](#)



Passive Components > Inductors > Molded SMD Inductors



Inductance: **47  $\mu$ H**

Current Rating (Max): **140 mA**

DC Resistance: **5  $\Omega$**

Inductor Quality Factor: **50**

Passive Component Tolerance: **10 %**

## Features

### Product Type Features

Package Size Code	1812
Element Type	Wire Wound

### Electrical Characteristics

Self Resonant Frequency	10 MHz
Inductance	47 $\mu$ H
Current Rating (Max)	140 mA
DC Resistance	5 $\Omega$
Passive Component Tolerance	10 %

### Dimensions

Product Length	4.5 mm [.177 in]
Product Width	3.2 mm [.125 in]
Product Height	3.2 mm [.125 in]

### Usage Conditions

Operating Temperature Range	-30 – 100 $^{\circ}$ C
-----------------------------	------------------------

### Packaging Features

Packaging Method	Taped & Reeled
------------------	----------------

### Other

Inductor Quality Factor	50
-------------------------	----



## Product Compliance

[For compliance documentation, visit the product page on TE.com>](#)

EU RoHS Directive 2011/65/EU	Compliant
EU ELV Directive 2000/53/EC	Compliant
China RoHS 2 Directive MIIT Order No 32, 2016	No Restricted Materials Above Threshold
EU REACH Regulation (EC) No. 1907/2006	Current ECHA Candidate List: JUNE 2024 (241) Candidate List Declared Against: JUNE 2024 (241) Does not contain REACH SVHC
Halogen Content	Not Low Halogen - contains Br or Cl > 900 ppm.
Solder Process Capability	Reflow solder capable to 260°C

### Product Compliance Disclaimer

This information is provided based on reasonable inquiry of our suppliers and represents our current actual knowledge based on the information they provided. This information is subject to change. The part numbers that TE has identified as EU RoHS compliant have a maximum concentration of 0.1% by weight in homogenous materials for lead, hexavalent chromium, mercury, PBB, PBDE, DBP, BBP, DEHP, DIBP, and 0.01% for cadmium, or qualify for an exemption to these limits as defined in the Annexes of Directive 2011/65/EU (RoHS2). Finished electrical and electronic equipment products will be CE marked as required by Directive 2011/65/EU. Components may not be CE marked. Additionally, the part numbers that TE has identified as EU ELV compliant have a maximum concentration of 0.1% by weight in homogenous materials for lead, hexavalent chromium, and mercury, and 0.01% for cadmium, or qualify for an exemption to these limits as defined in the Annexes of Directive 2000/53/EC (ELV). Regarding the REACH Regulation, the information TE provides on SVHC in articles for this part number is based on the latest European Chemicals Agency (ECHA) 'Guidance on requirements for substances in articles' posted at this URL: <https://echa.europa.eu/guidance-documents/guidance-on-reach>

## Compatible Parts

 <p>TE Part # 1-1624094-5 3613C 3.3UH 10%</p>	 <p>TE Part # 2-1624094-2 3613C 0.22UH 20%</p>	 <p>TE Part # 1-1624094-2 3613C 2.2UH 10%</p>	 <p>TE Part # 1624094-2 3613C 100UH 10%</p>
--	---	--	--



TE Part # 1624094-8  
3613C 22UH 10%



TE Part # 1624094-9  
3613C 220UH 10%



TE Part # 1-1624094-3  
3613C 33UH 10%



TE Part # 1-1624094-8  
3613C 4.7UH 10%



TE Part # 2-1624094-4  
3613C 0.47UH 20%



TE Part # 2-1624094-5  
3613C 0.68UH 20%



TE Part # 2-1624094-3  
3613C 0.33UH 20%



TE Part # 1-1624094-7  
3613C 470UH 10%



TE Part # 1-1624094-9  
3613C 5.6UH 10%



TE Part # 1624094-1  
3613C 10UH 10%



TE Part # 1624094-6  
3613C 1.0UH 10%



TE Part # 1-1624094-4  
3613C 330UH 10%



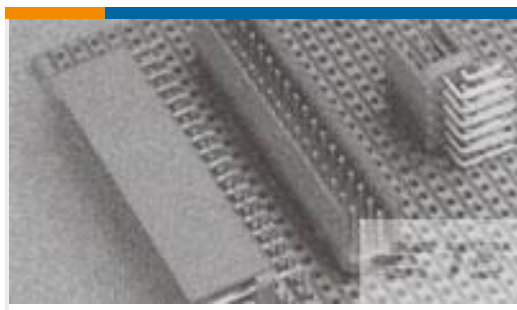
TE Part # 2-1624094-7  
3613C 8.2UH 10%

### Also in the Series | Sigma 3613

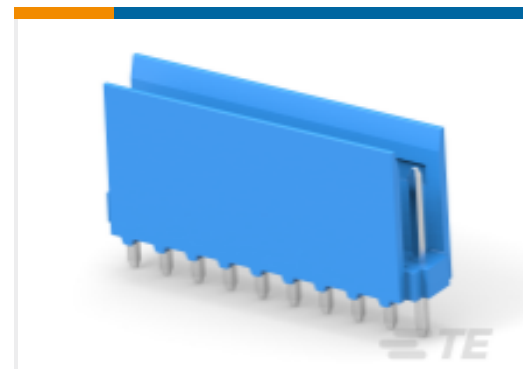


Molded SMD Inductors(19)

### Customers Also Bought



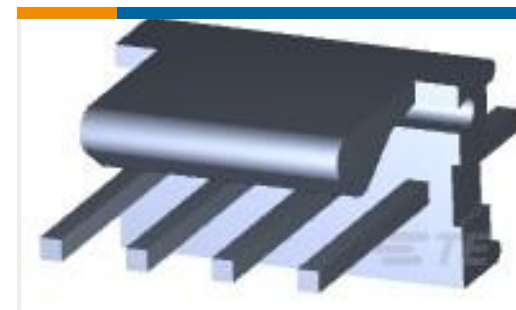
TE Part #281739-3  
HEADER HE14 STRAIGHT 2X3 P



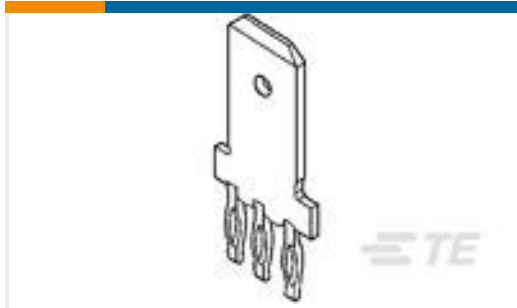
TE Part #281695-5  
HE13/HE14 TH Headers, SRST



TE Part #2199230-5  
M.2 0.5PITCH 4.2H KEY B 30U" AU



TE Part #3-641215-4  
04P MTA100 HDR ASSY FL/ST 30AU



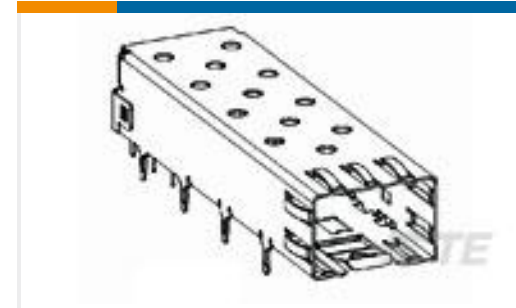
TE Part #216843-1  
250 FASTON,TAB,PCB,TPPB



TE Part #1676411-2  
RN 0805 69K8 0.1% 10PPM 1KRL



TE Part #5179030-3  
0.8FH,P07H.5,080,08/Sn,TU



TE Part #2227303-3  
CAGE ASSEMBLY, SFP, .071 TAIL



TE Part #2176377-4  
RQ 0805 143K 0.1% 10PPM 1K RL

## Documents

### Product Drawings

[3613C 47UH 10%](#)

English

### CAD Files

Customer View Model

[ENG\\_CVM\\_CVM\\_1-1624094-6\\_BB.2d\\_dxf.zip](#)

English

### 3D PDF

3D

Customer View Model

[ENG\\_CVM\\_CVM\\_1-1624094-6\\_BB.3d\\_igs.zip](#)

English

Customer View Model

[ENG\\_CVM\\_CVM\\_1-1624094-6\\_BB.3d\\_stp.zip](#)

English

By downloading the CAD file I accept and agree to the [Terms and Conditions](#) of use.

## Datasheets & Catalog Pages

3613C470K

47  $\mu$ H Molded SMD Inductor, 140 mA, 5 ohm DC Resistance, 50, 10 %, Length 4.5 mm [.177 in], Width 3.2 mm [.125 in], Height 3.2 mm [.125 in], Sigma 3613



**1309350\_PASSIVE\_COMPONENT**

English

**Moulded Chip Inductor 18:12 - Type 3613C Series - Tyco Electronics Passives**

English