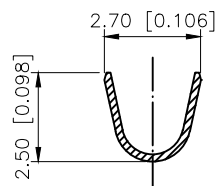
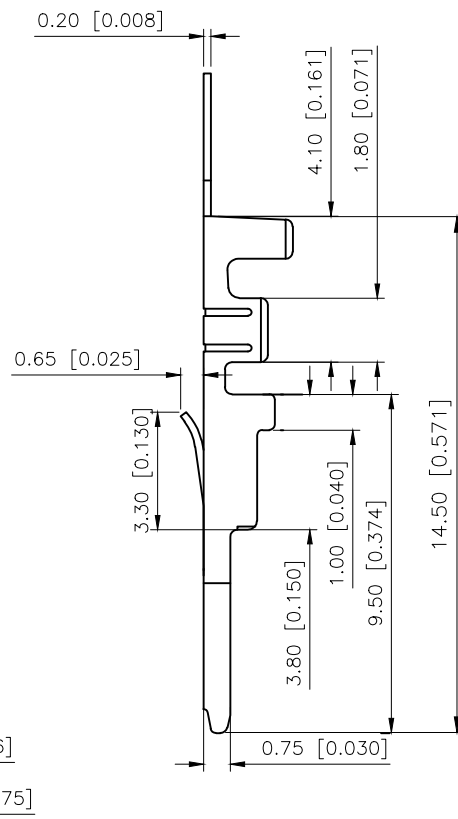
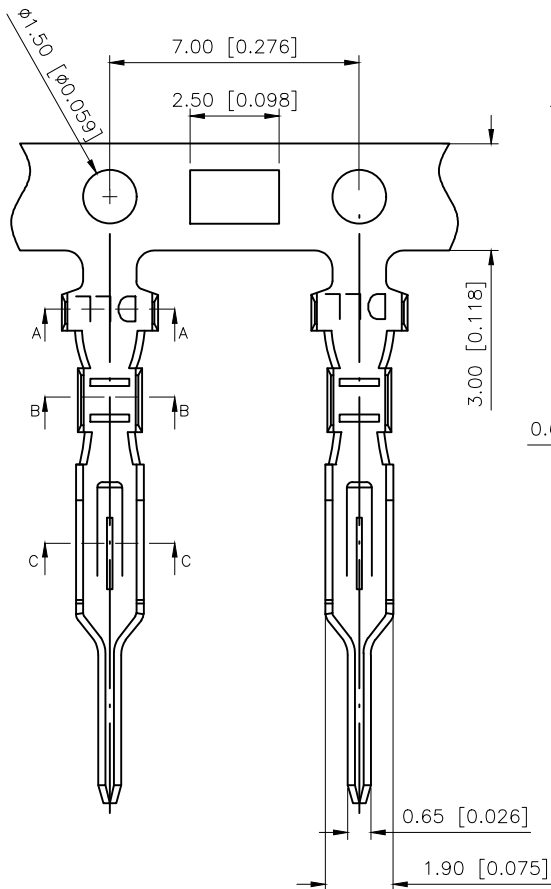
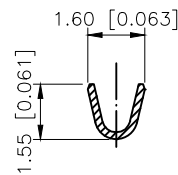


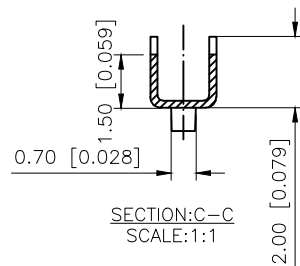
REVISIONS					
REV.	ECN NO.	LOCATION	DESCRIPTION	DATE	DESIGN
A0	N/A		INITIAL RELEASE	/	/
A1	N/A		图面升级整理图面	2025.03.01	阿树



SECTION:A-A
SCALE:1:1



SECTION:B-B
SCALE:1:1



SECTION:C-C
SCALE:1:1

Specifications:

规格:

Voltage rating:250V AC/DC

额定电压: 250V AC/DC

Current rating:3A AC/DC

额定电流: 3A AC/DC

Withstanding voltage:800V AC/minute

耐受电压: 800V AC/分钟

Temperature range:-40°C-+125°C

温度范围: -40°C-+125°C

Insulation resistance:1000MΩ min

绝缘电阻: 1000MΩ min

Contact resistance:20mΩ max

接触电阻: 20mΩ max

PART NO.:

X2509 I M-P SN

① ② ③ ④ ⑤

①Series Number.

②Category: T-terminal

③Welding Board Angle: M-Male

④Material: P-Phosphor bronze

⑤Plating Category:SN-Bright Tin Plating

X2509TM-PSN	Phosphor bronze	AWG#22~28	1.2~1.9mm(Max)	Stamping Before Pating:30u''Ni MIN;70'' Sn MIN	X2509HF
PART NO	Material	Wire Range	Insulation O.D.	Finish	Suitable XKB Housing

AuGLAR	±5°
X.	±0.40
X.x	±0.30
X.xx	±0.20
X.xxx	±0.15
UNSPECIFIED TOLERANCES	



DESIGN	阿树
CHECKED	
APPROVED	

VIEW:	
UNIT:	mm/in
SIZE:	A4

MODEL TYPE:	2.50mm Crimp Style Connector
PART NO.:	X2509TM-PSN
DWG NO.:	