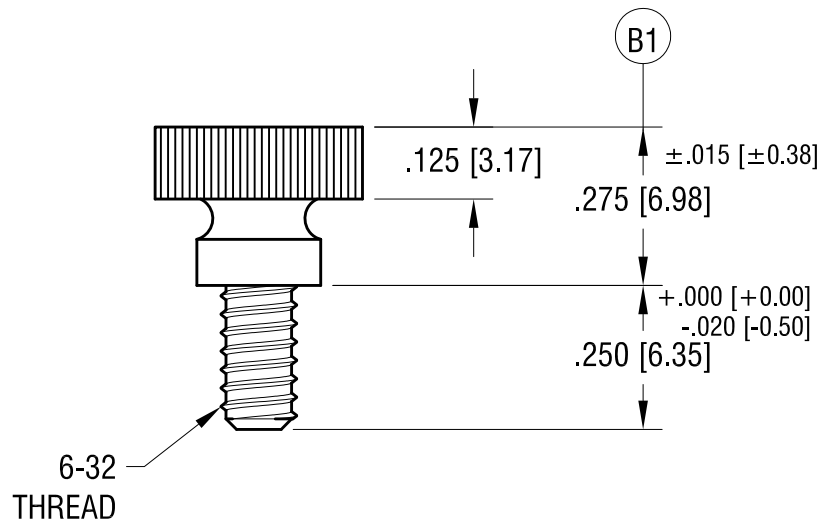
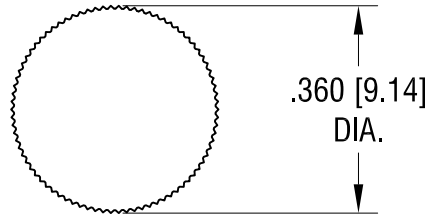


THIS DOCUMENT IS THE PROPERTY OF
KEYSTONE ELECTRONICS CORP. AND
SHALL NOT BE REPRODUCED, DISTRIBUTED
OR USED AS A BASIS FOR MANUFACTURE
WITHOUT PRIOR WRITTEN PERMISSION
FROM KEYSTONE ELECTRONICS CORP.

ACTUAL SIZE



9.14.21	B1 WAS .275±.010 CHANGE AS PER ECN 21-106	B
8.04.11	CHANGE AS PER ECN 11-100	A
DATE	DESCRIPTION	REV.

KEYSTONE ELECTRONICS CORP.			
www.keyelco.com • NEW HYDE PARK, NY 11040 • Tel (516) 328-7500			
PART NAME KNURL HEAD THUMB SCREW			
MATERIAL NYLON 6/6			
FINISH NONE		DRN BY NT	DATE 3.22.11
		APP'D RH	SCALE 3X
TOLERANCES DECIMAL ANGULAR ± 1° UNLESS OTHERWISE SPECIFIED	INCH [MM] ± .010 [± 0.25]	CODE C	DWG NO. 2503