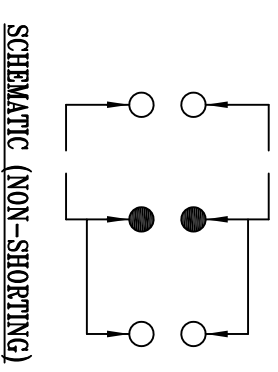
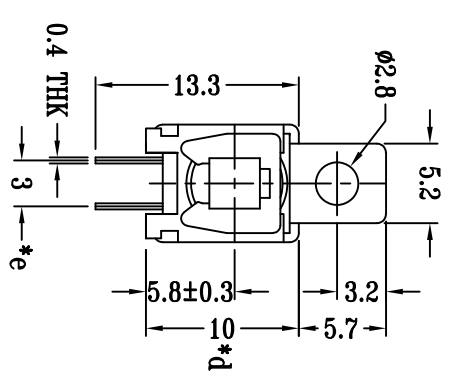
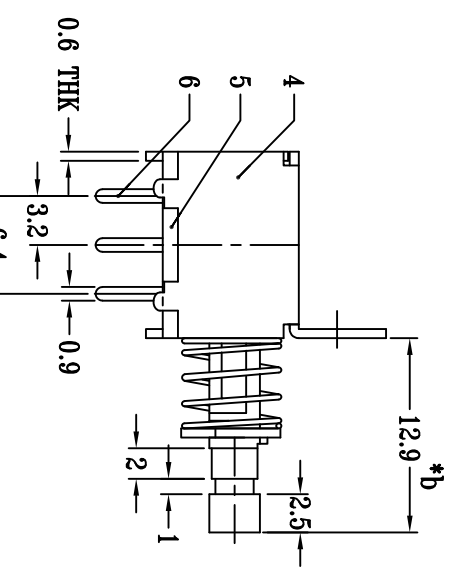


P.C.B LAYOUT
BOTTOM VIEW



SCHEMATIC (NON-SHORTING)

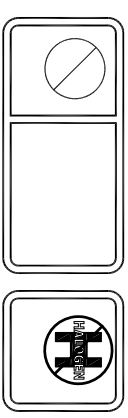
PS-22F07XX



注：“*”表示关键尺寸(5个).

G-Switch Specification:

- Electrical Specifications: 0.5A 30VDC
- Contact Resistance: ≤100mΩ
- Insulation Resistance: ≥100MΩ DC125V
- Withstand Voltage: AC125V 1 minute
- Operating Temperature: -25°C~+65°C
- Storage Humidity: ≤85%RH
- Electrical Life: 10,000
- Mechanical Life: 100,000



G-Switch Electronic (HongKong) CO.,Ltd.

Unless otherwise specified, Tolerance:	±0.30	DESIGN	Bright Lee	DATE	2016.05.29	Mold code:	
X	±0.20	CHECKED		DATE			
X.XX	±0.15	APPROVED		DATE			
X.XXX	±0.10						
X.XXX	±3						
Angles							
				REV:	X1	SCALE:	4:1
				UNIT:			mm
				SIZE:	A4	SHEET:	1/1
				TEL:	0769-82388879		
				http://www.dg-switch.com			
				PS-22F07			