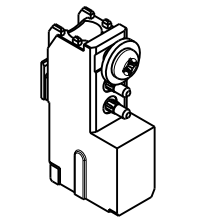


ZONE	REV	SCR NUMBER	DESCRIPTION	BY	DATE	APPROVED
ALL	A	DMAR-8EMMNB.VER01	NEW RELEASE	HCL-RP	05/03/2011	D.MANTER
	B	DSMH-8HFNPH.VER01	UPDATED GUIDE MODULE	HCL-VH	06/13/2011	D.SMITH
	C	MSPE-9B9JQS.VER01	CHANGED DIMENSIONS TO ONE DECIMAL	HCL-PG	09/10/2013	M.SPACONE
	D	TNIF-AGLMW X.VER01	ADDED NOTE 11	HCL-DC	12/14/2016	T.NIERENDORF

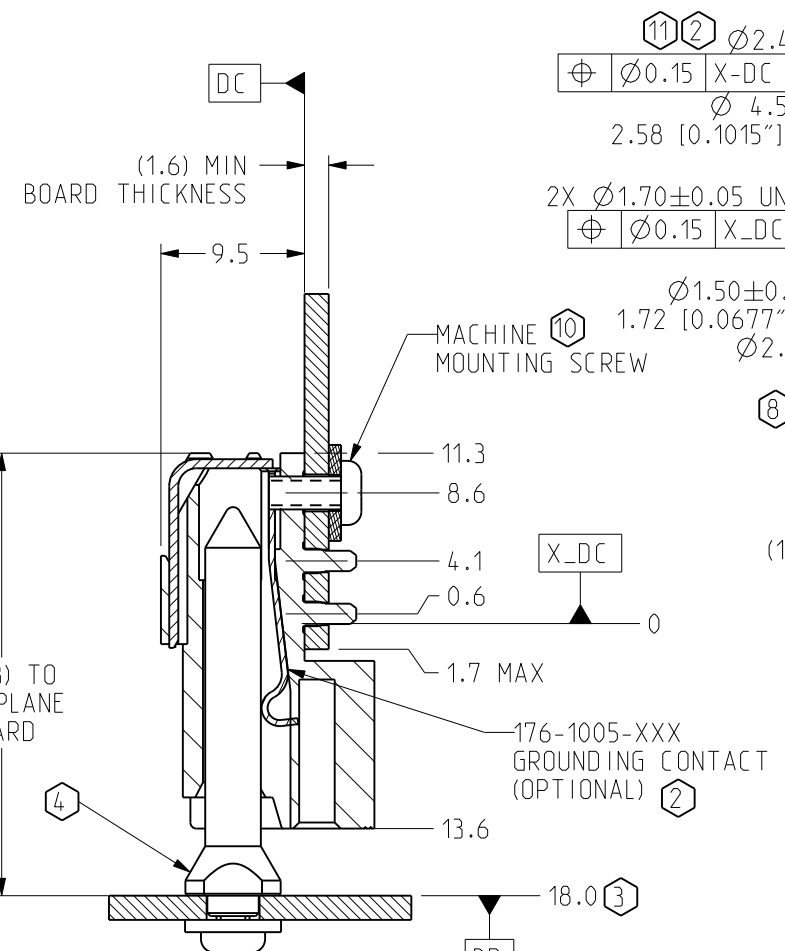
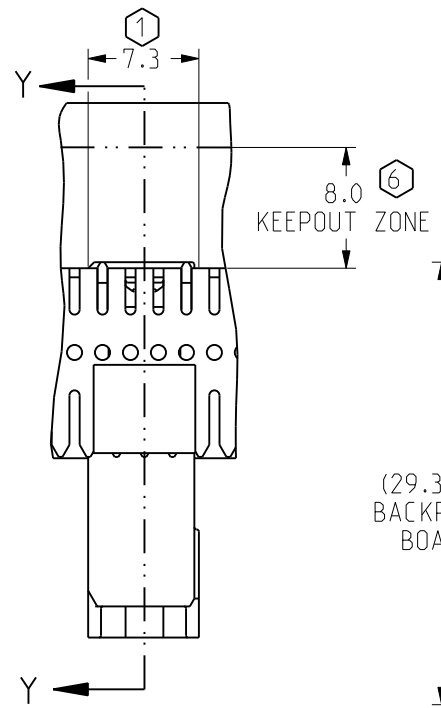
PART NUMBER NO GROUND-CONTACT	KEY_POSITION	PART NUMBER WITH GROUND-CONTACT	KEY_POSITION
960-201A-A0A	A	960-201A-A0B	A
960-201B-A0A	B	960-201B-A0B	B
960-201C-A0A	C	960-201C-A0B	C
960-201D-A0A	D	960-201D-A0B	D
960-201E-A0A	E	960-201E-A0B	E
960-201F-A0A	F	960-201F-A0B	F
960-201G-A0A	G	960-201G-A0B	G
960-201H-A0A	H	960-201H-A0B	H
960-201Y-A0A	NO KEY	960-201Y-A0B	NO KEY



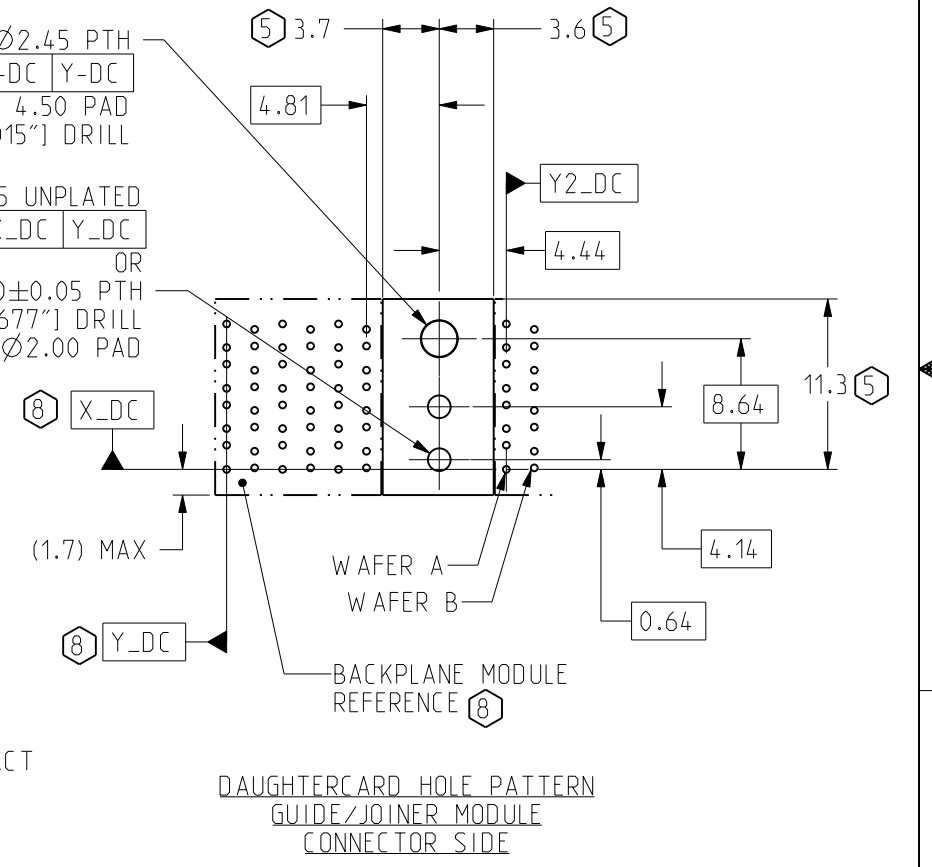
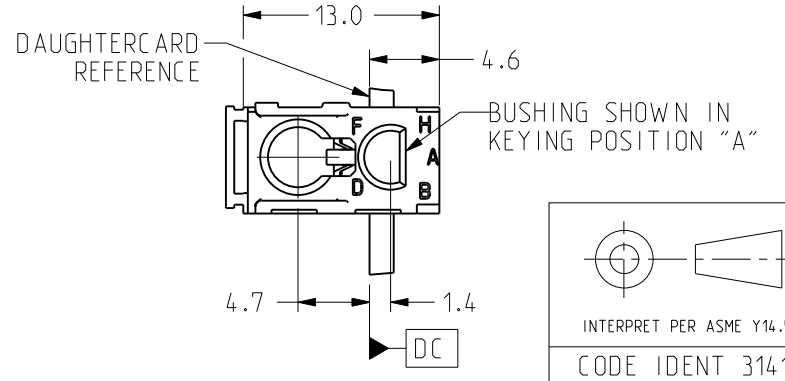
**ISOMETRIC VIEW**  
SCALE 1/1

NOTES:

- ① USE 7.4 NOMINAL FOR DAUGHTERCARD LAYOUT.
- ② PLATED THROUGH HOLE TO CONNECT TO CHASSIS FOR FIRST MATE GROUND OPTION THROUGH GUIDE PIN. SEE TB-2149 FOR ROUTING GUIDELINES. USE UNPLATED THROUGH HOLE FOR UNGROUNDED MODULE.
- ③ NOMINAL DIMENSION FOR FULLY SEATED CONNECTOR.
- ④ FOR MATING GUIDE PIN DETAIL AND LOCATION. SEE: DRAWING C942-2000-500 FOR STANDALONE GUIDE PIN. OR DRAWING C942-2010-500 FOR MODULE MOUNTED GUIDE PIN.
- ⑤ NO SURFACE TRACES IN KEEPOUT ZONE.
- ⑥ FOR CONNECTOR REPAIRABILITY, REFER TO TB-2149 FOR KEEPOUT ZONE DIMENSIONS.
- 7. SEE TB-2211 FOR BOARD WEIGHT LIMITATIONS.
- ⑧ REFER TO C950-2X0A-500 FOR SIGNAL CONNECTOR DETAIL.
- 9. REFER TO TB-2150 FOR XCede PRODUCT SPECIFICATIONS.
- ⑩ SCREW LENGTH AND PART NUMBER ARE DEPENDENT ON DAUGHTERCARD THICKNESS (AS SPECIFIED FROM CONFIGURATOR).
- ⑪ UNPLATED HOLE DIAMETER IS 2.45 (2.58 DRILL DOES NOT APPLY TO UNPLATED)



**SECTION Y-Y**  
SCALE 2/1



**DAUGHTERCARD HOLE PATTERN  
GUIDE/JOINER MODULE  
CONNECTOR SIDE**

TOLERANCES	DESIGN	DATE	BY
0.0	±0.25	09/01/2006	C.LEIGHTON
0.00	±0.13	09/06/2007	LEIGHTON
0.000	± -	09/06/2007	A.PFAHNL
ANGLES	± 3°	09/06/2007	D.MANTER

**Amphenol TCS**  
A Division of Amphenol Corporation  
200 Innovative Way, Nashua, NH 03062 603.879.3000

TITLE: DAUGHTERCARD DIE CAST GUIDE MODULE  
XCede 2 PAIR

PART NO. SEE TABLE REV N/A

DRAWING NO. C-960-201Y-500 REV D

ASSEM: Q1109-CONNECTOR2-GUIDED-CAST DRAWING: C960-201Y-500 2.4 C.1

SIZE B SCALE 2/1 SHEET 1 OF 1

UNLESS OTHERWISE SPECIFIED DIMENSIONS ARE IN MM. DECIMAL MARKER IS A PERIOD

**CUSTOMER USE  
DRAWING**

INTERPRET PER ASME Y14.5M  
CODE IDENT 31413

DRW NO. C-960-201Y-500 SH 1 REV D