

25

P 126

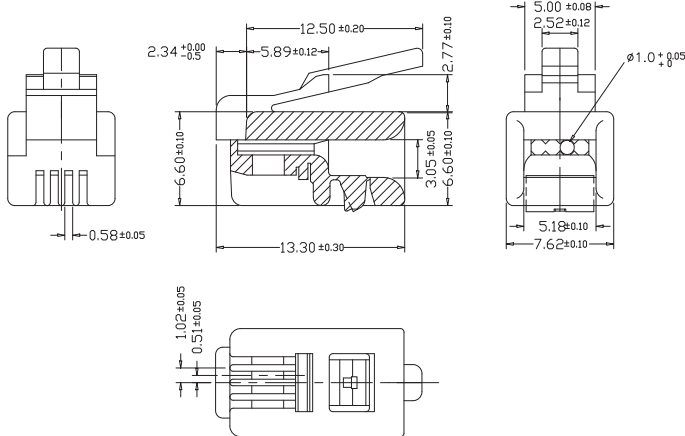
Modular connectors



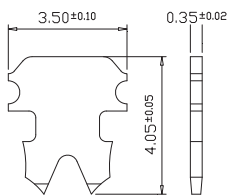
Modular plug, 4p4c (RJ10), with locking latch, piercing technology

25

P 126



*a



*a piercing contact

Environmental conditions

Temperature range -40 °C/+125 °C

Materials

Insulating body PC, V-2 according to UL94
Contact CuSn, gold-plated

Connectable conductors for piercing area

Section AWG 26–24, 0.128–0.241 mm²
Construction flat cable
Stripping length cable jacket 6 mm

Electrical data (at T_{amb} 20 °C)

Rated current 1.5 A
Rated voltage 250 V AC
Insulation resistance 500 MΩ

Associated products

Counterparts

Harnessing equipment

[ZP25-2](#)

[ZP25-3](#)

25

P 126

| Designation | Pole Number | PU (Pieces) | MDQ (Pieces) |
|-------------|-------------|-------------|--------------|
| P 126 | 4 | 1000 | 4000 |

Packaging:

in bulk, in a cardboard box or a plastic bag