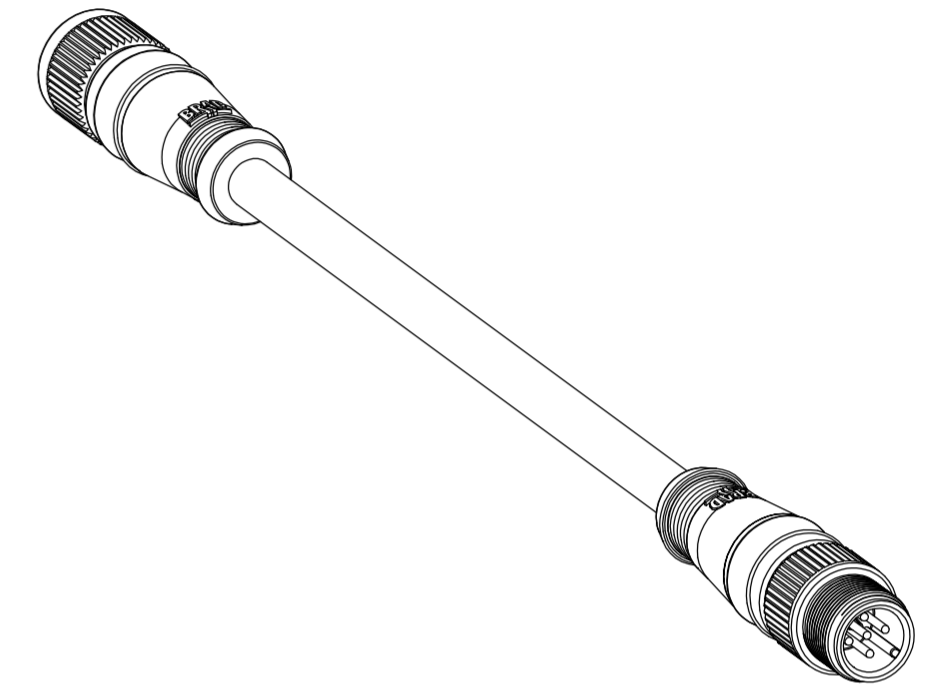
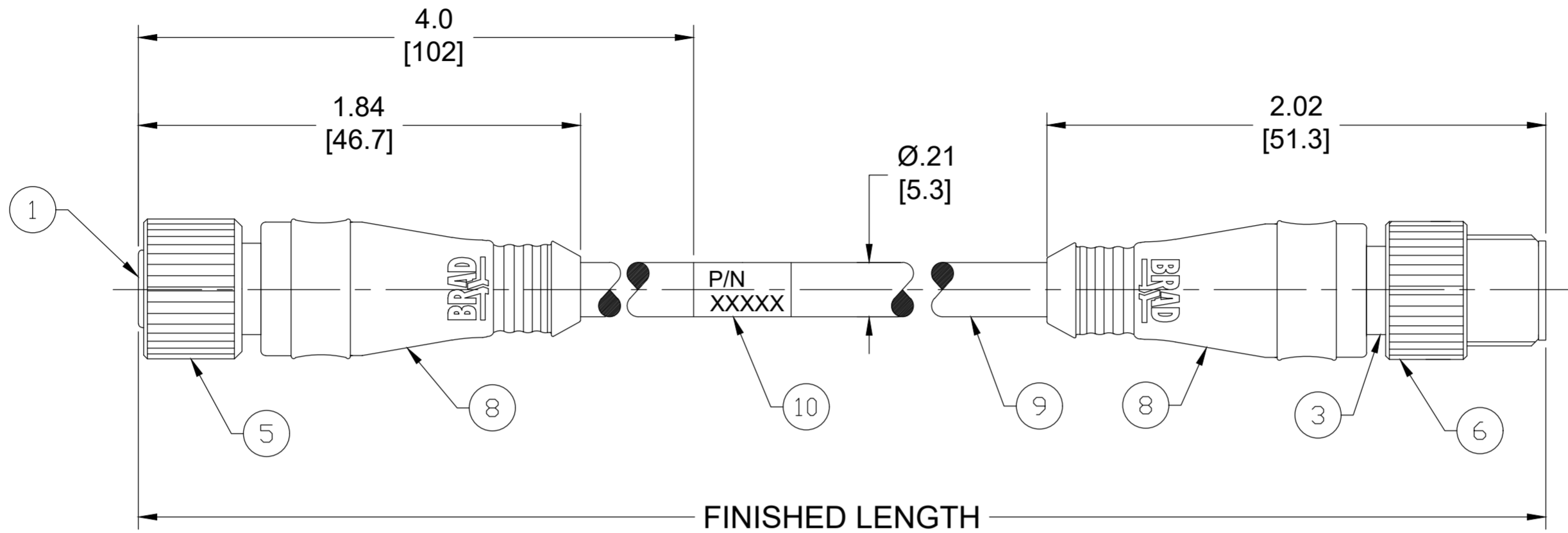
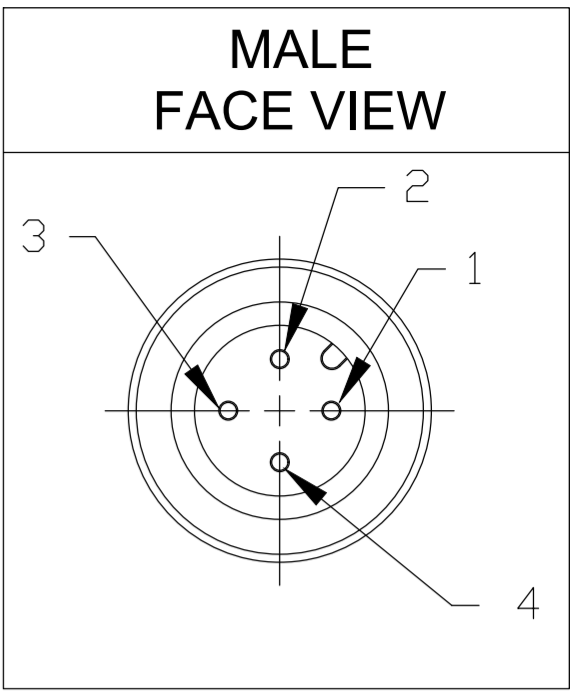
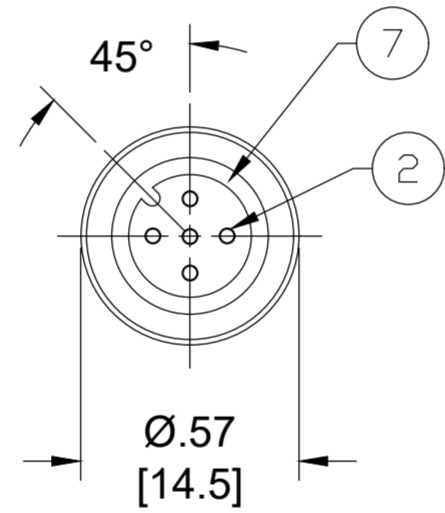


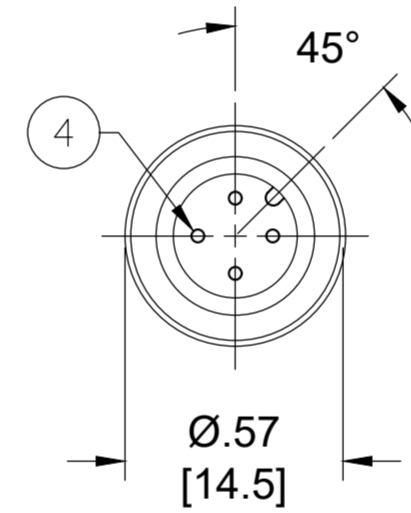
PART NO	ENGINEERING NO.	FINISHED LENGTH
1200660259	884030A09M003	0.3M [1FT]
1200660297	884030A09M100	10M [32FT 9 IN]
1200661907	884030A09M350	35M [114FT 10 IN]



- NOTES:**
- MATERIAL: AS NOTED
 - FINISH: AS NOTED
 - ELECTRICAL:
VOLTAGE: 250V
CURRENT: 4A
 - TEMP RATING: -20°TO +105°C
 - PROTECTION: IP67 (WHEN MATED)
 - COUPLING THREAD: M12X1
 - UL RECOGNIZED FILE: E152210
CSA CERTIFIED FILE: LR6837
 - ALL DIMENSIONS ARE FOR REFERENCE UNLESS TOLERANCED OR NOTED OTHERWISE



FEMALE FACE VIEW



MALE FACE VIEW

1	BROWN	1
2	WHITE	2
3	BLUE	3
4	BLACK	4

WIRING DIAGRAM

10	LABEL	VINYL	BLACK/YELLOW
9	CABLE #22 AWG,	PVC	YELLOW
8	OVERMOLD	TPU	YELLOW
7	O-RING	VITON	RED
6	MALE COUPLING NUT	BRASS	NICKEL PLATED
5	FEMALE COUPLING NUT	BRASS	NICKEL PLATED
4	CONTACT PIN	COPPER ALLOY	GOLD OVER NICKEL
3	MALE INSERT	PUR	BLACK
2	CONTACT SOCKET	COPPER ALLOY	GOLD OVER NICKEL
1	FEMALE INSERT	PUR	BLACK
ITEM	COMPONENT	MATERIAL	FINISH

PART NO. MATRIX
884030A09M003
 FINISHED LENGTH
 M005 = 0.5 METER
 M010 = 1 METER
 M100 = 10 METER

CABLE LENGTH TOLERANCES

<.3M [1FT]:	+19mm-0 [+.75in-0]
.3 - .9M [1 - 3FT]:	+44.5mm-0 [+1.75in-0]
.9 - 1.8M [3 - 6FT]:	+55.6mm-0 [+2.19in-0]
1.8 - 3.7M [6 - 12FT]:	+88.9mm-0 [+3.50in-0]
3.7 - 7.3M [12 - 24FT]:	+165.1mm-0 [+6.50in-0]
7.3-14.6M [24 - 48FT]:	+317.5mm-0 [+12.50in-0]
14.6 - 30.5M [48-100FT]:	+622.3mm-0 [+24.50in-0]
OVER 30M [100FT]	+2% OF FINISHED LENGTH

THIS DRAWING CONTAINS INFORMATION THAT IS PROPRIETARY TO MOLEX ELECTRONIC TECHNOLOGIES, LLC AND SHOULD NOT BE USED WITHOUT WRITTEN PERMISSION											
FUNCTIONAL SYMBOLS		DIMENSION UNITS		SCALE		CURRENT REV DESC: ITEM #8 WAS PUR ITEM #10 WAS MYLAR. ADDED TOL CHART & PN MATRIX. MODIFIED PN CHART					
FA=0		INCH/MM		NTS							
FC=0		GENERAL TOLERANCES (UNLESS SPECIFIED)									
FP=0		mm		INCH							
DIVISIONAL SYMBOLS		4 PLACES		±----		±----		EC NO: 671333			
		3 PLACES		±----		±----		DRWN: ABENJAMINLW 2021/05/03			
		2 PLACES		±----		±----		CHK'D: RSTONE 2021/07/23			
		1 PLACE		±----		±----		APPR: BWOODMAN 2021/07/28			
		0 PLACES		±----		±----		INITIAL REVISION:			
		ANGULAR TOL ± --- °						DRWN: BWOODMAN 2009/03/27			
		DRAFT WHERE APPLICABLE MUST REMAIN WITHIN DIMENSIONS						APPR: JFMURPHY 2009/04/01			
		THIRD ANGLE PROJECTION		DRAWING		SERIES		MATERIAL NUMBER		CUSTOMER	
		C-SIZE		120066		SEE CHART		GENERAL MARKET		SHEET NUMBER	
										1 OF 1	

molex

MICRO-CHANGE CORDSET, M12,
4 POLE, FEMALE-MALE, STRAIGHT,
SINGLE KEY, #22 AWG

PRODUCT CUSTOMER DRAWING

DOCUMENT NUMBER DOC TYPE/DOC PART REVISION

SD-120066-005 PSD 001 B

SEE CHART GENERAL MARKET

1 OF 1