

PACT MCR-V1-21-44-250-5A-1 - Current transformer



2277048

<https://www.phoenixcontact.com/us/products/2277048>

Please be informed that the data shown in this PDF document is generated from our online catalog. Please find the complete data in the user documentation. Our general terms of use for downloads are valid.



Bus-bar current transformer, 250 A AC primary current; 5 A AC secondary current; accuracy class 1; 5 VA rated power

Commercial data

Item number	2277048
Packing unit	1 pc
Minimum order quantity	1 pc
Sales key	C444
Product key	CK4A11
Catalog page	Page 211 (C-5-2019)
GTIN	4046356305105
Weight per piece (including packing)	204.3 g
Weight per piece (excluding packing)	180.9 g
Customs tariff number	85043129
Country of origin	DE

2277048

<https://www.phoenixcontact.com/us/products/2277048>

Technical data

Product properties

Product type	Current transformer
Data management status	
Article revision	04

Electrical properties

Rated insulation voltage	1 kV (Phase/neutral conductor)
General	
Can be calibrated	no
Converter type	Bus-bar current transformer

Input data

Current transformer	
Rated power	5 VA
Thermal rated short-time current	$I_{th} = 60 * I_n$
Thermal rated continuous current	$I_d = 1.2 * I_n$
Rated surge current	$I_{dyn} = 2.5 * I_{th}$
Rated frequency f_n	50 Hz
	60 Hz
Primary rated current I_{pn}	0 A AC ... 250 A AC
Can be calibrated	no
Converter type	Bus-bar current transformer

Output data

Signal	
Designation	Current output
Secondary rated current I_{sn}	5 A AC
Surge current limitation factor	FS 5
Accuracy class	1

Connection data

Connection method	Screw connection
Conductor cross section flexible	2x 10 mm ² (Secondary terminals)
Tightening torque	2 Nm

Dimensions

Item dimensions	
Width	31 mm
Height	68 mm

PACT MCR-V1-21-44-250-5A-1 - Current transformer



2277048

<https://www.phoenixcontact.com/us/products/2277048>

Depth	44 mm
-------	-------

Item dimensions with alternative mounting

Width	44 mm
Height	68 mm
Depth	31 mm

Circular conductor

Diameter	20 mm
----------	-------

Material specifications

Color	gray (RAL 7042)
Housing material	PA 6.6

Environmental and real-life conditions

Ambient conditions

Ambient temperature (operation)	-25 °C ... 40 °C
Ambient temperature (storage/transport)	-25 °C ... 40 °C
Altitude	≤ 1000 m
Permissible humidity (operation)	Use only indoors, non-condensing
Insulating material class	H

Approvals

CE

Certificate	CE-compliant
-------------	--------------

UKCA

Certificate	UKCA-compliant
-------------	----------------

UL, USA/Canada

Identification	XODW8.E323953
----------------	---------------

Standards and regulations

Standards/regulations	EN 61869
-----------------------	----------

Mounting

Mounting type	DIN rail mounting
	Wall mounting

PACT MCR-V1-21-44-250-5A-1 - Current transformer

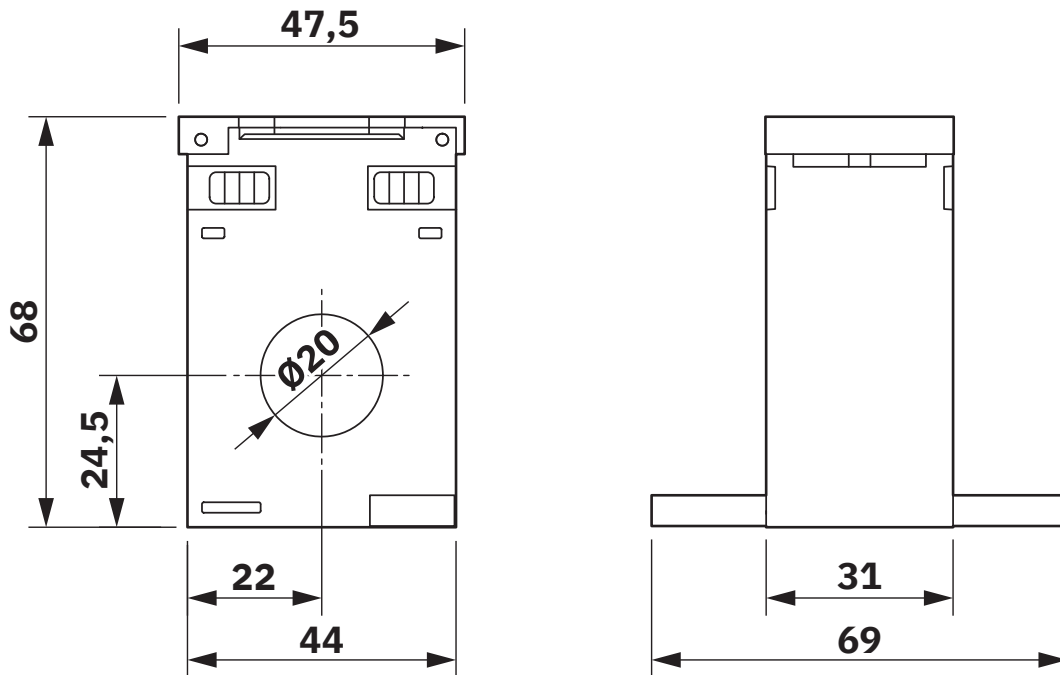


2277048

<https://www.phoenixcontact.com/us/products/2277048>

Drawings

Dimensional drawing



PACT MCR-V1-21-44-250-5A-1 - Current transformer



2277048

<https://www.phoenixcontact.com/us/products/2277048>

Approvals

To download certificates, visit the product detail page: <https://www.phoenixcontact.com/us/products/2277048>



EAC

Approval ID: RU*DE*08.B.01187/19



cULus Recognized

Approval ID: E323953

PACT MCR-V1-21-44-250-5A-1 - Current transformer



2277048

<https://www.phoenixcontact.com/us/products/2277048>

Classifications

ECLASS

ECLASS-11.0	27210902
ECLASS-13.0	27210902
ECLASS-12.0	27210902

ETIM

ETIM 9.0	EC002048
----------	----------

UNSPSC

UNSPSC 21.0	39121000
-------------	----------

PACT MCR-V1-21-44-250-5A-1 - Current transformer



2277048

<https://www.phoenixcontact.com/us/products/2277048>

Environmental product compliance

EU RoHS

Fulfills EU RoHS substance requirements	Yes, No exemptions
---	--------------------

China RoHS

Environment friendly use period (EFUP)	EFUP-E
	No hazardous substances above the limits

EU REACH SVHC

REACH candidate substance (CAS No.)	No substance above 0.1 wt%
-------------------------------------	----------------------------

Phoenix Contact 2024 © - all rights reserved
<https://www.phoenixcontact.com>

Phoenix Contact USA
586 Fulling Mill Road
Middletown, PA 17057, United States
(+717) 944-1300
info@phoenixcon.com