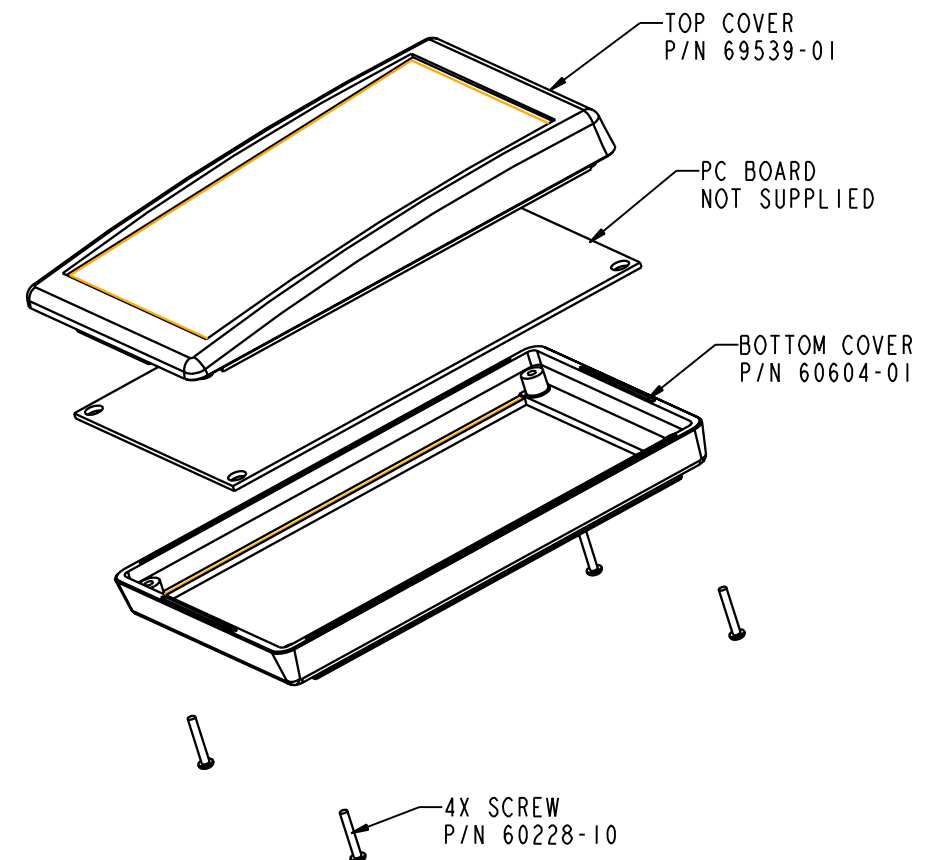
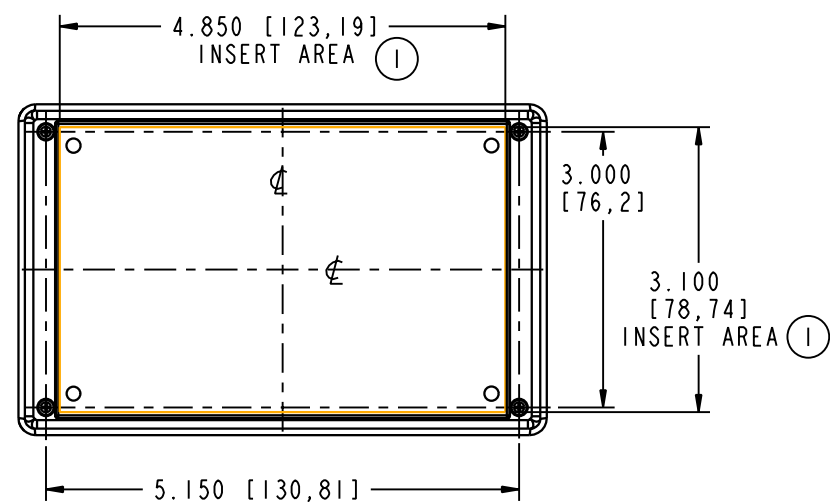
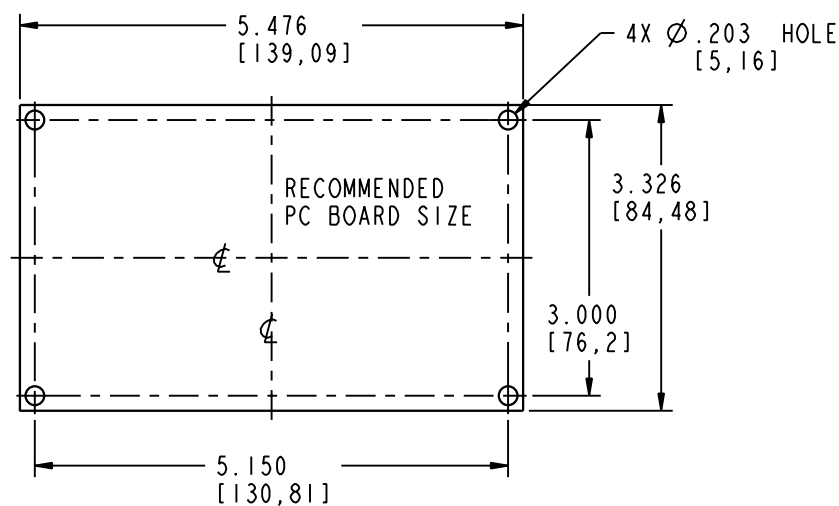
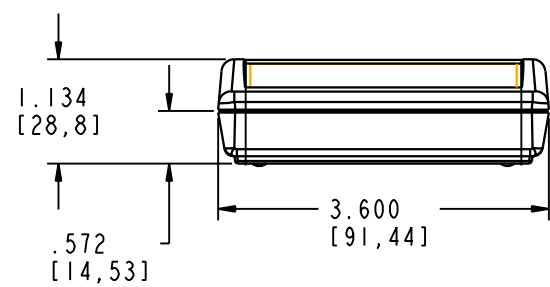
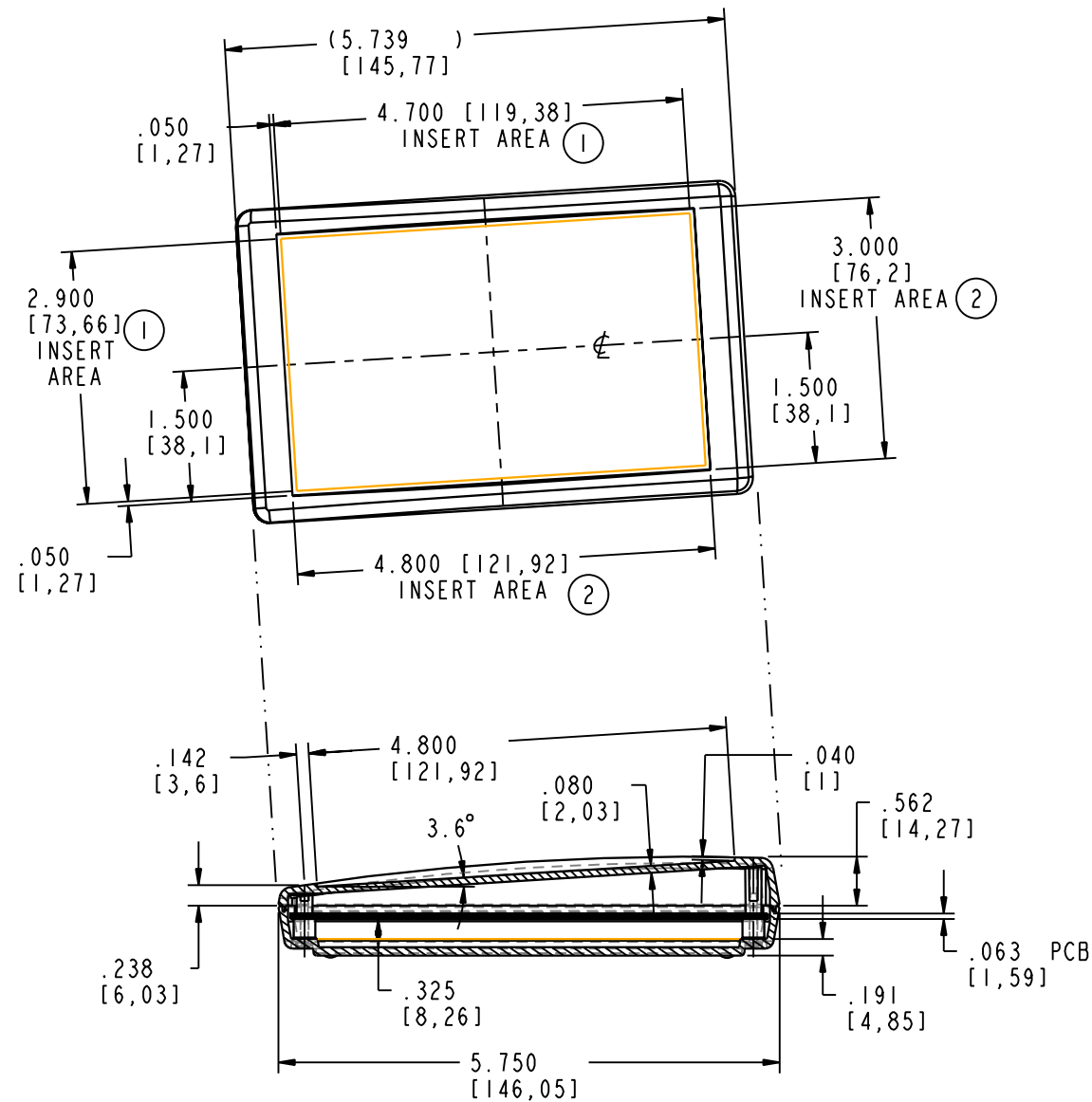


INTERIOR VIEW OF  
BOTTOM COVER



NOTES

- ① EXTERIOR INSERT AREA FOR IN MOLD MODIFICATION.
- ② INTERIOR INSERT AREA FOR IN MOLD MODIFICATION.

**PACNTEC**<sup>®</sup>  
1-610-361-4231

**SH**

VISIT **PACNTEC**<sup>®</sup>  
ON THE WORLD WIDE WEB  
[www.pactecenclosures.com](http://www.pactecenclosures.com)

COLOR / MATERIAL CODE		
COLOR	94HB	94VO
BLACK	000	028
P. C. BONE	039	060

DRAWING NUMBER	REV
79767	D

# Mouser Electronics

Authorized Distributor

Click to View Pricing, Inventory, Delivery & Lifecycle Information:

[PacTec:](#)

[70210-510-000 K-SH-4AA-BLACK Kit](#) [70242-510-000 SH-LP Black Kit](#) [70218-510-000 SH-XH Black Kit](#) [70030-510-000 SH Black Kit](#)