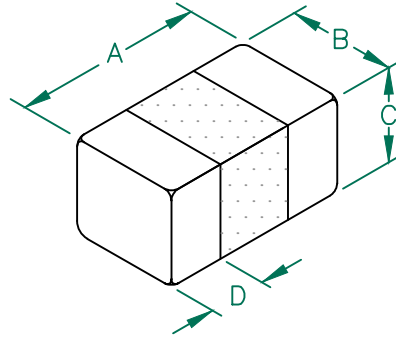


LI0402E300R-10

PHYSICAL DIMENSIONS:

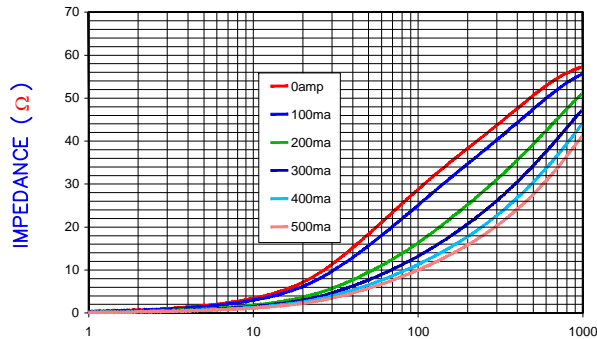
A	1.01 [.040]	+ / -	0.18 [.007]
B	0.50 [.020]	+ / -	0.20 [.008]
C	0.50 [.020]	+ / -	0.20 [.008]
D	0.30 [.012]	+ / -	MAX.



ELECTRICAL CHARACTERISTICS:

	Z @ 100MHz (Ω)	DCR (Ω)	Rated Current
Nominal	30		
Minimum	23		
Maximum	38	0.30	500 mA

Z vs FREQUENCY
IMPEDANCE UNDER DC BIAS



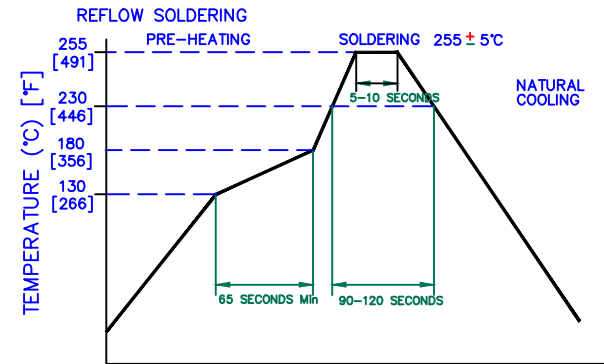
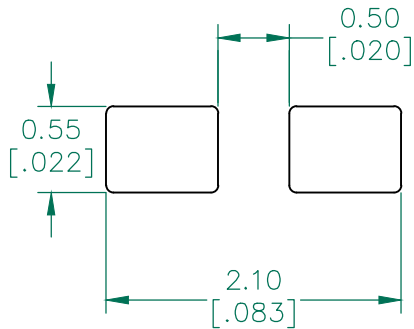
NOTES: UNLESS OTHERWISE SPECIFIED

1. TAPED AND REELED per CURRENT EIA SPECIFICATIONS 7" REELS, 10,000 PCS/REEL, PAPER TAPE.
2. TERMINATION FINISH IS 100% TIN.
3. COMPONENTS SHOULD BE ADEQUATELY PREHEATED BEFORE SOLDERING.
4. OPERATING TEMP. RANGE: -40°C~+125°C. (INCLUDING SELF-HEATING)
5. COSMETIC SPECIFICATION REFER TO WI-QA-124.

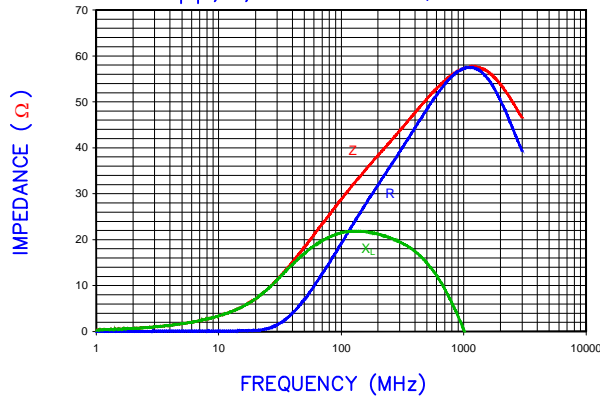
LAND PATTERNS FOR REFLOW SOLDERING

RECOMMENDED SOLDERING CONDITIONS

FREQUENCY (MHz)



|Z|, R, AND X vs. FREQUENCY



(For wave soldering, add 0.762 [.030] to this dimension.)



DIMENSIONS ARE IN mm [INCHES].				This print is the property of Laird Tech. and is loaned in confidence subject to return upon request and with the understanding that no copies shall be made without the written consent of Laird Tech. All rights to design or invention are reserved.		Laird	
E	ADD OPERATING TEMPERATURE UPDATE LAIRD LOGO AND REFLOW CURVE	08/05/13	QU	PROJECT/PART NUMBER:	REV	PART TYPE:	DRAWN BY:
D	UPDATE COMPANY LOGO	07/09/08	JRK	LI0402E300R-10	E	CO-FIRE	TMB
C	CHANGE REEL QTY FROM 4000, ADD PAPER TAPE TO NOTE #1, ADD ROHS SYMBOL	11/14/07	JRK	DATE:	SCALE:	NTS	SHEET:
B	CORRECT REF # FROM 3289 TO 3298	07/22/05	JRK	04/05/04			
A	ORIGINAL DRAFT	04/05/04	TMB	CAD #	TOOL #		1 of 1
REV	DESCRIPTION	DATE	INT	LI0402E300R-10-E			