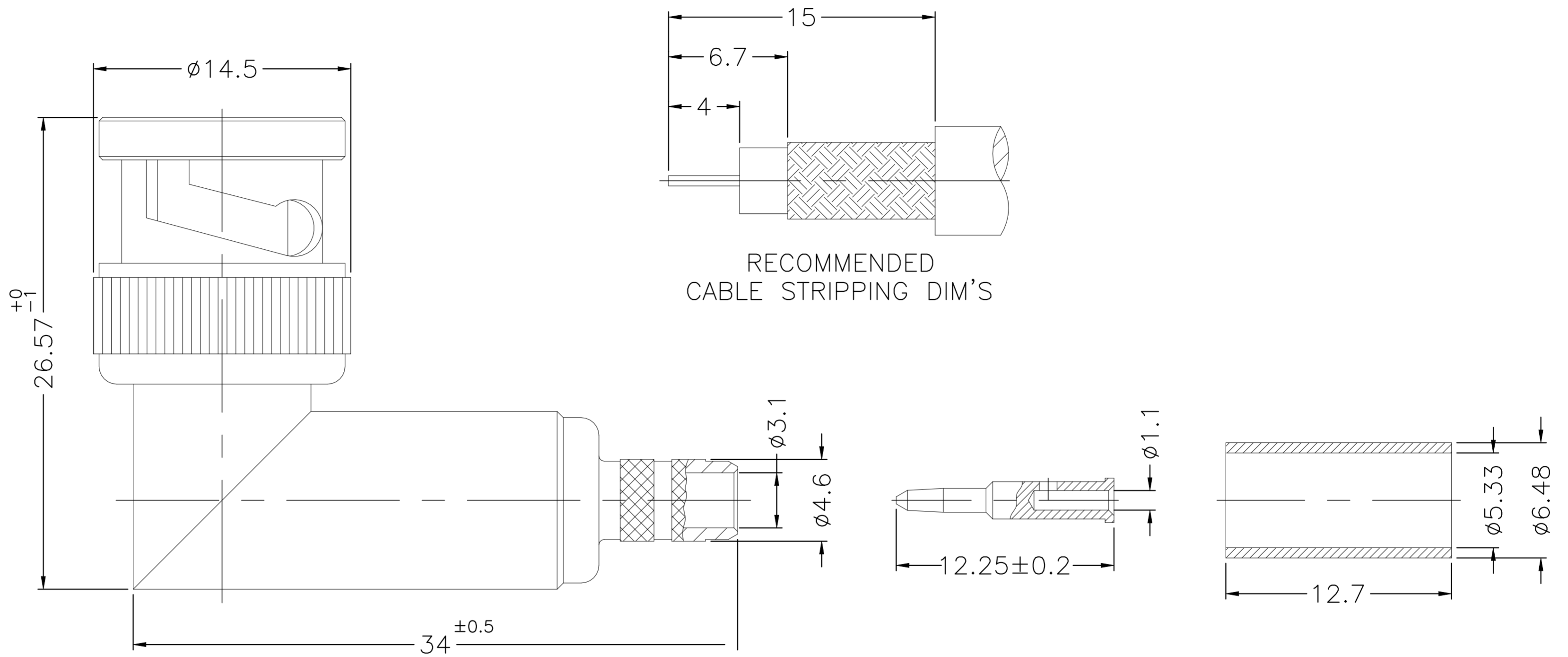


REVISIONS					
P	LTR	DESCRIPTION	DATE	DWN	APVD
A		GTP(ECN-23-231222)	15SEP2023	ED	WH



RECOMMENDED CABLE STRIPPING DIM'S

NOTES:

- 1 PACK IN ACCORDANCE WITH TE SPEC 107-3275;
- 2 ALL DIMENSIONS ARE NOMINAL FOR REFERENCE ONLY UNLESS OTHERWISE STATED;
- 3 ELECTRICAL CHARACTERISTICS :
 FREQUENCY RANGE : DC-4GHz
 NOMINAL IMPEDANCE : 50 OHMS
 INSULATION RESISTANCE : 5000 MOHMS
 WORKING VOLTAGE : 335 VRMS MAX
 DIELECTRIC WITHSTANDING VOLTAGE : 750 VOLTS MAX
 VSWR : 1.2(DC-4GHz)
 CONTACT RESISTANCE :
 CENTER CONTACT : 3 mOHMS MAX
 OUTER CONTACT : 2 mOHMS MAX;
- 4 MECHANICAL CHARACTERISTICS :
 DURABILITY : 500 CYCLES
 CABLE RETENTION FORCE(Cable assembly): 20 lbs min;
- 5 TEMPERATURE RANGE: -65°-+165°;
- 6 RoHS: COMPLIANT;
- 7 CRIMPED FERRULE,HEX CRIMP SIZE .213;
 CRIMPED CONTACT PIN,HEX CRIMP SIZE .068".

QTY	DESCRIPTION	MATERIAL	DESCRIPTION	ITEM
1	BRIGHT TIN 200u"/NICKEL/COPPER	COPPER	FERRULE	13
1	GOLD 50u"/NICKEL/COPPER	BRASS	CONTACT PIN	12
1	NICKEL 100u"/COPPER	BRASS	BARREL	11
1	NATURAL	PTFE	INSULATOR	10
1	NICKEL 100u"/COPPER	BRASS	SHELL	9
1	RED	SILICONE	GASKET	8
1	NICKEL 100u"/COPPER	BERYLLIUM COPPER	OUTER CONTACT	7
1	NICKEL 100u"/COPPER	SK5	SPRING	6
1	NICKEL 100u"/COPPER	BRASS	WASHER	5
1	NATURAL	PTFE	INSULATOR	4
1	NICKEL 100u"/COPPER	BRASS	BODY	3
1	GOLD 50u"/NICKEL/COPPER	PHOSPHOR BRONZE	CONTACT PIN	2
1	NICKEL 100u"/COPPER	BRASS	BODY WITH HOUSING	1
2466243-1	PLATING	MATERIAL	DESCRIPTION	ITEM

THIS DRAWING IS A CONTROLLED DOCUMENT.

DWN	ED	03JUL2023	
CHK	ED	03JUL2023	
APVD	WH	03JUL2023	
DIMENSIONS: mm 			NAME
TOLERANCES UNLESS OTHERWISE SPECIFIED: 0 PLC ± 0.3 1 PLC ± 0.2 2 PLC ± 0.1 3 PLC ± - 4 PLC ± - ANGLES ± 5'			BNC RIGHT ANGLE PLUG,CRIMP, MATCH WITH RG58,RG141 CABLE,4GHZ
MATERIAL SEE TABLE			SIZE A2 CAGE CODE 00779 DRAWING NO C=2466243 RESTRICTED TO - WEIGHT - CUSTOMER DRAWING SCALE 8:1 SHEET 1 OF 1 REV A