

Dupline® Car Park System Type GP6289 000x-US Passive LED Indicator for Sensor

CARLO GAVAZZI



- Low current consumption
- Passive indicator for sensor
- No programming. Just hardware connected
- GP6289 0001-US is passive red/green LED indicator
- GP6289 0002-US is passive red/blue LED indicator
- GP6289 0002-US is specially designed for reservation purpose
- cULus approved

Product Description

The passive LED indicator for sensor is part of the car park system which contains other variants of sensors, passive displays and monitor modules. The GP6289 000x-US is a passive LED indicator made as indicator for sensor GP6240 2224 724-US.

The passive sensor is normally mounted outside the parking bay so that a passing vehicle can easily identify the status of the parking bay. The GP6289 0002-US LED indicator is particularly designed for reservation of parking bays.

Ordering key

GP 6289 000x-US

Type: Dupline® _____
 Housing _____
 Input type _____
 Channels _____
 Inputs _____

Input/Output Specifications

RJ12 connector	Not in use
2x3-pin connector	Not in use
1x2-pin connector	Connector must be connected correctly from dot to dot etc. If the wire connection is reversed the LED will show the opposite. E.g. occupied bay will show green (blue) and free bay will show red. See drawing "Example of connection".

Environment

- Protection: IP 34
- Operating temperature: -40°C to 70°C (-40°F to 158°F)
- Storage temperature: -40°C to 85°C (-40°F to 185°F)
- Pollution Degree: 3 (IEC 60664)
- Dimensions: Ø118 x 76 mm
- Material: The case is made of polypropylene. The sensor lid is made of clear Polycarbonate.

Supply Specifications

Power supply:	Powered from sensor module GP6240 2224 724-US
Max. supply current	5 mA
Power consumption:	< 0.7 Watt

Type Selection

- GP6289 0001-US Passive red/green LED indicator
- GP6289 0002 US Passive red/blue LED indicator

General Specifications

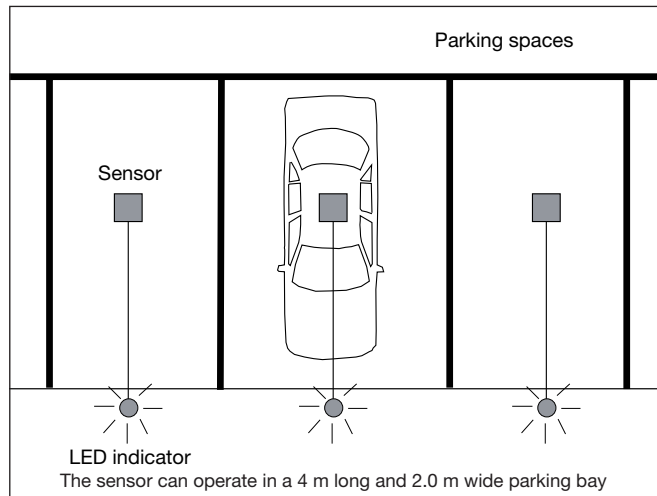
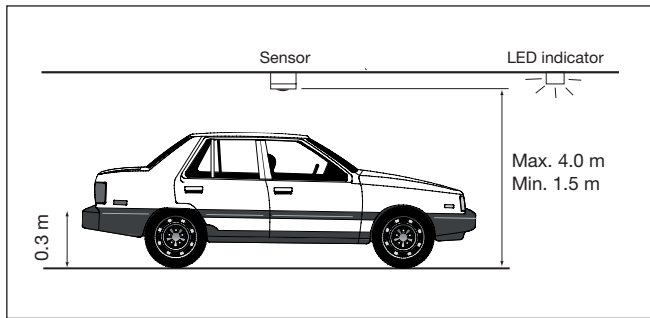
Water and condensation-resistant	The bottom part plus LED indicator has been designed in a such a way that water entering from the ceiling flows right through the LED indicator and out of small holes in the transparent part of the LED indicator without getting in contact with the electronic board and without doing any damage.
LED indication:	
Occupied:	Red LED continuously lit
Space available: GP6289 0001-US	Green LED continuously lit
Reserved: GP6289 0002-US	Blue LED continuously lit
Approval	cULus (UL60950)
MTBF	> 400,000 hours



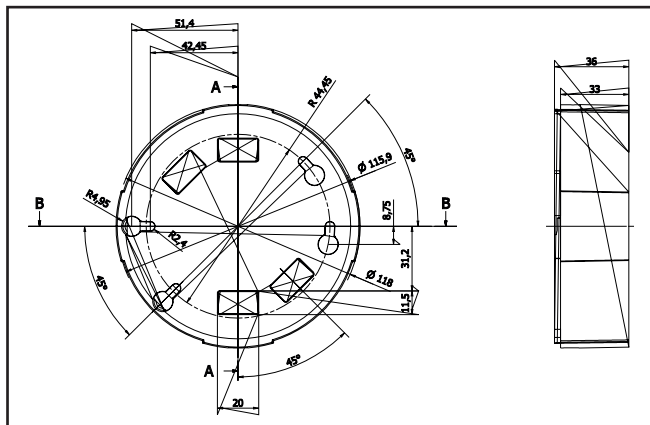
Mode of Operation

GP6289 000x-US is a passive LED indicator used for status indication of a parking bay and is located outside the space. The indicator is connected to the appropriate sensor by means of a 2-wire cable.

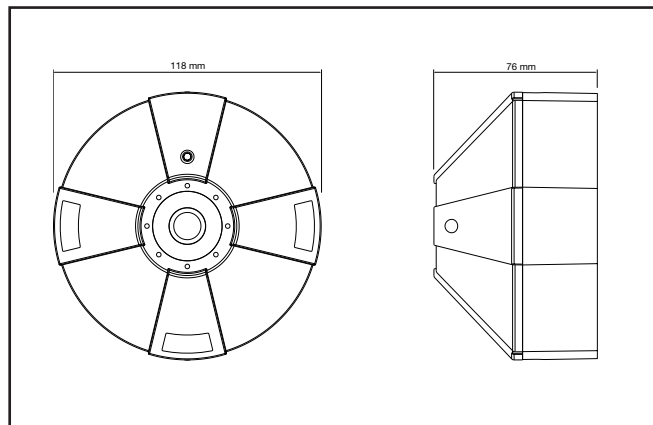
The indicator is a passive unit, with no possibilities of adjustment or interface.



Bottom part: mounted in ceiling



Dimensions



Example of connection

