



Connectors > Lighting Connectors > Street Lighting Controls > Street Lighting Receptacles



Lighting Product Type: **Accessory**

Operating Temperature Range: -40 – 85 °C [-40 – 185 °F]

Features

Product Type Features

Lighting Product Type	Accessory
-----------------------	-----------

Usage Conditions

Operating Temperature Range	-40 – 85 °C [-40 – 185 °F]
-----------------------------	----------------------------

Industry Standards

Compatible With Agency/Standards Products	ANSI
---	------

Product Compliance

[For compliance documentation, visit the product page on TE.com>](#)

EU RoHS Directive 2011/65/EU	Compliant
EU ELV Directive 2000/53/EC	Compliant
China RoHS 2 Directive MIIT Order No 32, 2016	No Restricted Materials Above Threshold
EU REACH Regulation (EC) No. 1907/2006	Current ECHA Candidate List: JUNE 2024 (241) Candidate List Declared Against: JUNE 2024 (241) SVHC > Threshold: UV-329 (1% in Component Part)
Halogen Content	Low Bromine/Chlorine - Br and Cl < 900

Article Safe Usage Statements:

Wash thoroughly after handling. Do not handle until all safety precautions have been read and understood. Recycle if possible and dispose of the article by following all applicable governmental regulations relevant to your geographic location.

ppm per homogenous material. Also BFR /CFR/PVC Free

Solder Process Capability

Not reviewed for solder process capability

Product Compliance Disclaimer

This information is provided based on reasonable inquiry of our suppliers and represents our current actual knowledge based on the information they provided. This information is subject to change. The part numbers that TE has identified as EU RoHS compliant have a maximum concentration of 0.1% by weight in homogenous materials for lead, hexavalent chromium, mercury, PBB, PBDE, DBP, BBP, DEHP, DIBP, and 0.01% for cadmium, or qualify for an exemption to these limits as defined in the Annexes of Directive 2011/65/EU (RoHS2). Finished electrical and electronic equipment products will be CE marked as required by Directive 2011/65/EU. Components may not be CE marked. Additionally, the part numbers that TE has identified as EU ELV compliant have a maximum concentration of 0.1% by weight in homogenous materials for lead, hexavalent chromium, and mercury, and 0.01% for cadmium, or qualify for an exemption to these limits as defined in the Annexes of Directive 2000/53/EC (ELV). Regarding the REACH Regulation, the information TE provides on SVHC in articles for this part number is based on the latest European Chemicals Agency (ECHA) 'Guidance on requirements for substances in articles' posted at this URL: <https://echa.europa.eu/guidance-documents/guidance-on-reach>

Compatible Parts



TE Part # 2359482-1
LUMAWISE ENDURANCE N+ 7P Base
With Vent



TE Part # 2359482-2
LUMAWISE ENDURANCE N+ 7P Base
With Vent



TE Part # 2359482-3
LUMAWISE ENDURANCE N+ 5P Base
With Vent



TE Part # 2359482-4
LUMAWISE ENDURANCE N+ 5P Base
With Vent



TE Part # 2359482-5
LUMAWISE ENDURANCE N+ 3P Base
With Vent



TE Part # 2359482-6
LUMAWISE ENDURANCE N+ 3P Base
With Vent

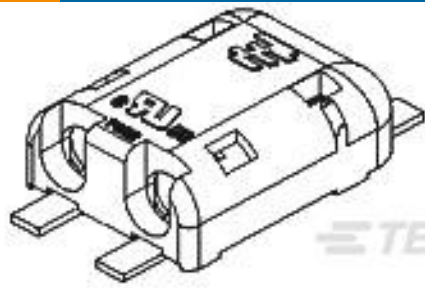
Customers Also Bought



TE Part #5499374-9
A/L UNIV HDR 40P VERT SHT LAT



TE Part #640387-3
03P MTA156 HDR ASSY SQ R/A



TE Part #1954097-1
Poke In SMT,2 Position Connect



TE Part #3-1623773-2
C10 6R8 5% (LOOSE)



Documents

Product Drawings

LUMAWISE ENDURANCE N+ Gray Tall Dome

English

CAD Files

Customer View Model

[ENG_CVM_CVM_2359615-3_A1.3d_igs.zip](#)

English

Customer View Model

[ENG_CVM_CVM_2359615-3_A1.3d_stp.zip](#)

English

Customer View Model

[ENG_CVM_CVM_2359615-3_A1.2d_dxf.zip](#)

English

3D PDF

3D

By downloading the CAD file I accept and agree to the [Terms and Conditions](#) of use.

Datasheets & Catalog Pages

LUMAWISE ENDURANCE N+ Network Lighting Controls

English

Product Specifications

Application Specification

English

Agency Approvals

[UL_CERT_CB_4789600659_TR_C1](#)



English

[UL_CERT_CB_US_37285_C1](#)

English