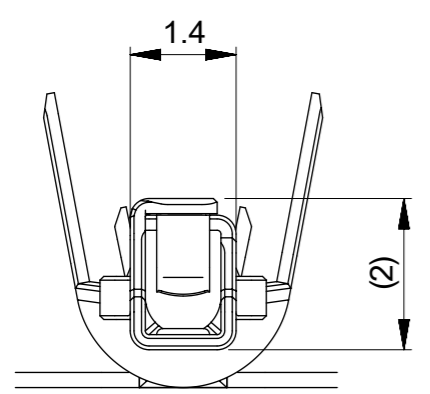
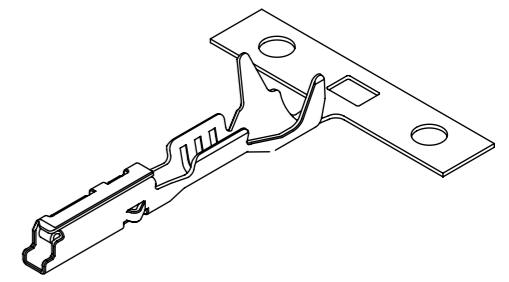
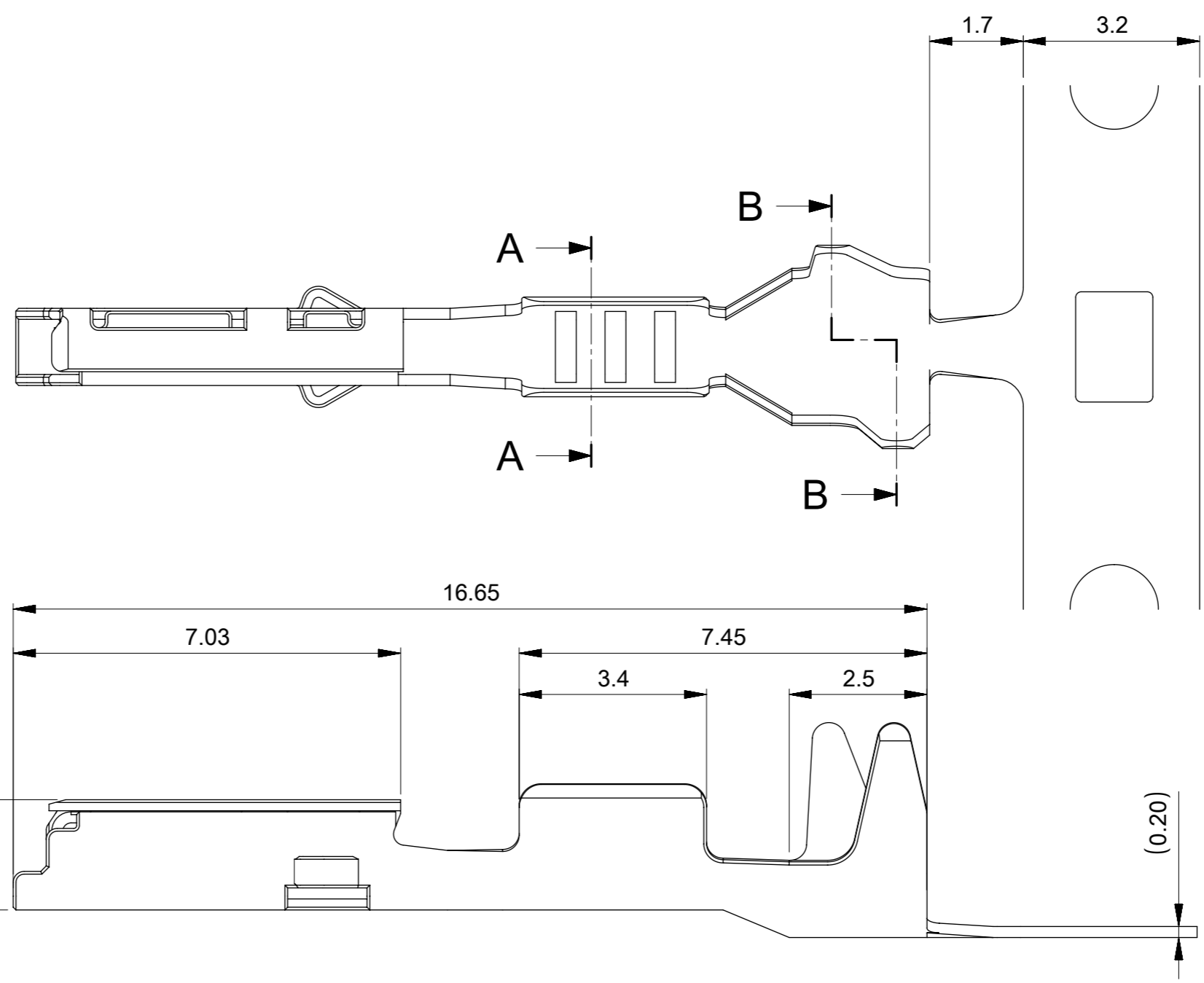


SECTION A-A SECTION B-B



NOTES

- 1. 適合ハウジング : 2018610\*\*\*
- 2. 材料 : 銅合金
- 3. めっき仕様 : 錫めっき

- 1. APPLICABLE HOUSING : 2018610\*\*\*
- 2. MATERIAL : COPPER ALLOY
- 3. PLATING SPECIFICATION : Tin PLATING

M	0.35-0.5mm <sup>2</sup>	Ø1.4-1.8mm	2018615000	CHAIN
GRIP CODE	WIRE SIZE	INSULATION O.D.	ORDER NO.	FORM

THIS DRAWING CONTAINS INFORMATION THAT IS PROPRIETARY TO MOLEX ELECTRONIC TECHNOLOGIES, LLC AND SHOULD NOT BE USED WITHOUT WRITTEN PERMISSION		CURRENT REV DESC:		<b>molex</b>		
DIMENSION UNITS	SCALE	EC NO: 609480				
mm	10:1	DRWN: HYONEYAMA 2018/12/21		PRODUCT CUSTOMER DRAWING		
GENERAL TOLERANCES (UNLESS SPECIFIED)		CHK'D: HIJIMA 2019/01/09		DOCUMENT NUMBER		
ANGULAR TOL	± 3.0°	APPR: TOSADA 2019/01/16		2018615000-SD		
4 PLACES	± 0.3	INITIAL REVISION:		DOC TYPE	DOC PART	REVISION
3 PLACES	± 0.3	DRWN: HYONEYAMA 2018/08/28		PSD	000	A
2 PLACES	± 0.3	APPR: TOSADA 2019/01/16		SHEET NUMBER		
1 PLACE	± 0.3	DRAFT WHERE APPLICABLE MUST REMAIN WITHIN DIMENSIONS		1 OF 1		
0 PLACES	± 0.3	THIRD ANGLE PROJECTION	DRAWING	SERIES	MATERIAL NUMBER	CUSTOMER
			A3-SIZE	201861	SEE CHART	GENERAL