

480115-3 ✓ ACTIVE

FASTIN-FASTON | FASTIN-FASTON 250

TE Internal #: 480115-3

Receptacle, Receptacle, 2 Position, Straight, UL 94V-2, Black, Nylon,  
Mating Alignment, FASTIN-FASTON 250, Crimp Terminal Housings

[View on TE.com >](#)



Terminals & Splices > Terminal Housings, Insulation Sleeves & Blocks > Crimp Terminal Housings



Terminal Type: **Receptacle**

Connector & Housing Type: **Receptacle**

Number of Positions: **2**

Terminal Orientation: **Straight**

UL Flammability Rating: **UL 94V-2**

## Features

### Product Type Features

Sealable	No
Connector & Housing Type	Receptacle

### Configuration Features

Number of Positions	2
---------------------	---

### Body Features

Primary Product Color	Black
-----------------------	-------

### Contact Features

Terminal Type	Receptacle
Terminal Orientation	Straight
Contact Mating Retention	Without

### Mechanical Attachment

Mating Alignment	With
Connector Mounting Type	Cable Mount (Free-Hanging)

### Housing Features



Housing Material	Nylon
Centerline (Pitch)	7.7 mm[.303 in]

### Dimensions

Product Length	23.1 mm[.91 in]
----------------	-----------------

### Usage Conditions

Operating Temperature Range	-40 – 105 °C[-40 – 221 °F]
-----------------------------	----------------------------

### Industry Standards

UL Flammability Rating	UL 94V-2
------------------------	----------

### Packaging Features

Packaging Quantity	1
Packaging Method	Carton

## Product Compliance

[For compliance documentation, visit the product page on TE.com>](#)

EU RoHS Directive 2011/65/EU	Compliant
EU ELV Directive 2000/53/EC	Compliant
China RoHS 2 Directive MIIT Order No 32, 2016	No Restricted Materials Above Threshold
EU REACH Regulation (EC) No. 1907/2006	Current ECHA Candidate List: JUNE 2024 (241) Candidate List Declared Against: JUNE 2024 (241) Does not contain REACH SVHC
Halogen Content	Low Halogen - Br, Cl, F, I < 900 ppm per homogenous material. Also BFR/CFR/PVC Free
Solder Process Capability	Not applicable for solder process capability

#### Product Compliance Disclaimer

This information is provided based on reasonable inquiry of our suppliers and represents our current actual knowledge based on the information they provided. This information is subject to change. The part numbers that TE has identified as EU RoHS compliant have a maximum concentration of 0.1% by weight in homogenous materials for lead, hexavalent chromium, mercury, PBB, PBDE, DBP, BBP, DEHP, DIBP, and 0.01% for cadmium, or qualify for an exemption to these limits as defined in the Annexes of Directive 2011/65/EU (RoHS2). Finished electrical and electronic equipment products will be CE marked as required by Directive 2011/65/EU. Components may not be CE marked. Additionally, the part numbers that TE has identified as EU ELV compliant have a maximum concentration of 0.1% by weight in homogenous materials for lead, hexavalent chromium, and mercury, and 0.01% for cadmium, or qualify for an exemption to these limits as defined in the Annexes of Directive 2000/53/EC (ELV). Regarding the REACH Regulation, the information TE provides on SVHC in articles for this part number is based on the latest European Chemicals Agency (ECHA) 'Guidance on requirements for substances in articles' posted at this URL: <https://echa.europa.eu/guidance-documents/guidance-on-reach>

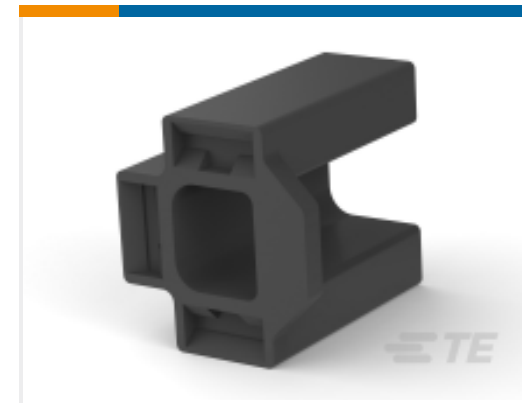
## Compatible Parts



TE Part # 170258-2  
FF 250 REC 14-12AWG TPBR REREELING



TE Part # 170258-1  
FF 250 REC 14-12AWG BR REREELING



TE Part # 480100-1  
FF 312 REC HSG 3P NYLON BLACK



TE Part # 626213-2  
3 CIR FASTIN-ON RECP HSG PRETO



TE Part # 1534690-1  
FASTIN FASTON HOUSING 4POS 2,8 MM



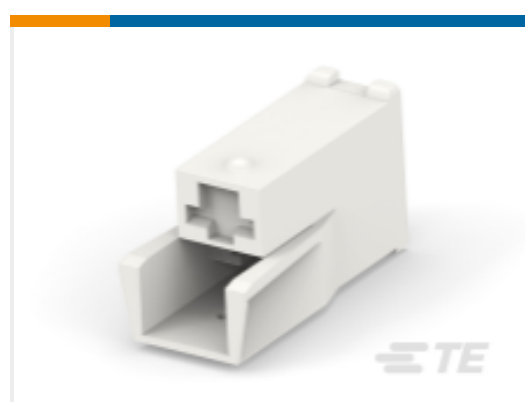
TE Part # 280543-5  
FF 250 REC HSG 2P NYLON BLACK



TE Part # 281993-3  
FF 250 & 375 REC HSG 2P NYLON BLACK



TE Part # 521381-1  
FF 187 REC HSG 6P NYLON BLACK



TE Part # 880097-1  
2 WAY FASTIN ON HSG



TE Part # 880107-2  
HOUSING 8P .110 FASTON



TE Part # 880137-2  
3W FASTIN-ON REC. HSG

## Also in the Series | FASTIN-FASTON 250



Crimp Terminal Housings(210)



Insertion & Extraction Tools(2)



PCB Terminals(2)



Quick Disconnects(251)

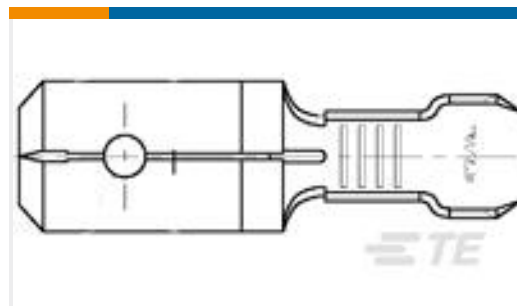
## Customers Also Bought



TE Part #32060  
TERMINAL,PIDG SPD 16-14 10



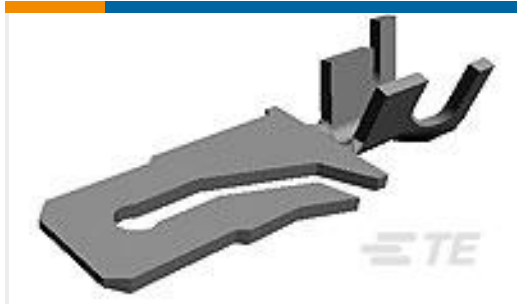
TE Part #DT04-12PA-BE04  
REC, 12P, BLK, E, ENH KEY, CAP, A



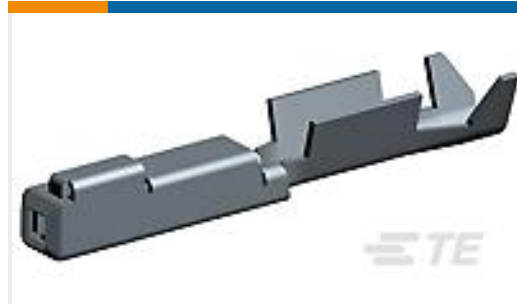
TE Part #42474-2  
250 FASTON TAB 18-14 AWG TPBR



TE Part #9-1452380-9  
96 POS. CONNECTOR ASSY



TE Part #640416-2  
BLADE TAB 250 18-14AWG TPBR



TE Part #2040168-1  
0.64 RCPT SEALED TIN STRIP(L SIZE)



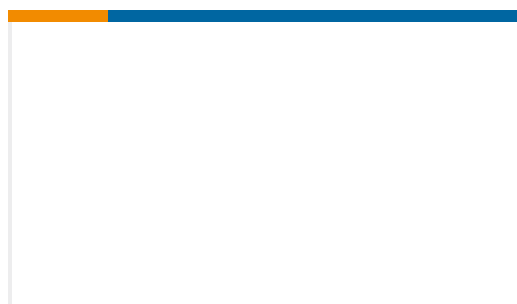
TE Part #W6P-P004  
WEDGE LOCK



TE Part #9-1563173-9  
96POS,MCON-1.2 CB,REC HSG,ASSY



TE Part #350639-1  
MNL PIN PTPBR



TE Part #1-2289748-9  
58POS, MIXED,REC HSG,ASSY

## Documents

### Product Drawings

[FF 250 REC HSG 2P NYLON BLACK](#)

English

### CAD Files

[3D PDF](#)

3D

Customer View Model

[ENG\\_CVM\\_CVM\\_480115-3\\_AR.2d\\_dxf.zip](#)

English

Customer View Model

[ENG\\_CVM\\_CVM\\_480115-3\\_AR.3d\\_igs.zip](#)

English

Customer View Model

[ENG\\_CVM\\_CVM\\_480115-3\\_AR.3d\\_stp.zip](#)

English

By downloading the CAD file I accept and agree to the [Terms and Conditions](#) of use.

### Datasheets & Catalog Pages



[FASTIN\\_FASTON\\_Product\\_Line](#)

English

[White Paper: Nylon Discoloration](#)

English

---

[Product Specifications](#)

[Application Specification](#)

English