

SL-5ES1N8A8002 - Cable connector



1607503

<https://www.phoenixcontact.com/us/products/1607503>

Please be informed that the data shown in this PDF document is generated from our online catalog. Please find the complete data in the user documentation. Our general terms of use for downloads are valid.



Cable connector, straight, Screw locking mechanism, M58, number of positions: 2+3+PE, contact connection type: Socket, shielded: yes, degree of protection: IP67, cable diameter range: 17 mm ... 25 mm, number of positions: 6, connection method: Crimp connection, series: SL

Your advantages

- Consistent EMC protection for reliable connection solutions in the industrial environment
- Crimping connection: vibration- and temperature-resistant assembly
- Reliable transmission of high electrical power

Commercial data

Item number	1607503
Packing unit	1 pc
Minimum order quantity	1 pc
Note	Made to order (non-returnable)
Sales key	AB32
Product key	ABRBHA
Catalog page	Page 174 (C-2-2019)
GTIN	4046356271677
Weight per piece (including packing)	850.5 g
Weight per piece (excluding packing)	850 g
Customs tariff number	85366990
Country of origin	DE

Technical data

Notes

Order information:	Order crimp contacts 2 x Ø 1.6 mm, 4 x Ø 10 mm separately
--------------------	---

Safety note

Safety note	<p>WARNING: The connectors may not be plugged in or disconnected under load. Ignoring the warning or improper use may damage persons and/or property.</p>
	<ul style="list-style-type: none"> • WARNING: Commission properly functioning products only. The products must be regularly inspected for damage. Decommission defective products immediately. Replace damaged products. Repairs are not possible.
	<ul style="list-style-type: none"> • WARNING: Only electrically qualified personnel may install and operate the product. They must observe the following safety notes. The qualified personnel must be familiar with the basics of electrical engineering. They must be able to recognize and prevent danger. The relevant symbol on the packaging indicates that only personnel familiar with electrical engineering are allowed to install and operate the product.
	<ul style="list-style-type: none"> • The products are suitable for applications in plant, controller, and electrical device engineering.
	<ul style="list-style-type: none"> • When operating the connectors in outdoor applications, they must be separately protected against environmental influences.
	<ul style="list-style-type: none"> • Assembled products may not be manipulated or improperly opened.
	<ul style="list-style-type: none"> • Only use mating connectors that are specified in the technical data of the standards listed (e.g. the ones listed in the product accessories online at phoenixcontact.com/products).
	<ul style="list-style-type: none"> • When using the product in direct connection with third-party manufacturers, the user is responsible.
	<ul style="list-style-type: none"> • For operating voltages > 50 V AC, conductive connector housings must be grounded
	<ul style="list-style-type: none"> • Ensure that the protective or functional ground has been properly connected.
	<ul style="list-style-type: none"> • VDE 0100/1.97 § 411.1.3.2 and DIN EN 60 204/11.98 § 14.1.3 are applicable when combining several circuits in a cable and/or connector
	<ul style="list-style-type: none"> • Only use tools recommended by Phoenix Contact
	<ul style="list-style-type: none"> • The installation notes/Design In documents online on the download page at phoenixcontact.com/products must be observed for this product.
	<ul style="list-style-type: none"> • Operate the connector only when it is fully plugged in and interlocked.
<ul style="list-style-type: none"> • Ensure that when laying the cable, the tensile load on the connectors does not exceed the upper limit specified in the standards. 	
<ul style="list-style-type: none"> • Observe the minimum bending radius of the cable. Lay the cable without twisting it. 	
<ul style="list-style-type: none"> • The connector warms up in normal operation. Depending on the ambient conditions, the surface of the connector can continue to warm up. In this case, the user is responsible for posting 	

SL-5ES1N8A8002 - Cable connector



1607503

<https://www.phoenixcontact.com/us/products/1607503>

warnings (e.g. DIN EN ISO 13732-1:2008-12).

Product properties

Product type	Circular connector (cable-side)
Series	SL
Application	Power
Number of positions	6
Connection profile	2+3+PE
Shielded	yes
Coding	N
Thread type	M58

Material specifications

Seal material	FPM
Housing material	Metal
Housing material	Aluminum
Insulator material	PA 6.6
Gasket and O-ring material	FPM

Connection data

Conductor connection

Connection method	Crimp connection
-------------------	------------------

Electrical properties

Contact

Contact diameter	10 mm
Max. current	150 A
Nominal voltage U_N	630 V
Overvoltage category	III
Degree of pollution	3
Rated surge voltage	6 kV

Contact

Contact diameter	1.6 mm
Max. current	12 A
Nominal voltage U_N	250 V
Overvoltage category	III
Degree of pollution	3
Rated surge voltage	4 kV

Connector

Type	straight
------	----------

Connection 1

Head design	Socket
-------------	--------

SL-5ES1N8A8002 - Cable connector



1607503

<https://www.phoenixcontact.com/us/products/1607503>

Cable/line

External cable diameter	17 mm ... 25 mm
-------------------------	-----------------

Environmental and real-life conditions

Ambient conditions

Degree of protection	IP67
Ambient temperature (operation)	-40 °C ... 120 °C
Altitude	2000 m

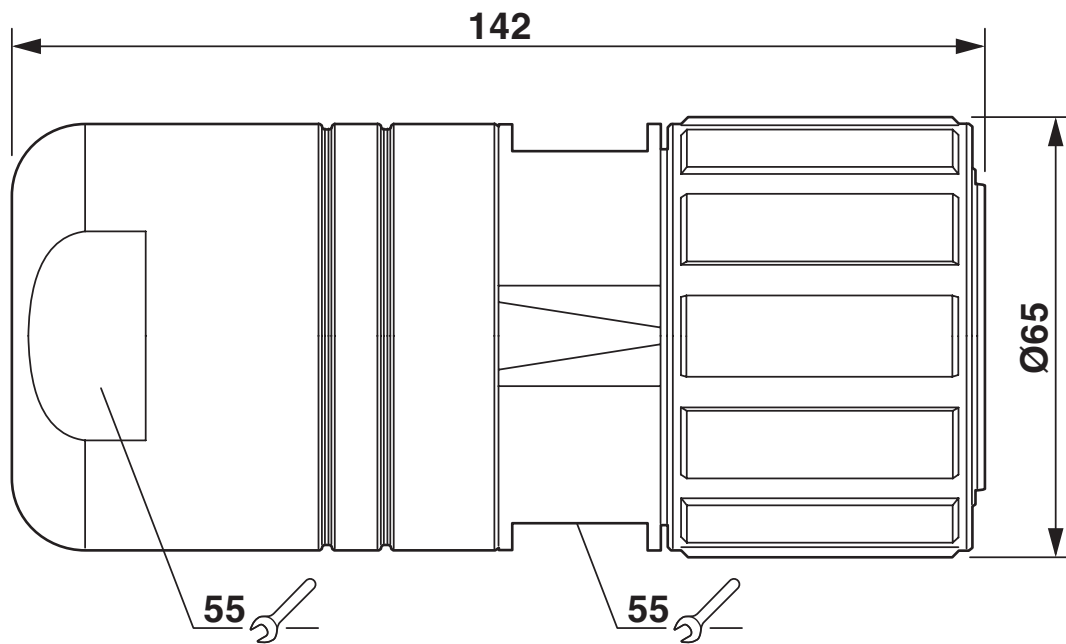
SL-5ES1N8A8002 - Cable connector

1607503

<https://www.phoenixcontact.com/us/products/1607503>

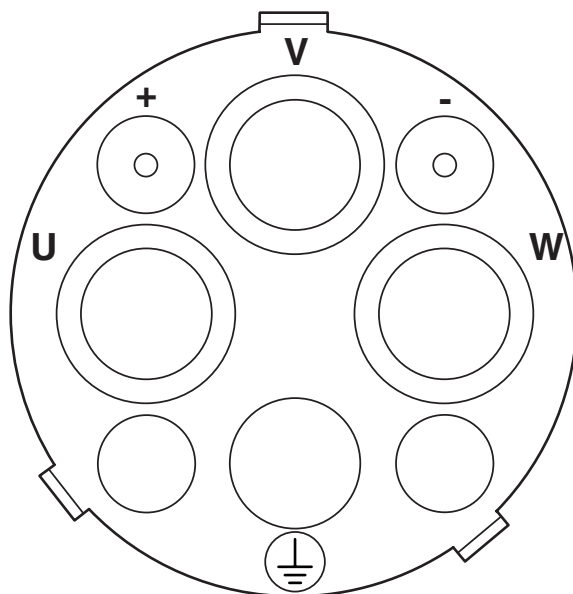
Drawings

Dimensional drawing



Dimensional drawing

Schematic diagram



Connector pin assignment

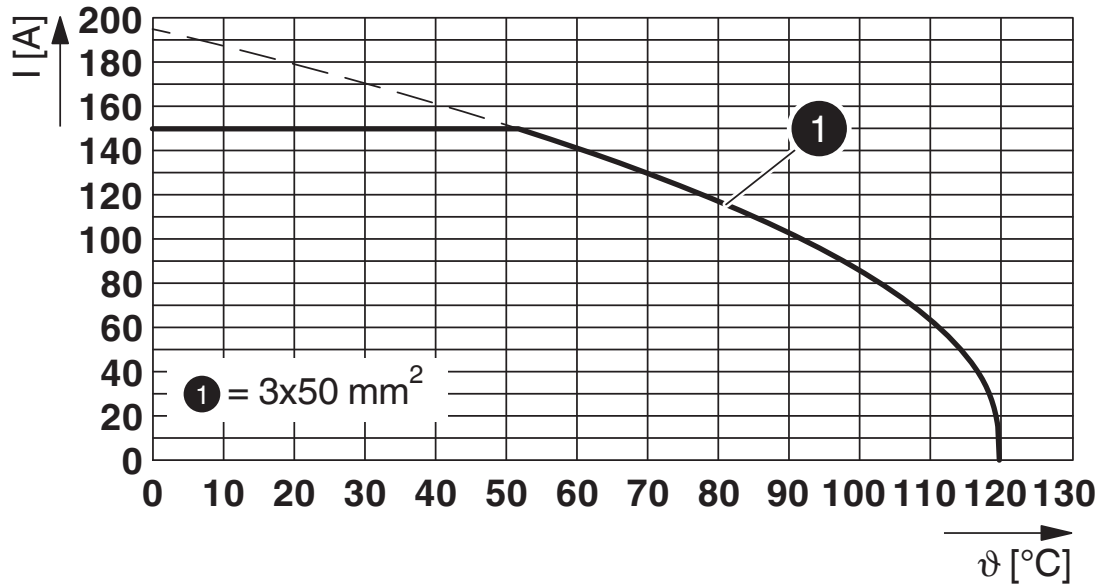
SL-5ES1N8A8002 - Cable connector



1607503

<https://www.phoenixcontact.com/us/products/1607503>

Diagram



I = current strength, T = ambient temperature

SL-5ES1N8A8002 - Cable connector



1607503

<https://www.phoenixcontact.com/us/products/1607503>

Classifications

ECLASS

ECLASS-11.0	27440102
ECLASS-12.0	27440116
ECLASS-13.0	27440116

ETIM

ETIM 9.0	EC002635
----------	----------

UNSPSC

UNSPSC 21.0	39121400
-------------	----------

SL-5ES1N8A8002 - Cable connector



1607503

<https://www.phoenixcontact.com/us/products/1607503>

Environmental product compliance

EU RoHS

Fulfills EU RoHS substance requirements	Yes
Exemption	6(b), 6(b)-II, 6(c)

China RoHS

Environment friendly use period (EFUP)	EFUP-50
	An article-related China RoHS declaration table can be found in the download area for the respective article under "Manufacturer declaration". For all articles with EFUP-E, no China RoHS declaration table issued and required.

EU REACH SVHC

REACH candidate substance (CAS No.)	Lead(CAS: 7439-92-1)
SCIP	782f39e3-3a16-4cac-a6a8-a3abec685e87

SL-5ES1N8A8002 - Cable connector

1607503

<https://www.phoenixcontact.com/us/products/1607503>



Accessories

SL-1CKS010 - Crimp contact

1607916

<https://www.phoenixcontact.com/us/products/1607916>



Crimp contact, Socket, turned, contact diameter: 10 mm, crimp range: 10 mm² ... 10 mm², Alternative product in accordance with RoHS II without Exemption 6c (Pb < 0.1 %) item no.: 1362831

SL-1CKS020 - Crimp contact

1607917

<https://www.phoenixcontact.com/us/products/1607917>



Crimp contact, Socket, turned, contact diameter: 10 mm, crimp range: 16 mm² ... 16 mm², Alternative product in accordance with RoHS II without Exemption 6c (Pb < 0.1 %) item no.: 1362832

SL-5ES1N8A8002 - Cable connector

1607503

<https://www.phoenixcontact.com/us/products/1607503>



SL-1CKS030 - Crimp contact

1607918

<https://www.phoenixcontact.com/us/products/1607918>



Crimp contact, Socket, turned, contact diameter: 10 mm, crimp range: 25 mm² ... 25 mm², Alternative product in accordance with RoHS II without Exemption 6c (Pb < 0.1 %) item no.: 1362834

SL-1CKS040 - Crimp contact

1607919

<https://www.phoenixcontact.com/us/products/1607919>



Crimp contact, Socket, turned, contact diameter: 10 mm, crimp range: 35 mm² ... 35 mm², Alternative product in accordance with RoHS II without Exemption 6c (Pb < 0.1 %) item no.: 1362835

SL-5ES1N8A8002 - Cable connector

1607503

<https://www.phoenixcontact.com/us/products/1607503>



SL-1CKS050 - Crimp contact

1607920

<https://www.phoenixcontact.com/us/products/1607920>



Crimp contact, Socket, turned, contact diameter: 10 mm, crimp range: 50 mm² ... 50 mm², Alternative product in accordance with RoHS II without Exemption 6c (Pb < 0.1 %) item no.: 1362836

SL-16KS010 - Crimp contact

1607956

<https://www.phoenixcontact.com/us/products/1607956>



Crimp contact, Socket, turned, contact diameter: 1.6 mm, crimp range: 0.75 mm² ... 1 mm², Alternative product in accordance with RoHS II without Exemption 6c (Pb < 0.1 %) item no.: 1242375

Phoenix Contact 2024 © - all rights reserved
<https://www.phoenixcontact.com>

Phoenix Contact USA
586 Fulling Mill Road
Middletown, PA 17057, United States
(+717) 944-1300
info@phoenixcon.com