

VS-V1-F-RJ45-MNNA-1-C-S-JI-S - Panel mounting frames



1419185

<https://www.phoenixcontact.com/us/products/1419185>

Please be informed that the data shown in this PDF document is generated from our online catalog. Please find the complete data in the user documentation. Our general terms of use for downloads are valid.



RJ45 mounting frame, IP67, for bayonet interlocking, metal, with contact insert for cable connection, for round mounting cutout, with seal, without mounting screws

Your advantages

- Round panel cutout

Commercial data

Item number	1419185
Packing unit	1 pc
Minimum order quantity	1 pc
Sales key	AB17
Product key	ABNMAB
Catalog page	Page 351 (C-2-2017)
GTIN	4046356540384
Weight per piece (including packing)	97.1 g
Weight per piece (excluding packing)	94.2 g
Customs tariff number	85366990
Country of origin	DE

VS-V1-F-RJ45-MNNA-1-C-S-JI-S - Panel mounting frames



1419185

<https://www.phoenixcontact.com/us/products/1419185>

Technical data

Notes

Order information:	Without mounting screws
--------------------	-------------------------

Product properties

Product type	Panel mounting frame
Application	RJ45 PCB connection
Type	Version 1
Number of positions	8
Connection profile	RJ45
Number of slots	1
Type	RJ45

Electrical properties

Rated voltage (III/3)	72 V (DC)
Transmission medium	Copper
Transmission characteristics (category)	CAT5 (IEC 11801:2002)

Connection data

Connection technology

Connection method	Coupling
-------------------	----------

Material specifications

Material	Metal
Flammability rating according to UL 94	V0
Seal material	NBR
Housing material	Metal
Housing surface material	nickel-plated

Cable/line

Wire diameter	0.4 mm ... 0.64 mm
Wire diameter including insulation	1.6 mm

Mechanical properties

Mechanical data

Insertion/withdrawal cycles	750
-----------------------------	-----

Environmental and real-life conditions

Ambient conditions

Degree of protection	IP65/IP67
Ambient temperature (operation)	-40 °C ... 70 °C

VS-V1-F-RJ45-MNNA-1-C-S-JI-S - Panel mounting frames



1419185

<https://www.phoenixcontact.com/us/products/1419185>

Mounting

Mounting type

Wall mounting

VS-V1-F-RJ45-MNNA-1-C-S-JI-S - Panel mounting frames

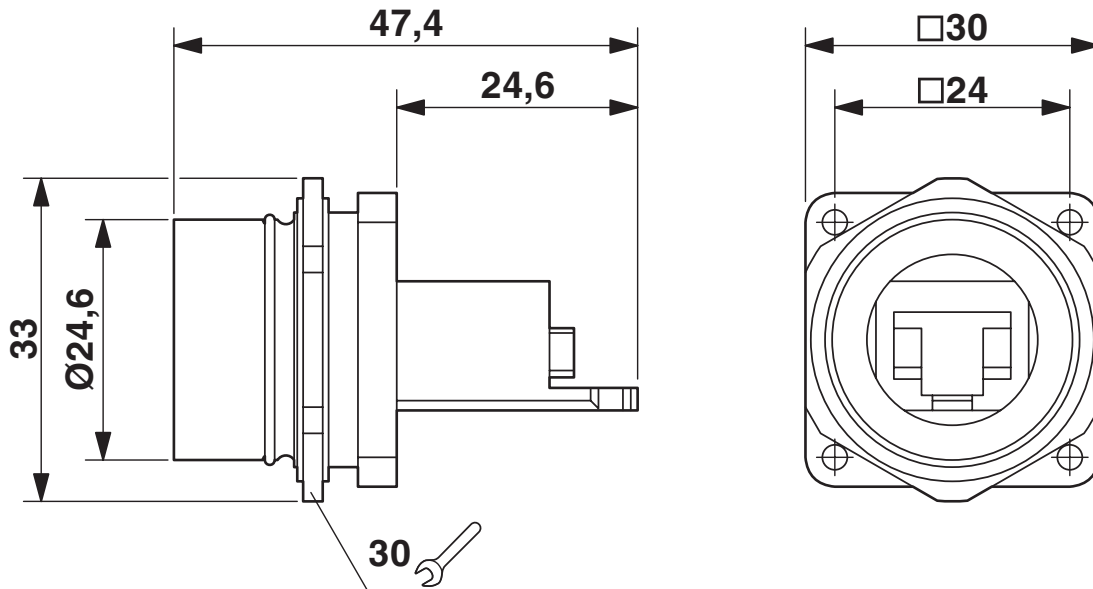


1419185

<https://www.phoenixcontact.com/us/products/1419185>

Drawings

Dimensional drawing



VS-V1-F-RJ45-MNNA-1-C-S-JI-S - Panel mounting frames



1419185

<https://www.phoenixcontact.com/us/products/1419185>

Classifications

ECLASS

ECLASS-11.0	27440210
ECLASS-12.0	27440210
ECLASS-13.0	27440109

ETIM

ETIM 9.0	EC002310
----------	----------

UNSPSC

UNSPSC 21.0	39121400
-------------	----------

VS-V1-F-RJ45-MNNA-1-C-S-JI-S - Panel mounting frames



1419185

<https://www.phoenixcontact.com/us/products/1419185>

Environmental product compliance

EU RoHS

Fulfills EU RoHS substance requirements	Yes
Exemption	6(c)

China RoHS

Environment friendly use period (EFUP)	EFUP-50
	An article-related China RoHS declaration table can be found in the download area for the respective article under "Manufacturer declaration". For all articles with EFUP-E, no China RoHS declaration table issued and required.

EU REACH SVHC

REACH candidate substance (CAS No.)	Lead(CAS: 7439-92-1)
SCIP	ae926a86-7d1a-4282-ace8-5560fb5e2d94

VS-V1-F-RJ45-MNNA-1-C-S-JI-S - Panel mounting frames



1419185

<https://www.phoenixcontact.com/us/products/1419185>

Accessories

VS-V1-C-RJ45-MNNA-PG9-8-I-5-S - RJ45 connector

1419182

<https://www.phoenixcontact.com/us/products/1419182>



RJ45 connector, design: RJ45, degree of protection: IP67, number of positions: 8, 1 Gbps, CAT5 (IEC 11801:2002), material: Metal, connection method: IDC fast connection, connection cross section: AWG 27- 24, cable outlet: straight, color: silver

VS-V1-F-PC-POBK - Protective cover

1419186

<https://www.phoenixcontact.com/us/products/1419186>



Protective cover, IP67, plastic version, to cover the contact insert in the RJ45, LC and SC-RJ panel mounting frame

Phoenix Contact 2024 © - all rights reserved

<https://www.phoenixcontact.com>

Phoenix Contact USA
586 Fulling Mill Road
Middletown, PA 17057, United States
(+717) 944-1300
info@phoenixcon.com