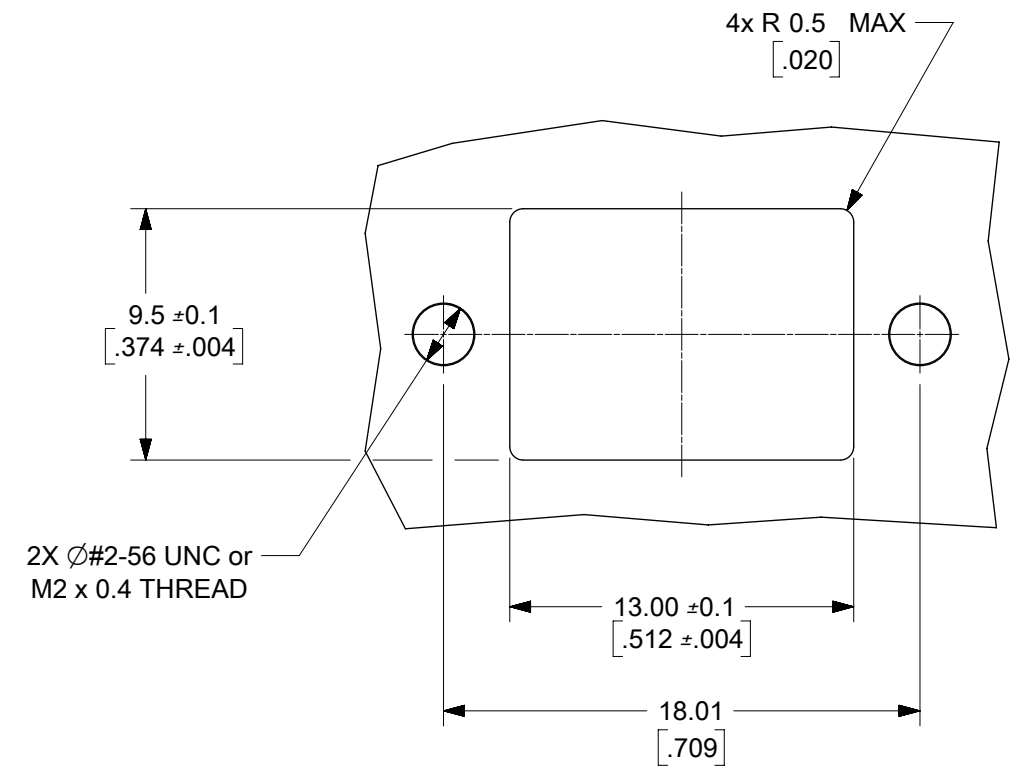
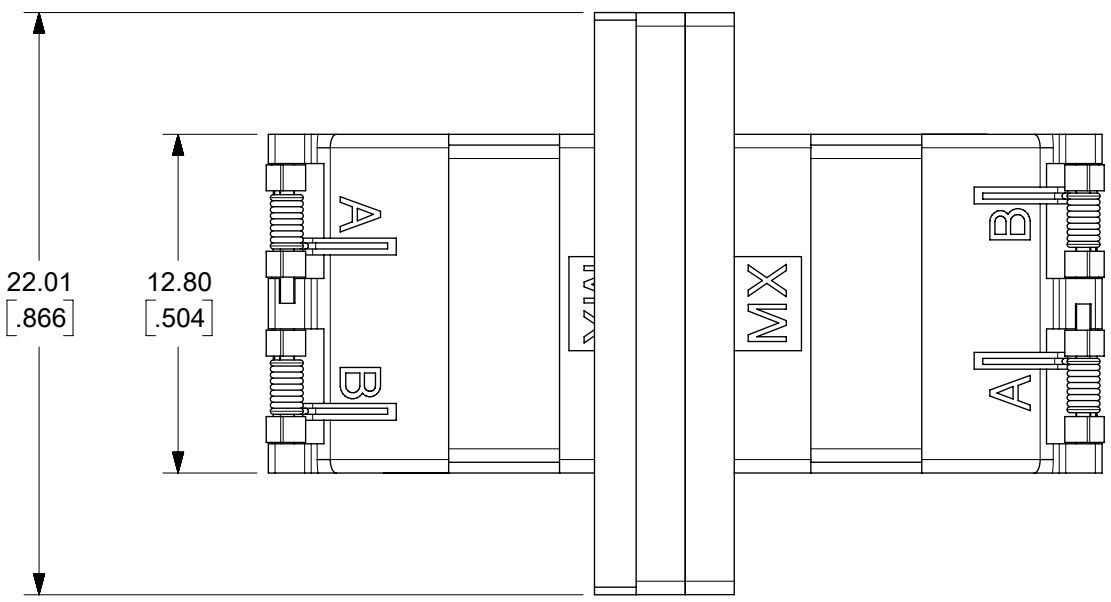
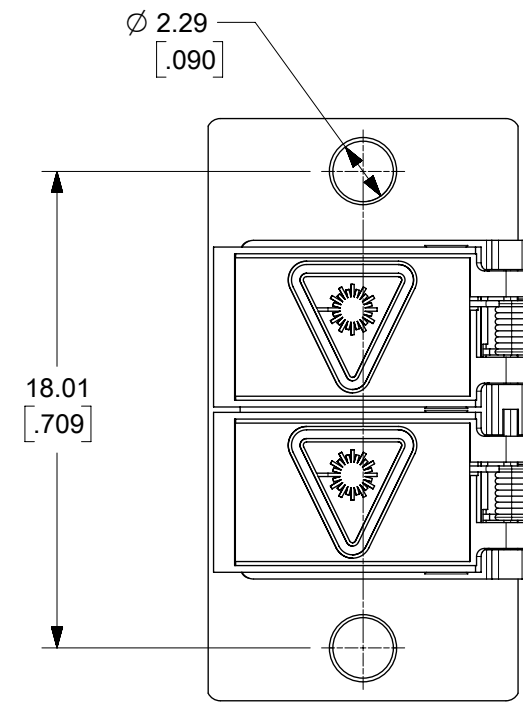
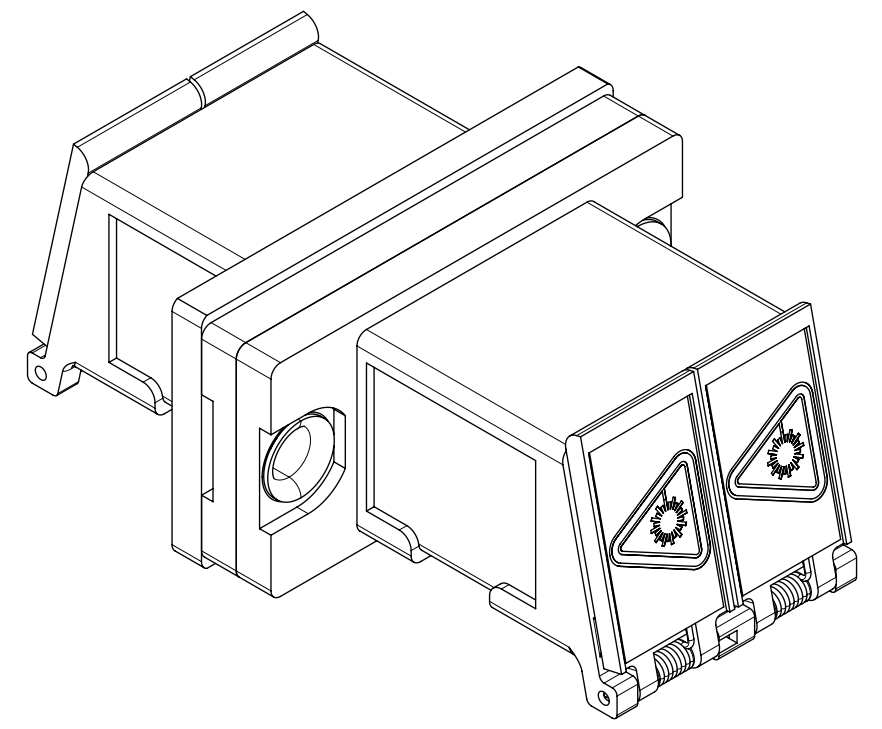
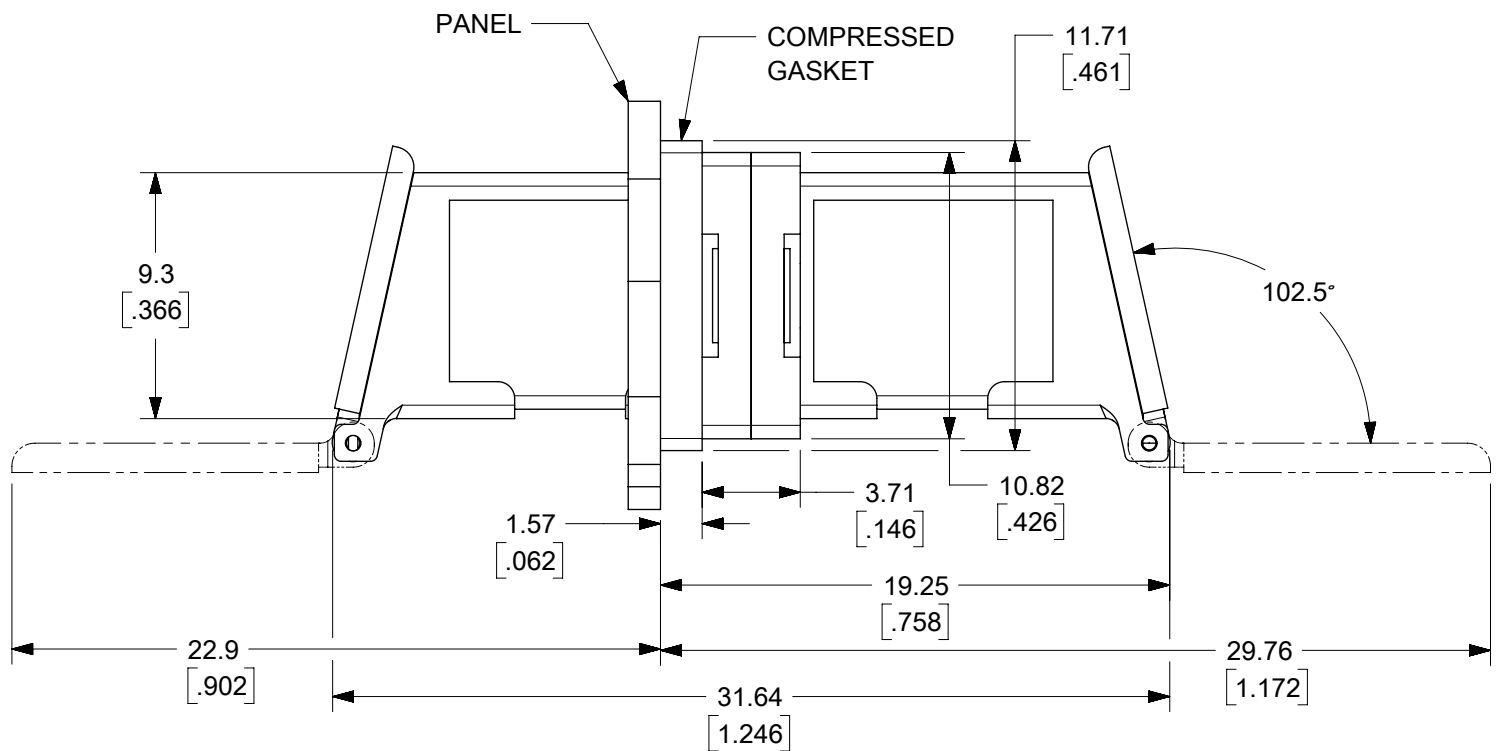


ADAPTER P/N	SPLIT SLEEVE MATERIAL
1061151120	Zr
1061151126	Ph. Bronze



RECOMMENDED MOUNTING PATTERN

- NOTES:
1. ALL DIMENSIONS ARE FOR REFERENCE ONLY.
  2. CONDUCTIVE SILICONE GASKET WITH FILLER IS SUPPLIED WITH PART.
  3. PART IS DIECAST.
  4. ADAPTERS TO BE PACKAGED IN TRAY.

THIS DRAWING CONTAINS INFORMATION THAT IS PROPRIETARY TO MOLEX ELECTRONIC TECHNOLOGIES, LLC AND SHOULD NOT BE USED WITHOUT WRITTEN PERMISSION									
DIMENSION UNITS	SCALE	CURRENT REV DESC: MIGRATED TO NX							
MM/IN	4:1								
GENERAL TOLERANCES (UNLESS SPECIFIED)									
ANGULAR TOL	± 0.5°	LC-D EMI ADAPTER SCW MT ZR METAL DOORS							
4 PLACES	±	PRODUCT CUSTOMER DRAWING							
3 PLACES	±	DOCUMENT NUMBER							
2 PLACES	±	DOC TYPE DOC PART REVISION							
1 PLACE	±	SD-106115-112X PSD 001 B							
0 PLACES	±	MATERIAL NUMBER CUSTOMER SHEET NUMBER							
DRAFT WHERE APPLICABLE MUST REMAIN WITHIN DIMENSIONS		THIRD ANGLE PROJECTION	DRAWING	SERIES	SEE TABLE			GENERAL MARKET	
			B-SIZE	106115				1 OF 1	