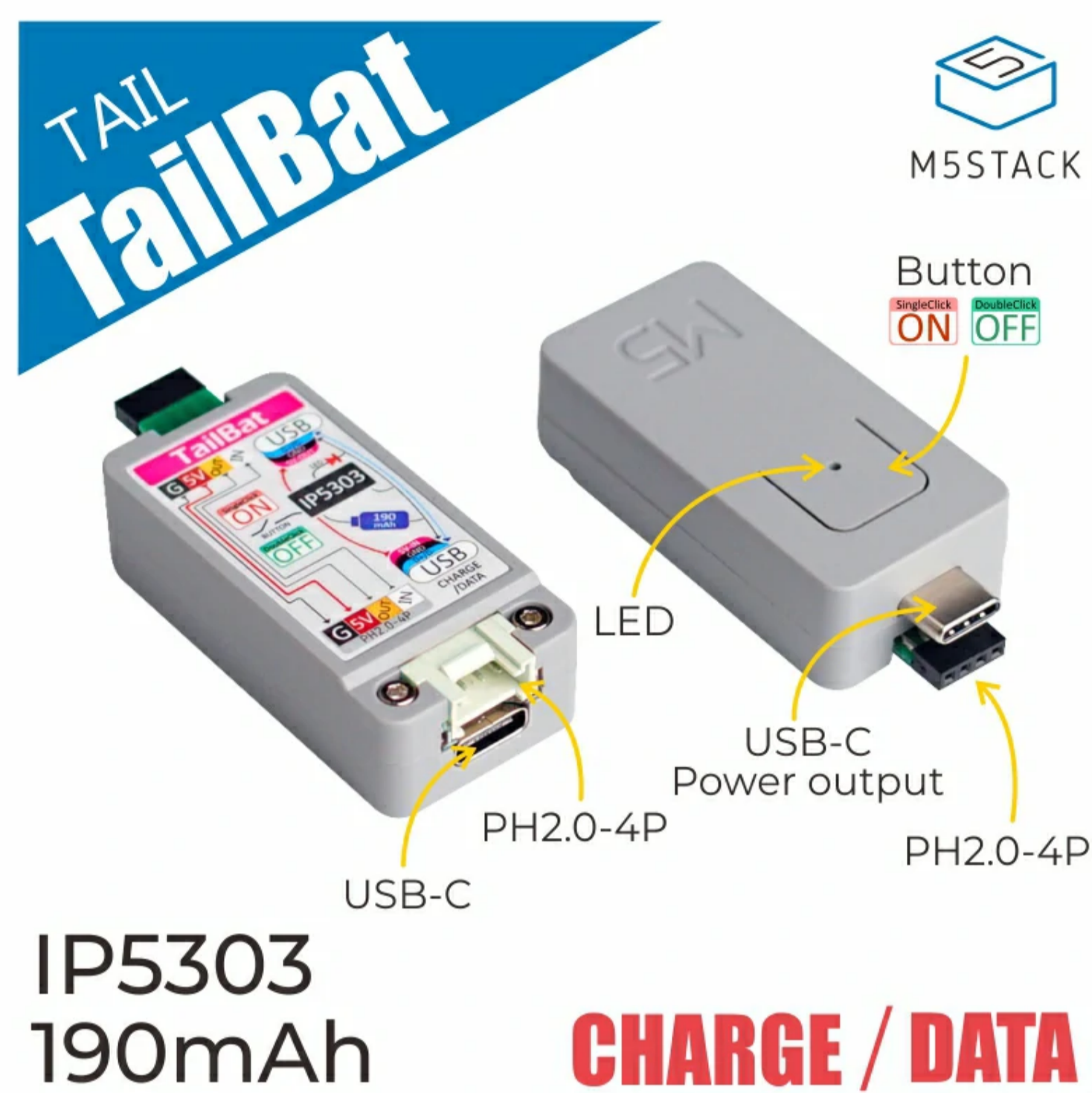


TailBat

SKU:T001



Description

TailBat is an external battery accessory designed for M5ATOM. If the TailBat module is inserted into the M5ATOM, it can directly supply power to the , enabling the M5ATOM to be used in mobile applications. The TailBat contains a 190mah battery and features a physical button. It is controlled by the power management chip IP5303. When the power is turned on, the red led will turn on, the led flashes when charging, and is always on when fully charged. The operation method is the same as that of M5Stack Core: Click to turn on the power, double-click to turn off the power. Since the TailBat has been designed simply to add battery power, it will not affect the original GROVE Connection mode and USB functionality. The built-in battery can only be charged through the USB typeC interface, not through the grove interface.

Product Features

- Adapted for ATOM Matrix/ATOM Lite form factor
- Plug and play
- Built in rechargeable lithium battery
- LED indicator
- M5Stick/M5StickC/M5StickV/M5Camera compatible

Include

- 1x TailBat

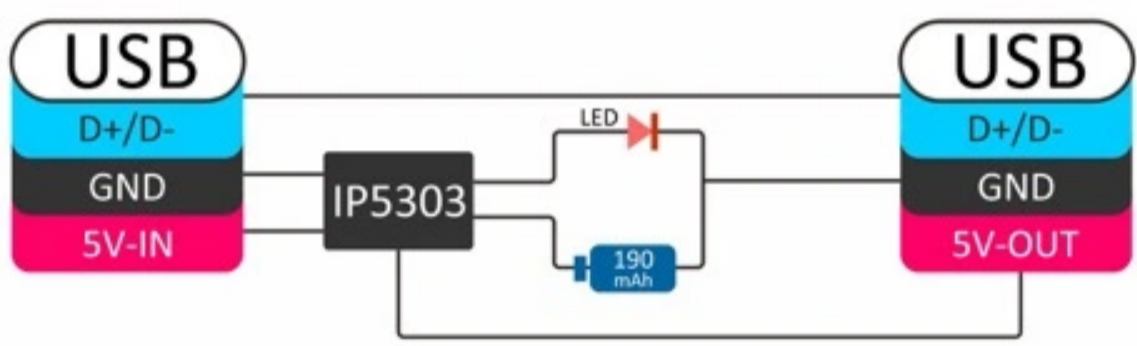
Application

- ATOM portable power

Specification

Specification	Parameter
External port	1x GROVE
LED	1x RED LED
USB port	TypeC
Battery capacity	190mAh
Net weight	10g
Gross weight	10g
Product Size	55*22*14mm
Package Size	75*22*14mm
Case material	Plastic (PC)

Schematic



Video