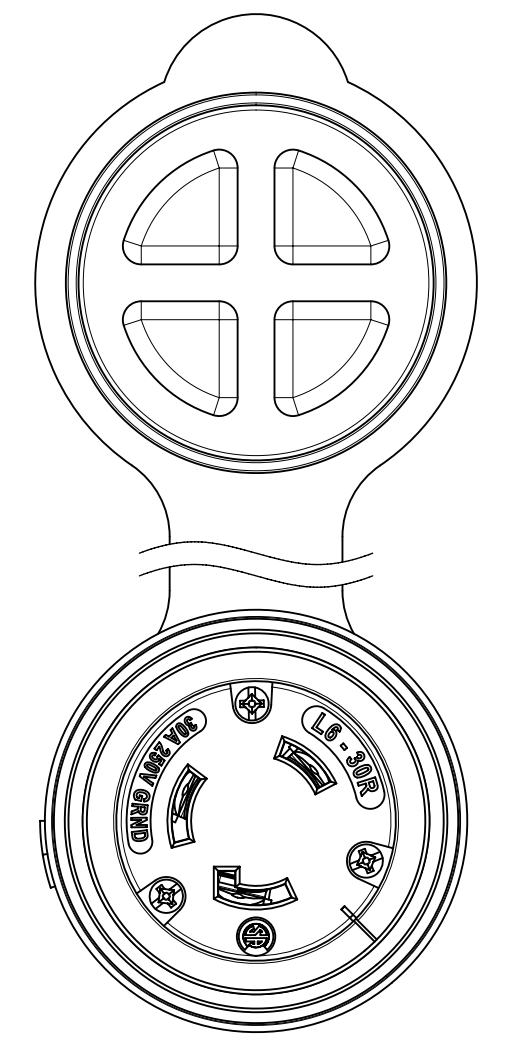
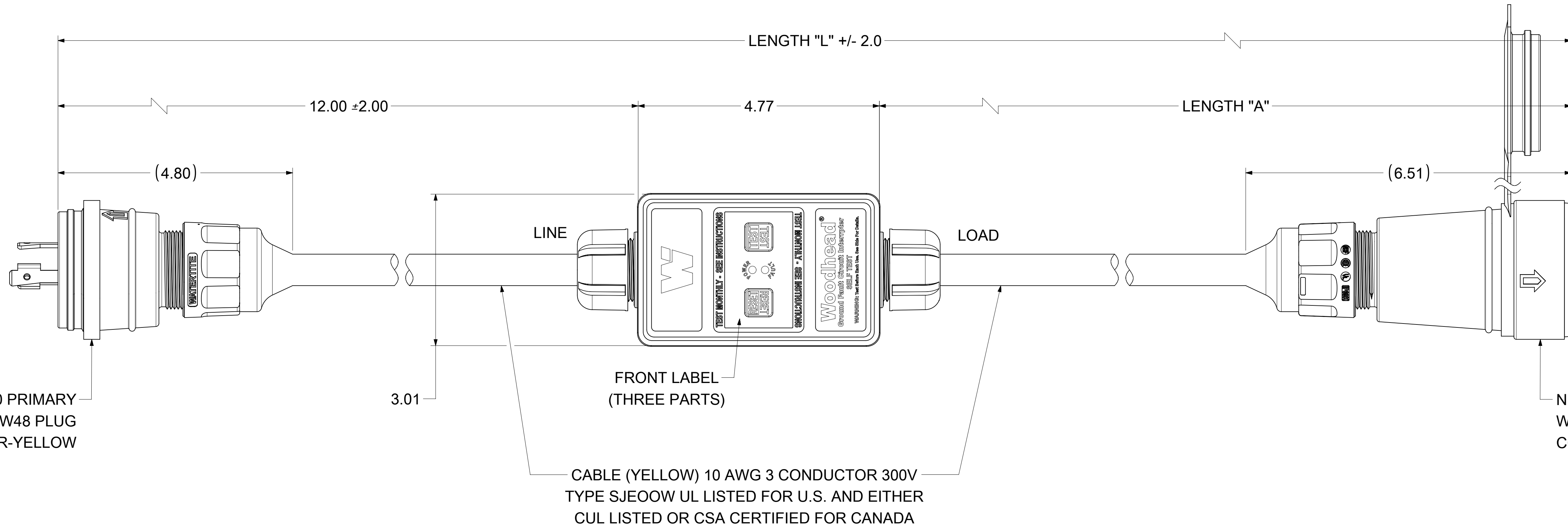
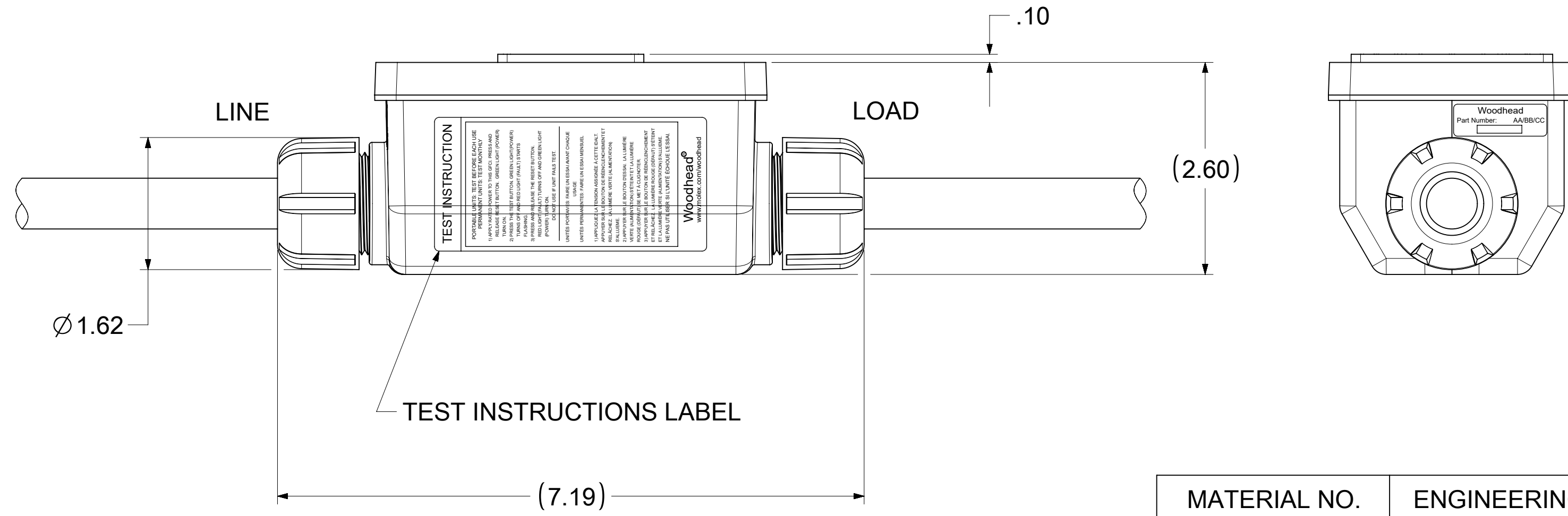
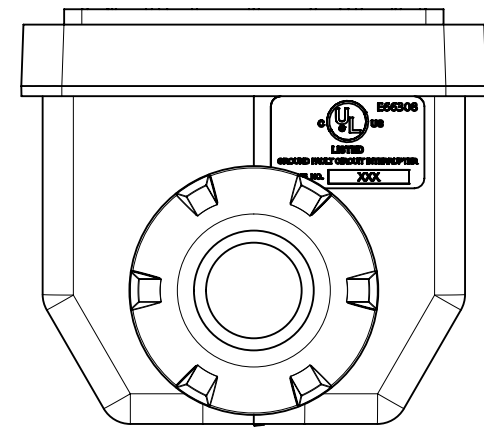


NEMA L6-30 PRIMARY  
WOODHEAD #28W48 PLUG  
COLOR-YELLOW



NEMA L6-30 SECONDARY  
WOODHEAD #29W48 CONNECTOR  
COLOR-YELLOW



**TECHNICAL**

LISTED:	cULus
RATED SUPPLY VOLTAGE:	240VAC
RATED CURRENT:	UP TO 30 AMPS
RESET TYPE:	AUTOMATIC OR MANUAL
OPERATING FREQUENCY:	60 Hz
TYPE:	CLASS A
GROUND TRIP CURRENT:	5mA +/- 1mA
PHASE:	SINGLE PHASE
OVERLOAD CURRENT:	180 AMPS, 0.45PF
INSULATION VOLTAGE:	1,500 VRMS - 1 MINUTE
ENDURANCE OPERATIONS:	3000 OPERATIONS
ENCLOSURE:	TYPE 4X, IP69K (SINGLE PHASE)

MATERIAL NO.	ENGINEERING NO.	LENGTH "L"	LENGTH "A"	POWER-UP
1301530193	30054-1A	2 FT 9.4 IN.	1 FT	AUTO
1301530199	30054-6A	7 FT 9.4 IN.	6 FT	AUTO
1301530196	30054-25A	26 FT 9.4 IN.	25 FT	AUTO
1301530194	30054-1M	2 FT 9.4 IN.	1 FT	MANUAL
1301530200	30054-6M	7 FT 9.4 IN.	6 FT	MANUAL
1301530197	30054-25M	26 FT 9.4 IN.	25 FT	MANUAL

<b>FUNCTIONAL SYMBOLS</b> FA = 0 FE = 0 FP = 0 <b>DIVISIONAL SYMBOLS</b>	THIS DRAWING CONTAINS INFORMATION THAT IS PROPRIETARY TO MOLEX ELECTRONIC TECHNOLOGIES, LLC AND SHOULD NOT BE USED WITHOUT WRITTEN PERMISSION CURRENT REV DESC: UPDATED GFCI BODY							
	DIMENSION UNITS: INCH SCALE: NTS	GENERAL TOLERANCES (UNLESS SPECIFIED) ANGULAR TOL ± °				EC NO: 788654 DRWN: PPURSUTANDEL 2024/06/06 CHK'D: DNGUYEN62 2024/06/11 APPR: HKNEELAND 2024/06/13		
	DRAFT WHERE APPLICABLE MUST REMAIN WITHIN DIMENSIONS		THIRD ANGLE PROJECTION	DRAWING: D-SIZE	SERIES: 130153	MATERIAL NUMBER: SEE TABLE CUSTOMER: GENERAL MARKET		
	INITIAL REVISION: DRWN: PPURSUTANDEL 2021/07/06 APPR: HKNEELAND 2021/08/17			DOCUMENT NUMBER: 1301530193	DOC TYPE: PSD	DOC PART: 000	REVISION: B	SHEET NUMBER: 1 OF 1