



Connectors > Connector Accessories > Connector Hardware



Hardware Accessory Function: **Latching, Locking & Retention**

Connector Hardware Accessory Type: **Coupling Ring**

Primary Product Color: **Black**

Primary Product Material: **Polyphenylene Oxide**

Features

Product Type Features

| | |
|-----------------------------------|-------------------------------|
| Hardware Accessory Function | Latching, Locking & Retention |
| Connector Hardware Accessory Type | Coupling Ring |

Body Features

| | |
|--------------------------|---------------------|
| Primary Product Color | Black |
| Primary Product Material | Polyphenylene Oxide |

Operation/Application

| | |
|--------------------------------------|----|
| Compatible With Connector Shell Size | 23 |
|--------------------------------------|----|

Packaging Features

| | |
|--------------------|---|
| Packaging Quantity | 1 |
|--------------------|---|

Product Compliance

[For compliance documentation, visit the product page on TE.com>](#)

| | |
|-----------------------------------------------|-----------------------------------------|
| EU RoHS Directive 2011/65/EU | Compliant |
| EU ELV Directive 2000/53/EC | Compliant |
| China RoHS 2 Directive MIIT Order No 32, 2016 | No Restricted Materials Above Threshold |
| EU REACH Regulation (EC) No. 1907/2006 | |

Current ECHA Candidate List: JUNE 2024 (241)
 Candidate List Declared Against: JUNE 2024 (241)
 Does not contain REACH SVHC

Halogen Content

Low Halogen - Br, Cl, F, I < 900 ppm per homogenous material. Also BFR/CFR/PVC Free

Solder Process Capability

Not applicable for solder process capability

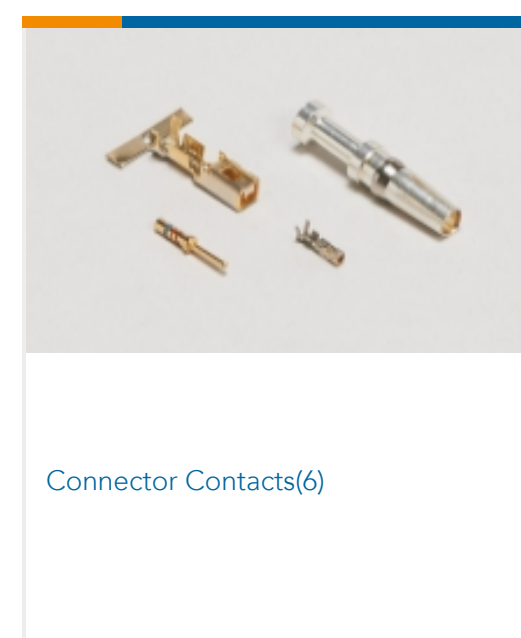
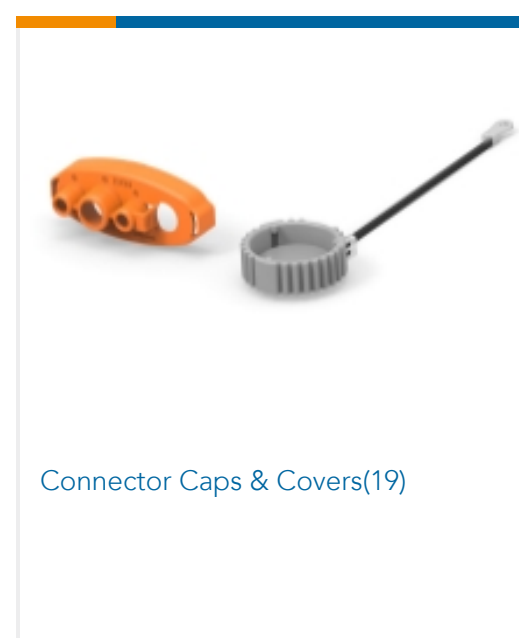
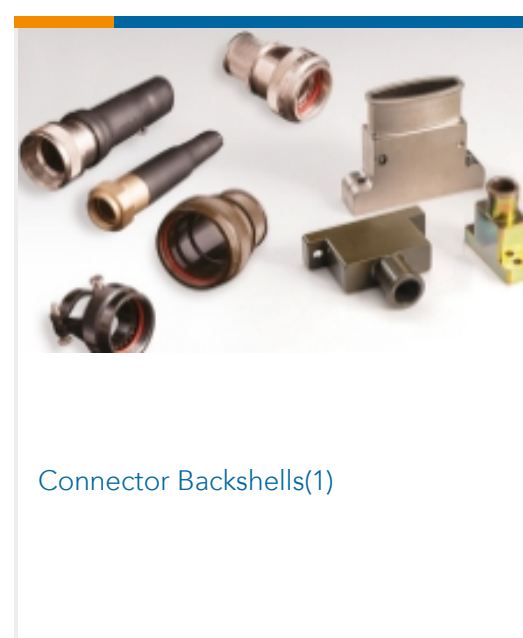
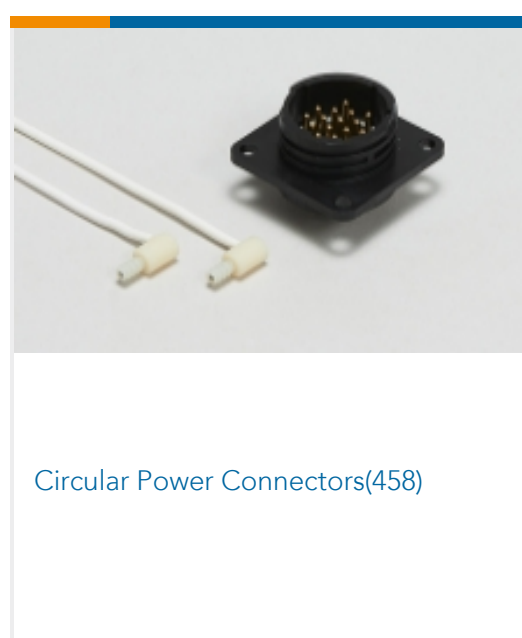
Product Compliance Disclaimer

This information is provided based on reasonable inquiry of our suppliers and represents our current actual knowledge based on the information they provided. This information is subject to change. The part numbers that TE has identified as EU RoHS compliant have a maximum concentration of 0.1% by weight in homogenous materials for lead, hexavalent chromium, mercury, PBB, PBDE, DBP, BBP, DEHP, DIBP, and 0.01% for cadmium, or qualify for an exemption to these limits as defined in the Annexes of Directive 2011/65/EU (RoHS2). Finished electrical and electronic equipment products will be CE marked as required by Directive 2011/65/EU. Components may not be CE marked. Additionally, the part numbers that TE has identified as EU ELV compliant have a maximum concentration of 0.1% by weight in homogenous materials for lead, hexavalent chromium, and mercury, and 0.01% for cadmium, or qualify for an exemption to these limits as defined in the Annexes of Directive 2000/53/EC (ELV). Regarding the REACH Regulation, the information TE provides on SVHC in articles for this part number is based on the latest European Chemicals Agency (ECHA) 'Guidance on requirements for substances in articles' posted at this URL: <https://echa.europa.eu/guidance-documents/guidance-on-reach>

Compatible Parts



Also in the Series | AMP CPC





Connector Hardware(12)



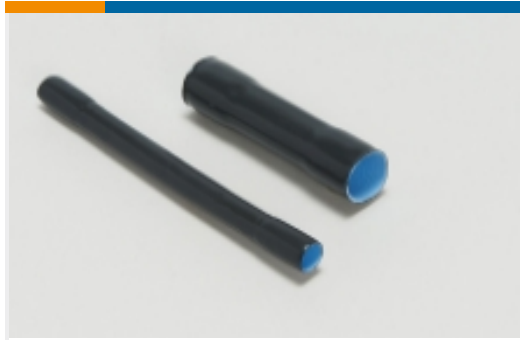
Connector Seals & Cavity Plugs(36)



Connector Strain Relief(60)

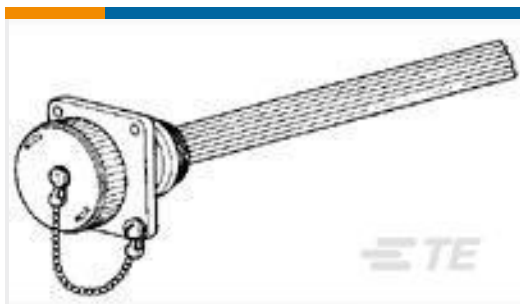


Insertion & Extraction Tools(1)



Sealing Sleeves(2)

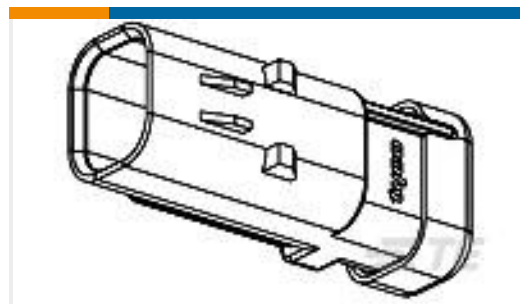
Customers Also Bought



TE Part #213485-1
CPC SEALING CAP ASSY SIZE 13



TE Part #206151-1
23-37 RECEPT STD SEX



TE Part #776428-1
AS16,CAP ASSY,ST,02P,N SEAL,CODE A



TE Part #HD34-24-35SN-059
REC,35P,AL,N, CBLCLMPBT,DRAIN,16 /20,S,MC



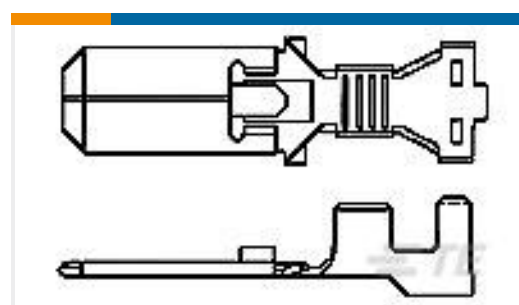
TE Part #1-1393248-0
W33-S1N1Q-20=W33



TE Part #1393249-7
W58-XB1A4A-10=W58



TE Part #8-1393254-1
W92-X112-5=M6/M7/M9/W6/W7



TE Part #344008-1
.250\"/>



TE Part #2600046-1
18CCT RECEPT BLACK KEYING A W /SEAL



TE Part #6-1393254-8
W92-X112-10=M6/M7/M9/W6/W7

Documents



Product Drawings

[COUPLING RING,SZ 23,CPC](#)

English

CAD Files

[3D PDF](#)

English

Customer View Model

[ENG_CVM_206251-1_D.2d_dxf.zip](#)

English

Customer View Model

[ENG_CVM_206251-1_D.3d_igs.zip](#)

English

Customer View Model

[ENG_CVM_206251-1_D.3d_stp.zip](#)

English

[3D PDF](#)

3D

Customer View Model

[ENG_CVM_CVM_206251-1_Y.2d_dxf.zip](#)

English

Customer View Model

[ENG_CVM_CVM_206251-1_Y.3d_igs.zip](#)

English

Customer View Model

[ENG_CVM_CVM_206251-1_Y.3d_stp.zip](#)

English

By downloading the CAD file I accept and agree to the [Terms and Conditions](#) of use.

Instruction Sheets

[Instruction Sheet \(U.S.\)](#)

English

Agency Approvals

[CSA Certificate](#)

English

[CSA Certificate](#)

English