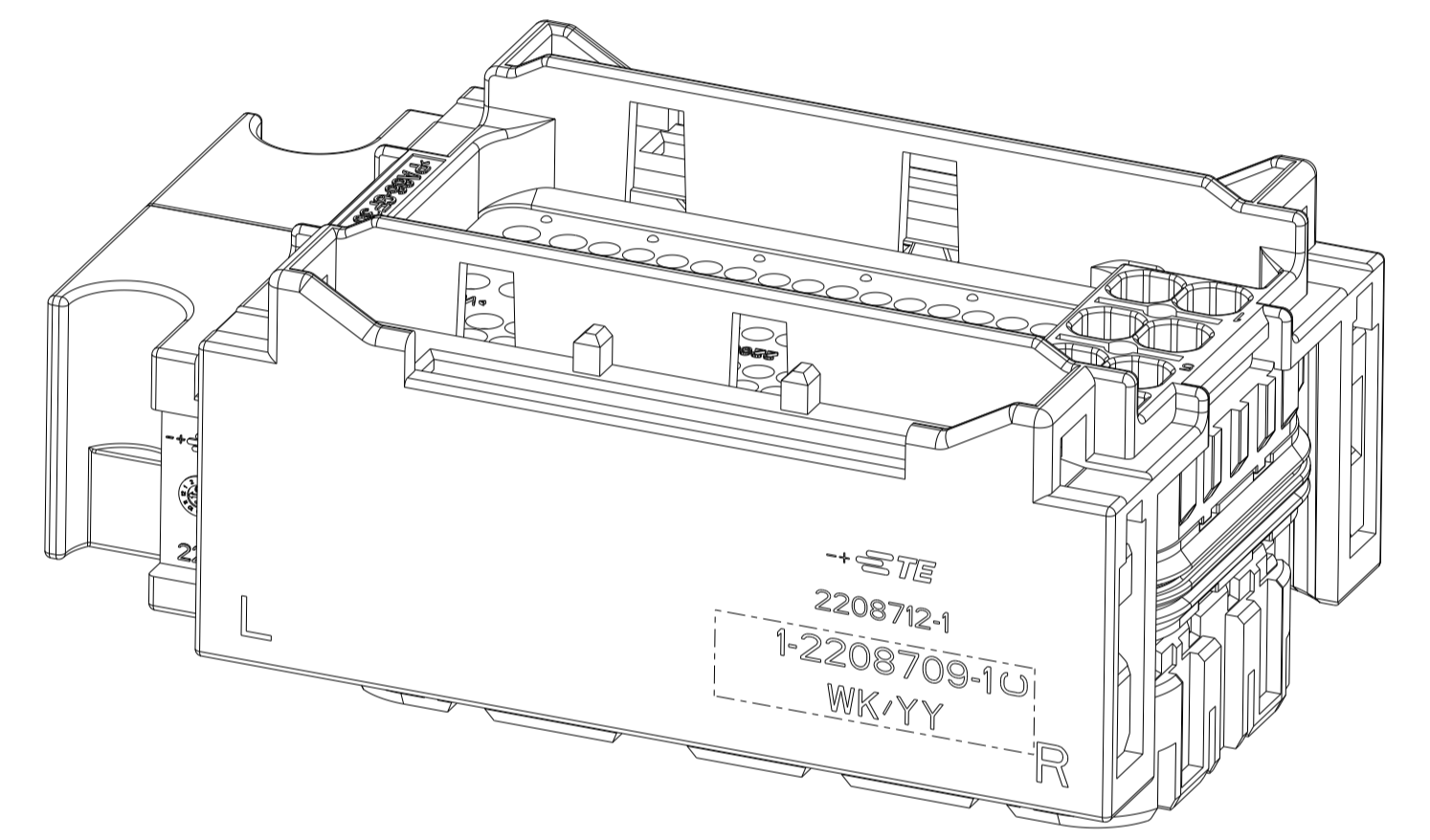
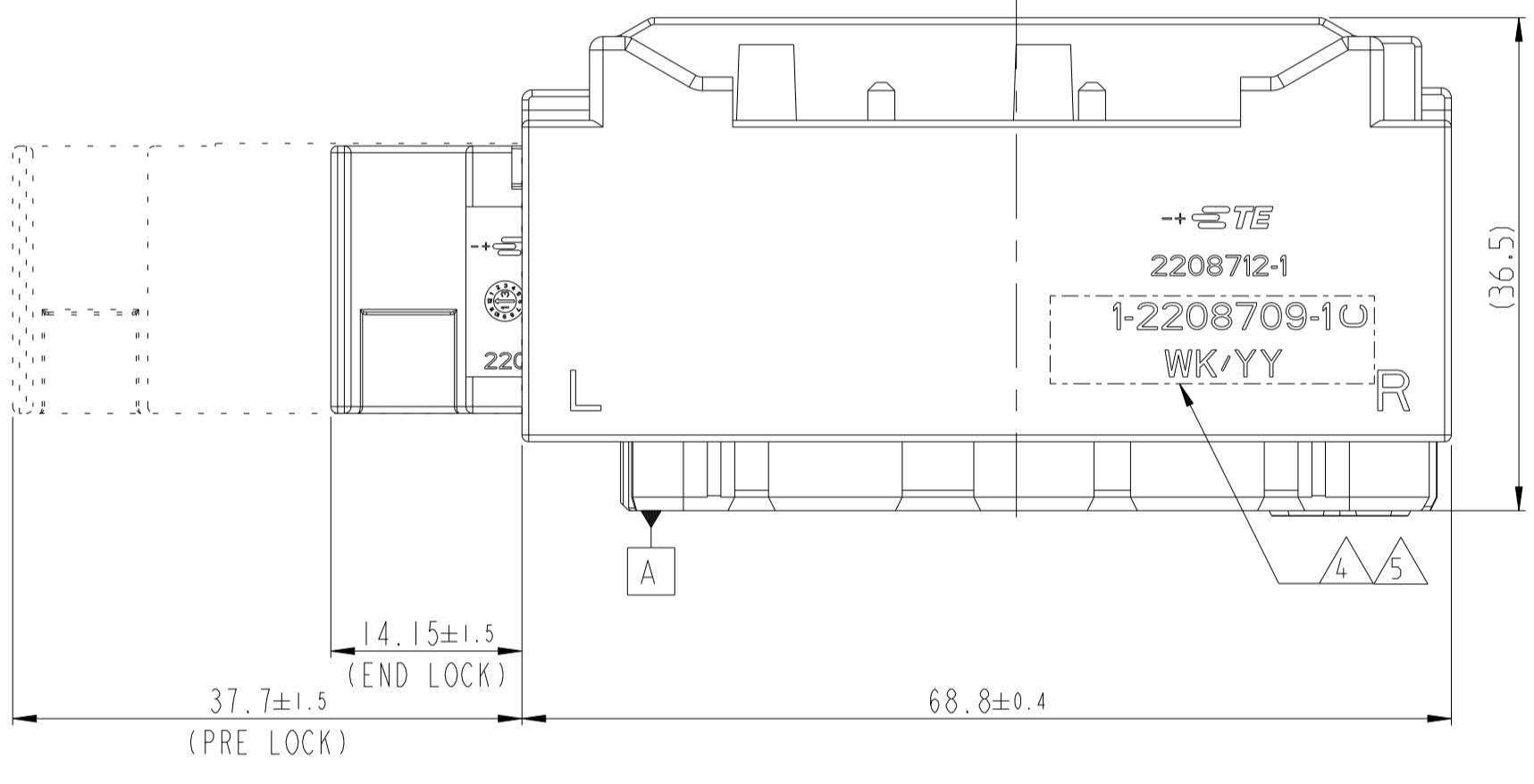
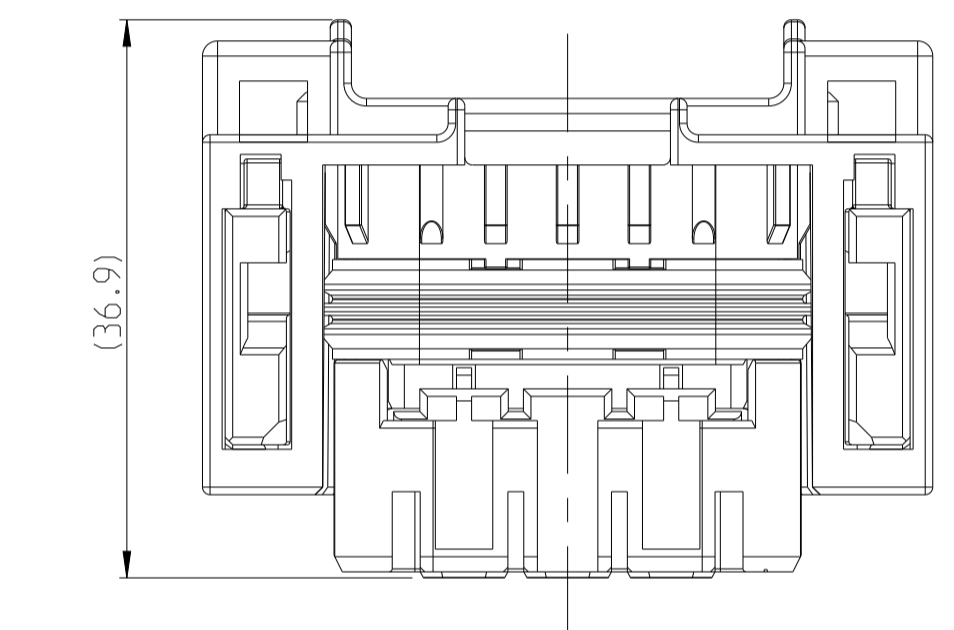


**DELIVERY CONDITION;
 Anlieferungszustand;
 SLIDE IN END POSITION
 Schieben in Endraststellung**

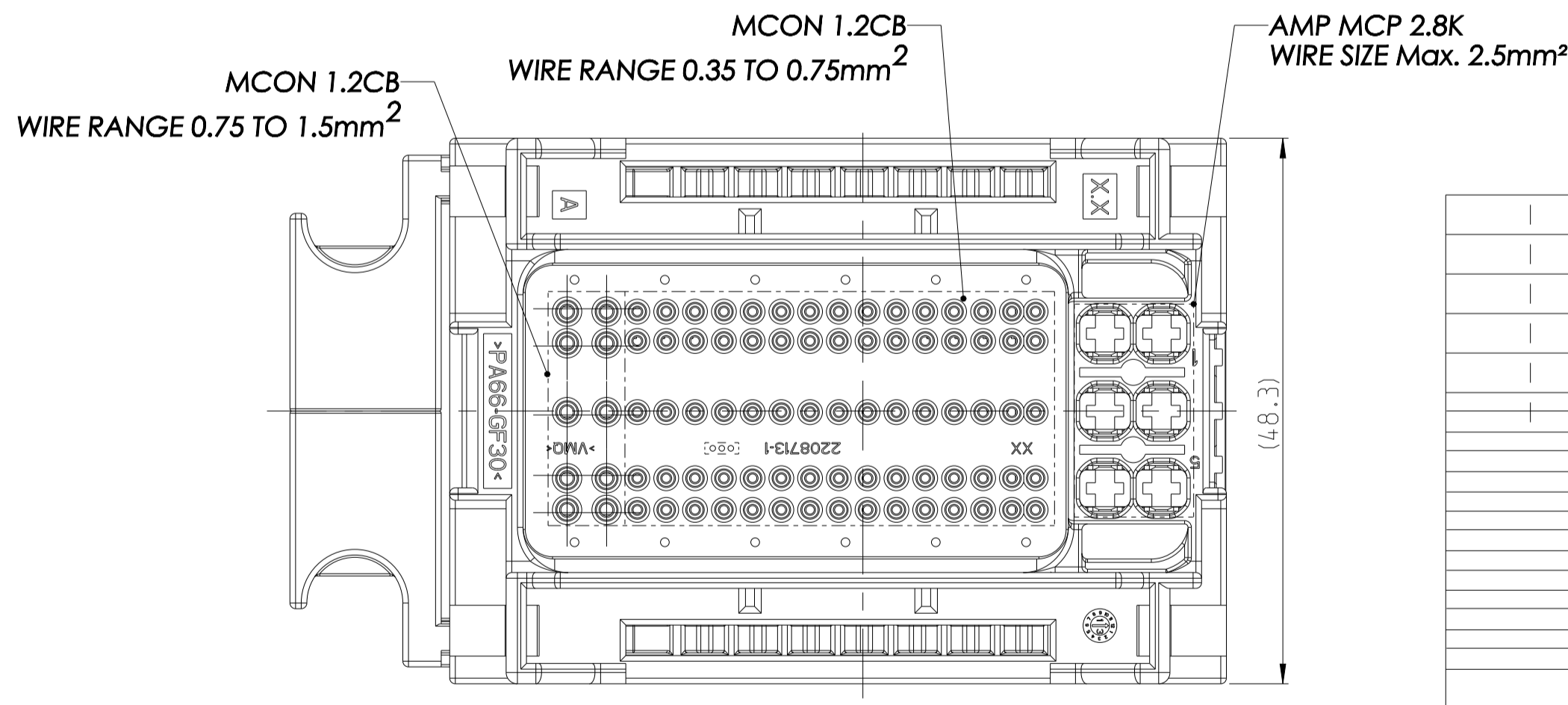
REV	DATE	BY	CHK	DESCRIPTION
B1	10FEB2015	ACH	GKT	ASSY REV. AND ITEM NO 5 AND 6 REV CHANGED
B2	14JUL2016	SS	GKT	CONTACT- WIRE ASSIGNMENT ADDED
B3	27SEP2016	RS	GKT	INTERFACE AND APPLICATION SPEC. NO.'s ADDED
C1	23NOV2022	KC	MDG	MATERIAL CHANGE FOR FAMILY SEAL

- NOTES**
- USED WITH:
 SEALING PLATE:- X-2208716-X
 RETAINER:- 2208714-2 AND 2208715-1
 COVER ASSY:- 2208728-1/2208729-1/2208730-1/
 2208731-1/2208732-1
 PARTS HAVE TO BE ORDERED SEPARATELY
 - PACKAGING: LAYERS IN BOX
 - SUITABLE CONTACTS E.G.:-
 MCON 1.2 CB 1534594-1/-2/-3 FOR 0.35mm²
 MCON 1.2 CB 1670144-1/-2/-3 FOR 0.5-0.75mm²
 MCON 1.2 CB 1452503-1/-2/-3 FOR 1.0-1.5mm²
 AMP MCP 2.8K 1241396-1/-2/-3 FOR 1.5mm²-2.5mm²
 AMP MCP 2.8K 1241394-1/-2/-3 FOR 0.5mm²-1mm²
 AMP MCP 2.8K 1564984-1/-2/-3 FOR 0.35mm²



- △ 4 LASER MARKING, PRINT AFTER ASSEMBLY, CHARACTERS ACC. TO DIN 1451-H2
 △ 5 TE-ASSY NO. (SEE TABLE), TE-ASSY REVISION, TE-ASSY PRODUCTION DATE
 △ 6 SUITABLE TE HEADER - 2005513 SUITABLE TE INTERFACE - 114-61042

- Bemerkungen**
- Benutzt mit :
 Dichtungshalter:- X-2208716-X
 Retainer:- 2208714-2 AND 2208715-1
 Koppe Assy:- 2208728-1/2208729-1/2208730-1/
 2208731-1/2208732-1
 Teile muessen separat bestellt werden
 - Logenverpackung
 - Passende Kontakte:
 MCON 1.2 CB 1534594-1/-2/-3 fuer 0.35mm²
 MCON 1.2 CB 1670144-1/-2/-3 fuer 0.5-0.75mm²
 MCON 1.2 CB 1452503-1/-2/-3 fuer 1.0-1.5mm²
 AMP MCP 2.8K 1241396-1/-2/-3 fuer 1.5mm²-2.5mm²
 AMP MCP 2.8K 1241394-1/-2/-3 fuer 0.5mm²-1mm²
 AMP MCP 2.8K 1564984-1/-2/-3 fuer 0.35mm²



**1-2208709-1 AS SHOWN
 wie gezeichnet**

QTY.	QTY.	QTY.	QTY.	QTY.	QTY.	QTY.	QTY.	QTY.	REV	COLOUR	MATERIAL	DESCRIPTION	ITEM NO
63	63	63	63	63	63	63	63	63	WEIGHT (g)				
8	7	6	5	4	3	2	1	1	CODING				
B	B	B	B	B	B	B	B	C1	REV				
1-2208709-8	1-2208709-7	1-2208709-6	1-2208709-5	1-2208709-4	1-2208709-3	1-2208709-2	1-2208709-1					TE ASSY NO'S	

**Kontakt-/ Leitungsbestueckung
 Contact-/ Wire assignment**

7	8	9	19	20	21	22	23		
1	2	24	25	26	36	37	38	39	40
3	4	41	42	43	53	54	55	56	57
5	6	58	59	60	70	71	72	73	74
		75	76	77	87	88	89	90	91

- Kammer fuer Flachkontakt 2.8. max. 2.5mm² Leitung
 Cavity for Flat Contact 2.8. max. 2.5mm² cable
 Zu verwendende Blindstopfen TE PN 828922-1/-2
 Blind plug to be used TE PN 828922-1/-2
- △ Kammer fuer Flachkontakt 1.2. 0.35 - 0.75mm² Leitung
 Cavity for Flat Contact 1.2. 0.35 - 0.75mm² cable
 Zu verwendende Blindkontakte TE PN 2286476-1
 Blind contacts to be used TE PN 2286476-1
- Kammer fuer Flachkontakt 1.2. 0.75 - 1.5mm² Leitung
 Cavity for Flat Contact 1.2. 0.75 - 1.5mm² cable
 Zu verwendende Blindkontakte VW PN 4H0 971 904 A / RB PN 1 928 C04 526 -01
 Blind contacts to be used VW PN 4H0 971 904 A / RB PN 1 928 C04 526 -01

**PRODUCT CHARACTERISTICS ACC. QMP EMEA-12
 BESONDERE MERKMALE NACH QMP EMEA-12**

THIS DRAWING IS A CONTROLLED DOCUMENT. DIMENSIONING AND TOLERANCING PER GPS (ISO STANDARDS)

STE TE Connectivity

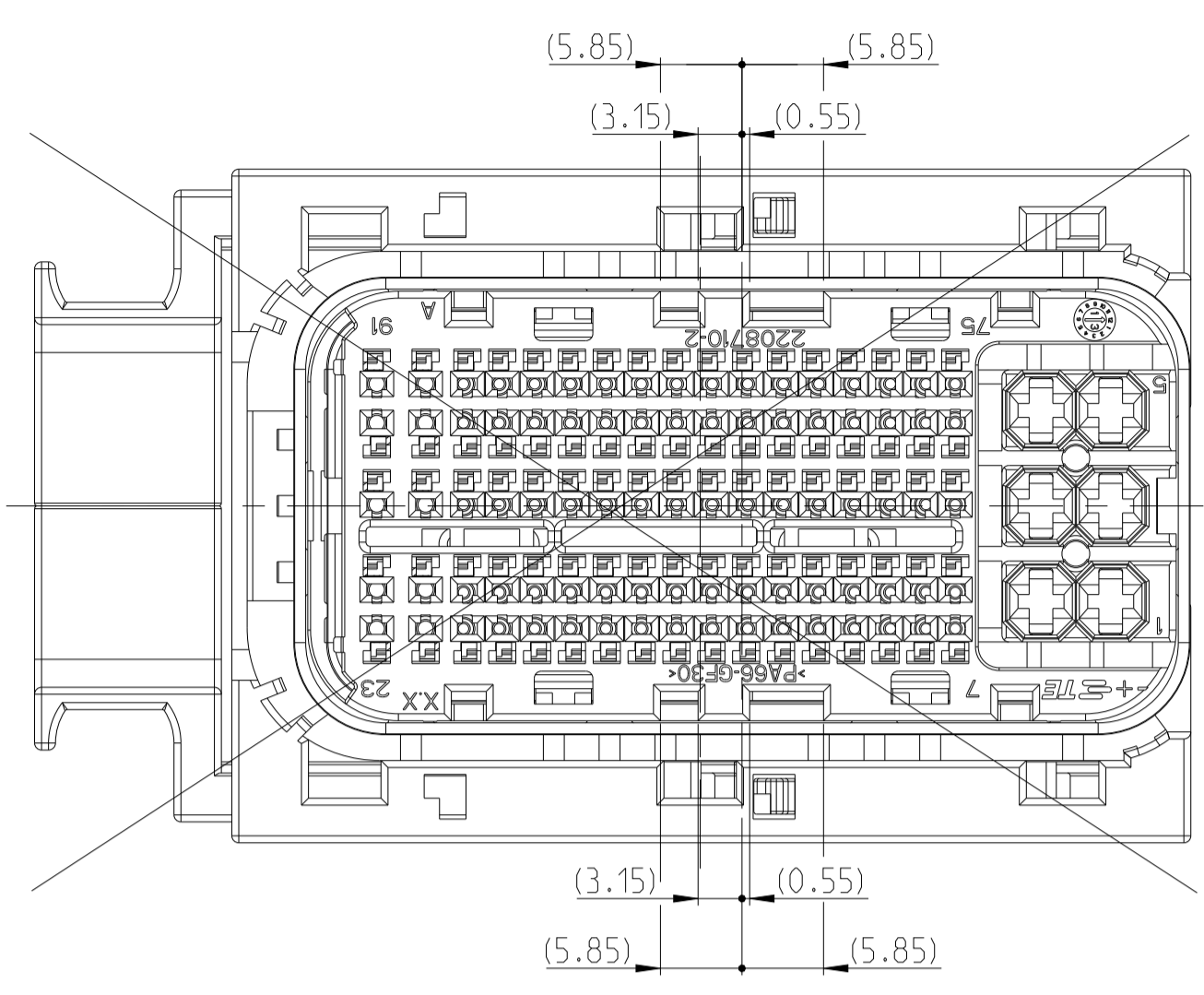
91 WAY CONNECTOR ASSY
 MCON 1.2 CB, AMP MCP 2.8

DATE: 16SEP2013
 CHECKED: RAMESH S
 NAME: M. ZAYC

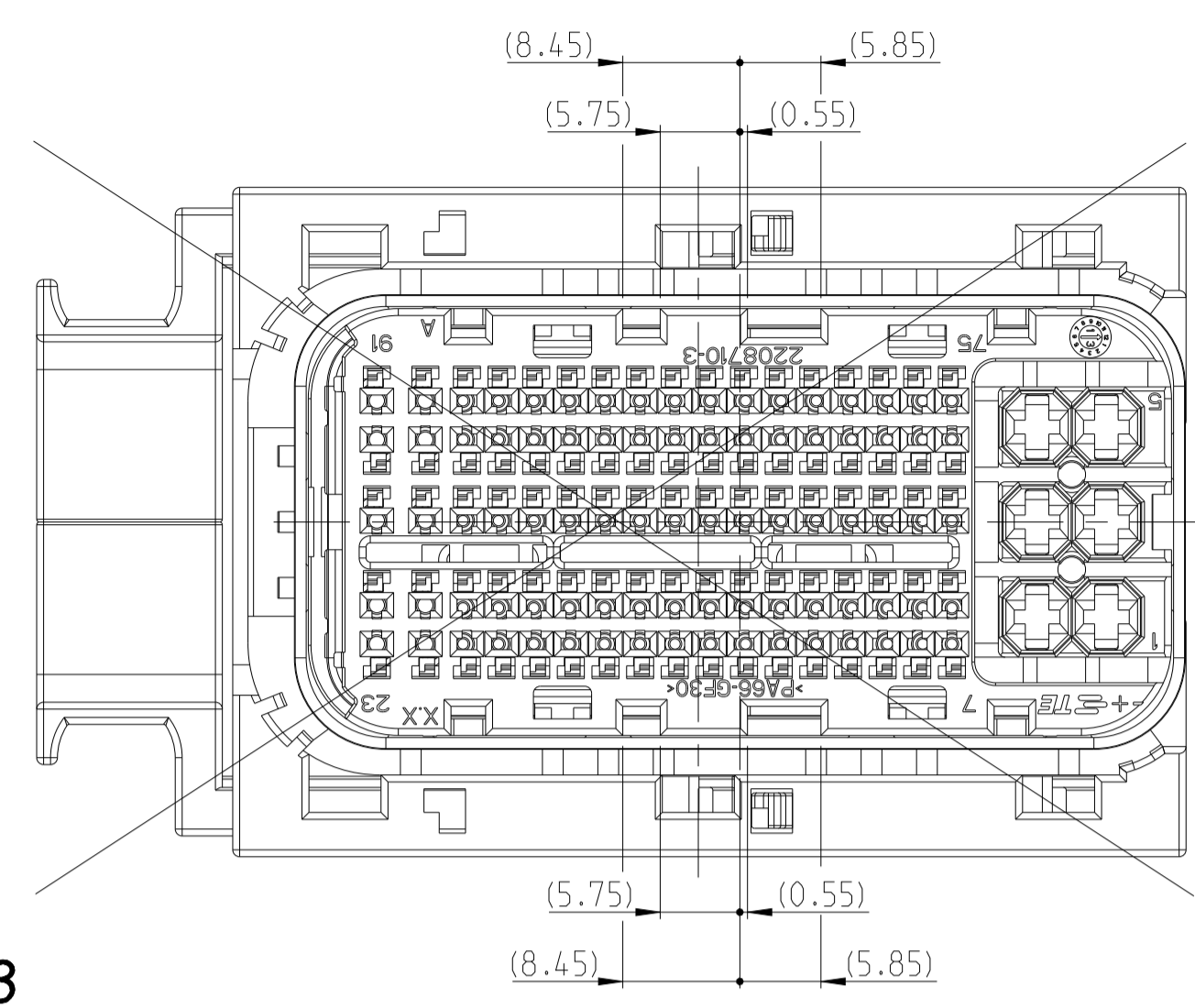
Customer Drawing

PROJKT NR.:		REVISIONS		
P	LTN	ÄNDERUNGEN	DATE	APVD
-	SEE SHEET 1	BESCHREIBUNG		

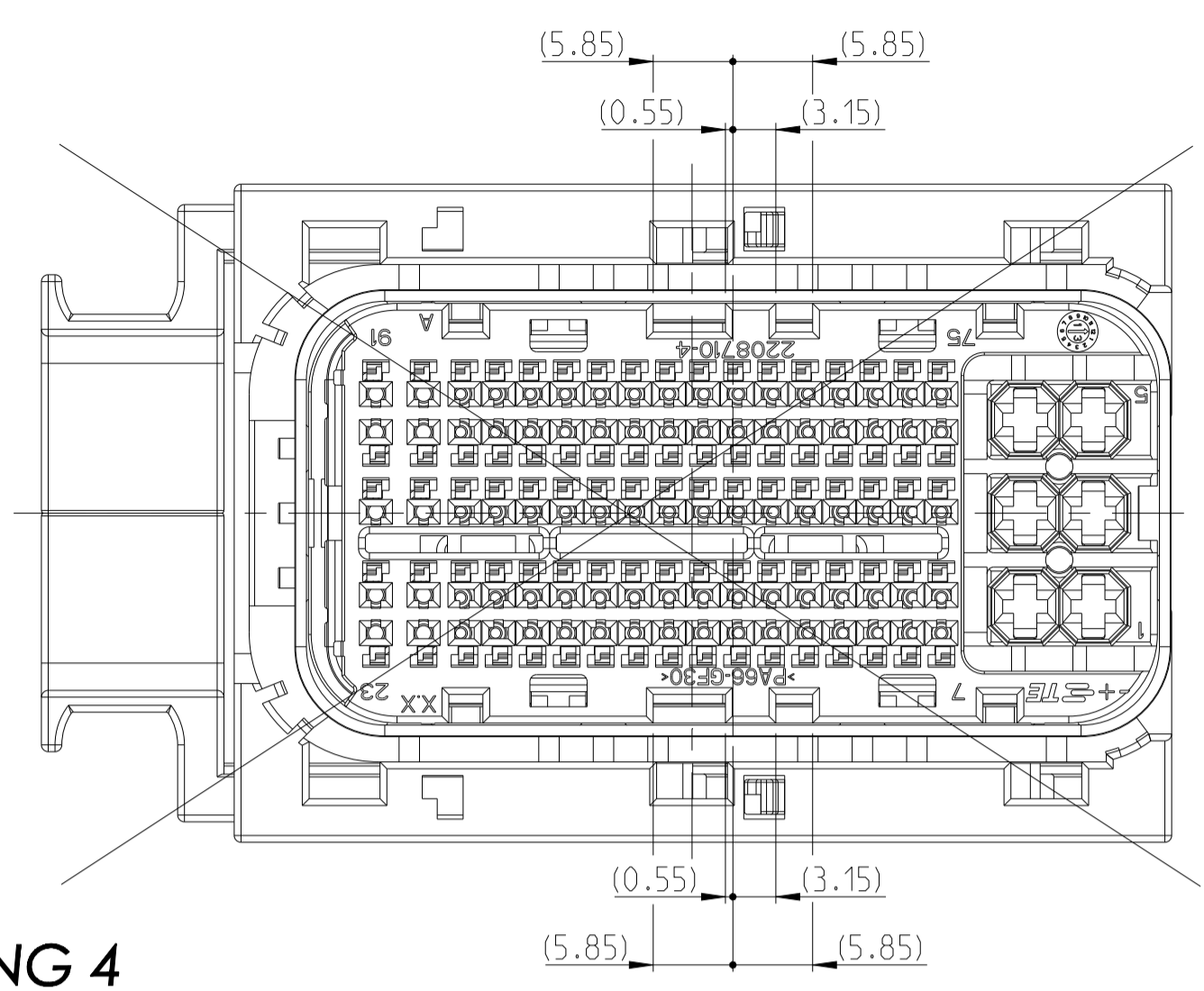
CODINGS
 Kodierungen



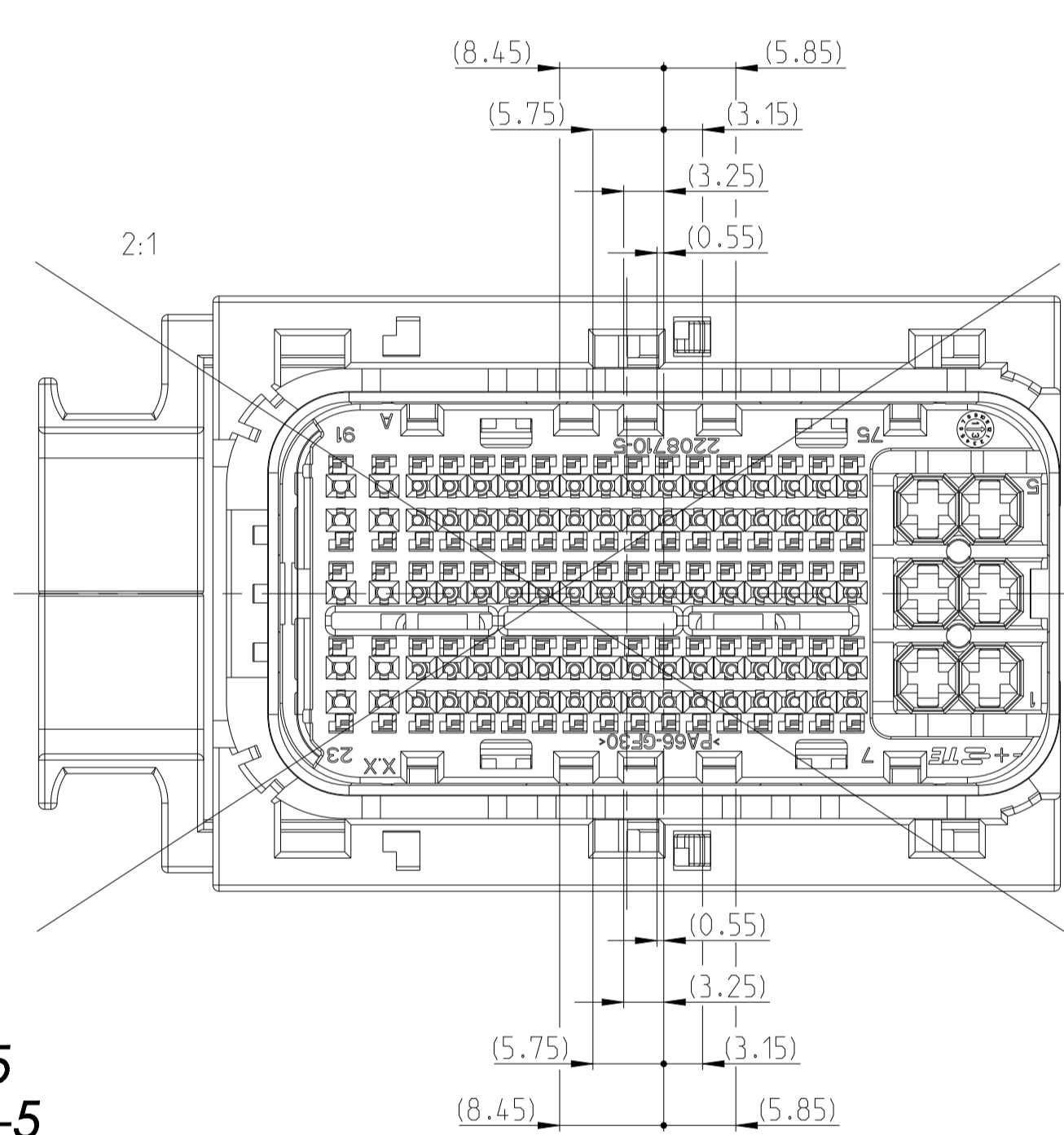
CODING 2
 1-2208709-2



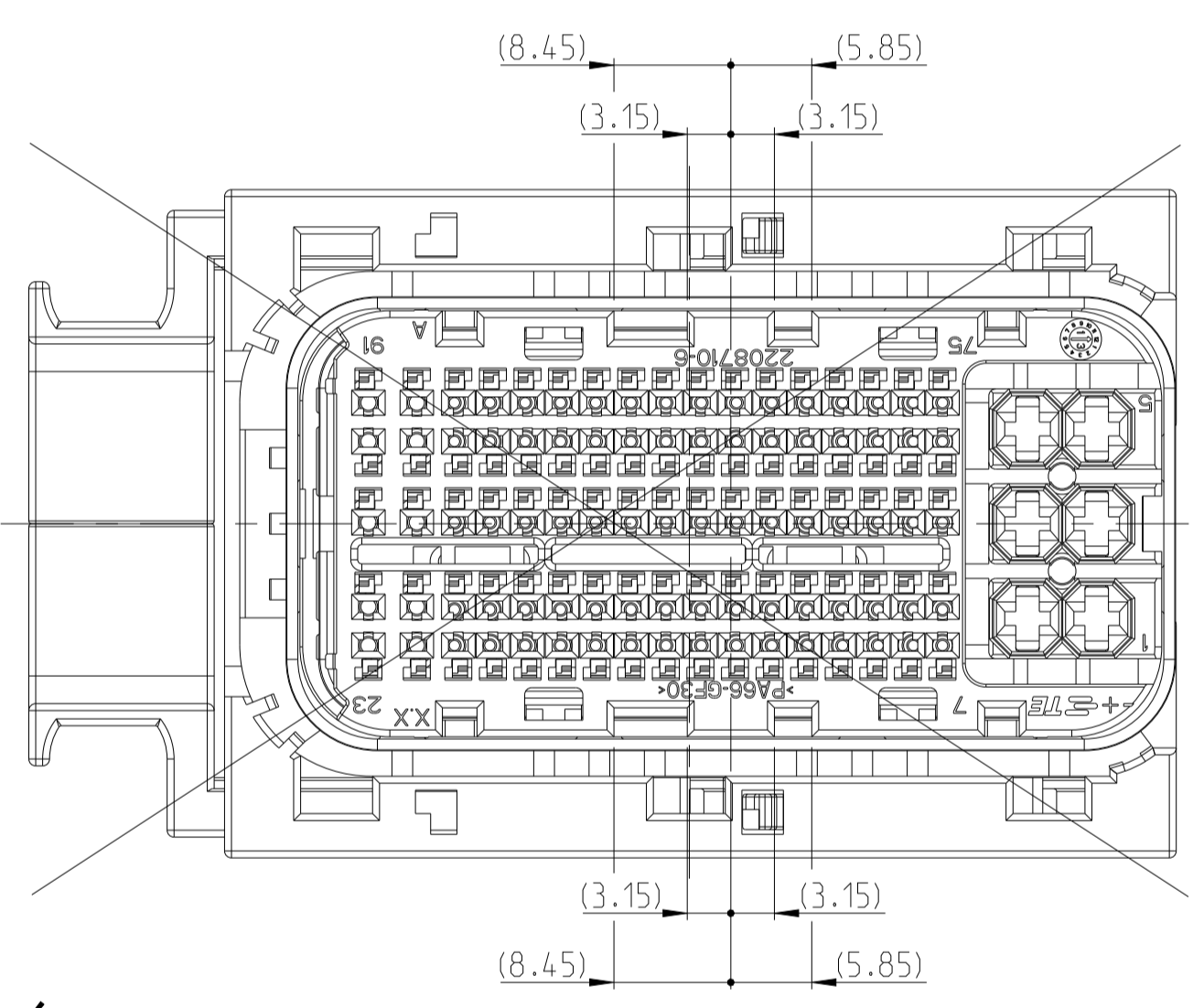
CODING 3
 1-2208709-3



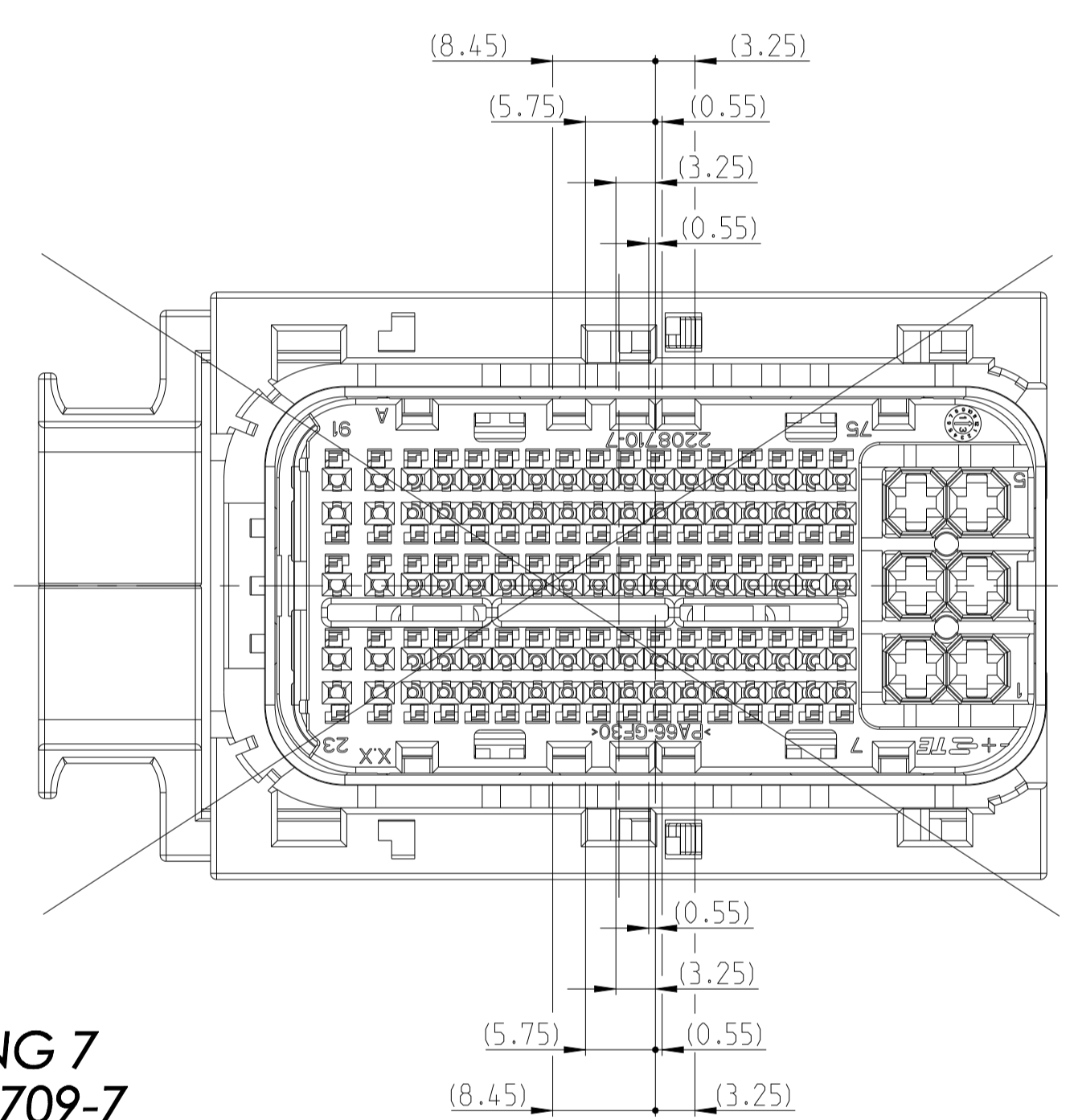
CODING 4
 1-2208709-4



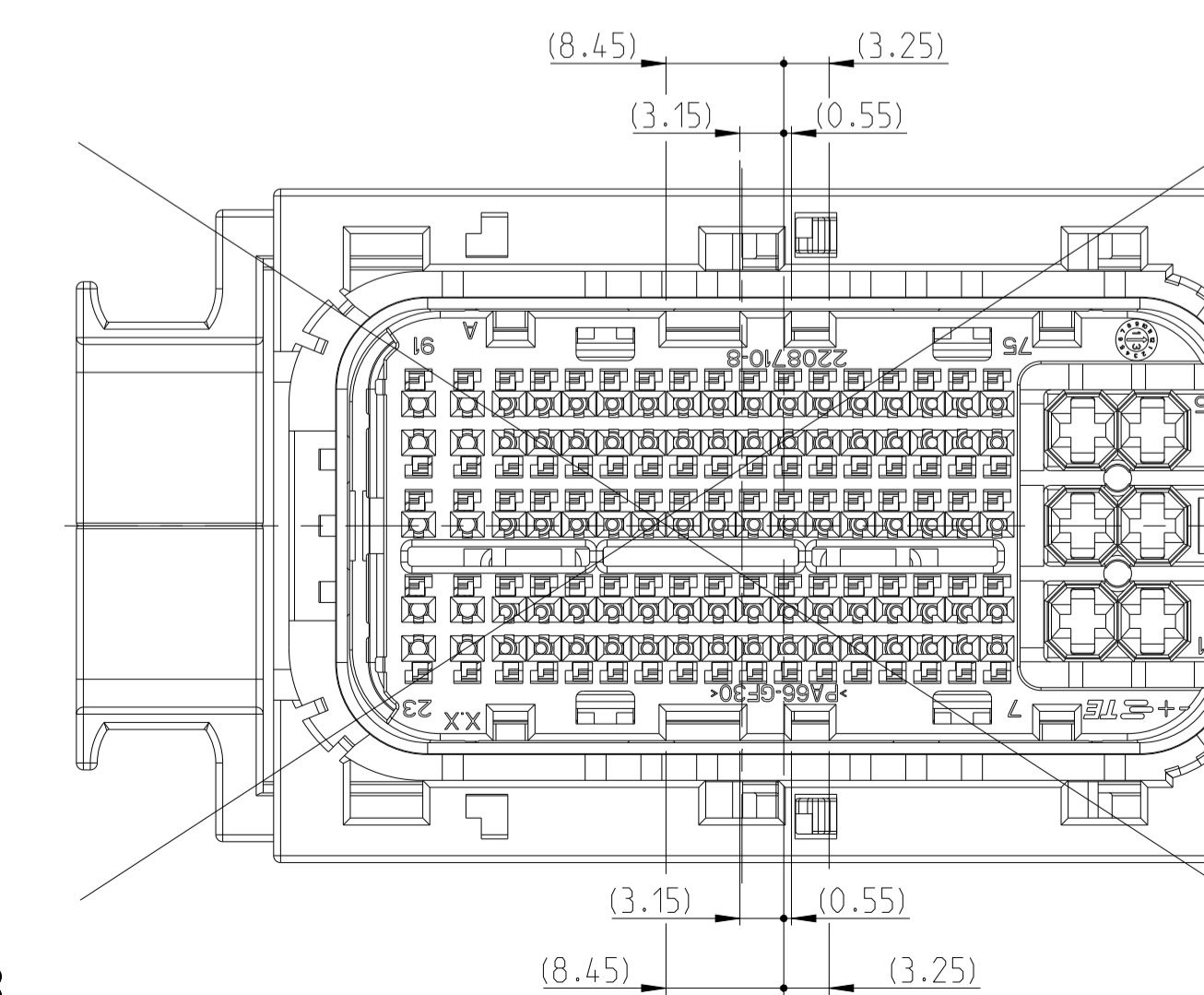
CODING 5
 1-2208709-5



CODING 6
 1-2208709-6



CODING 7
 1-2208709-7



CODING 8
 1-2208709-8

PRODUCT CHARACTERISTICS ACC. QMP EMEA_12 BESONDERE MERKMALE NACH QMP EMEA_12 TOLERANCES UNLESS OTHERWISE SPECIFIED ACC. TO DIN 16901-140@CENTRIC TO NOMINAL DIMENSION, EDITION 1982-11 SHALL APPLY. FREIEMASSSTOLERANZEN NACH DIN 16901-140@Z. Es gilt die Ausgabe 1982-11. THIS DRAWING IS A CONTROLLED DOCUMENT. DIMENSIONING AND TOLERANCING PER GPS (ISO STANDARDS)		DWN: RAMESH.S 16SEP2013 CHK: M.ZAYC 03OCT2013 APVD: GOP1.KT 07OCT2013 NAME: M.ZAYC PRODUCT SPEC: - APPLICATION SPEC: - VERARBEITUNGSSPEZ.: - WEIGHT: - CUSTOMER DRAWING	SCALE: 2:1 SHEET: 2 OF 2 REV: C 1
DIMENSIONS: MASSENHEITEN: mm TOLERANCES UNLESS OTHERWISE SPECIFIED: ALLE TOLERANZEN: 0-PLC: ± 1-PLC: ± 2-PLC: ± 3-PLC: ± 4-PLC: ± ANGLES/OW/INCL: ° FINISH/SCHREIFLÄCHE/FARBE: -	MATERIAL: SEE TABLE	DRAWING NO: 2208709 SHEET: 2 OF 2 REV: C 1	RESTRICTED TO: NUR FÜR: -