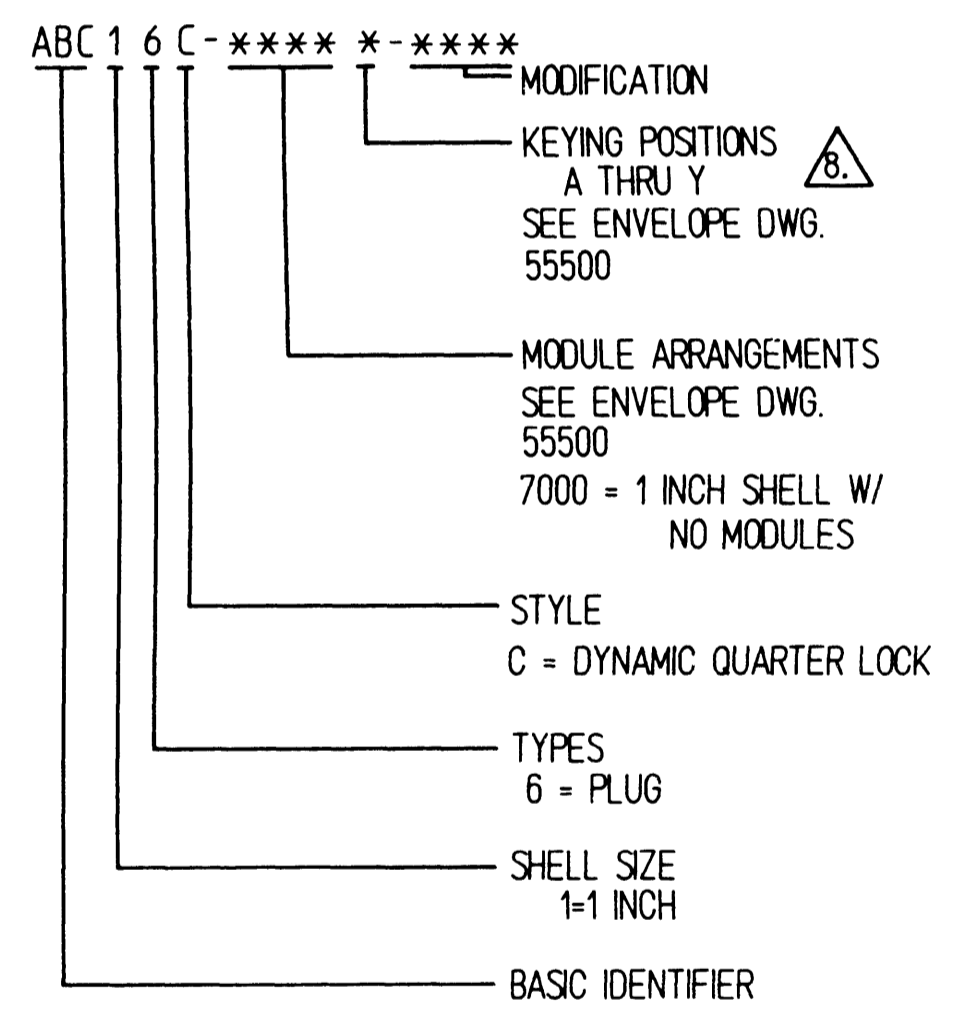
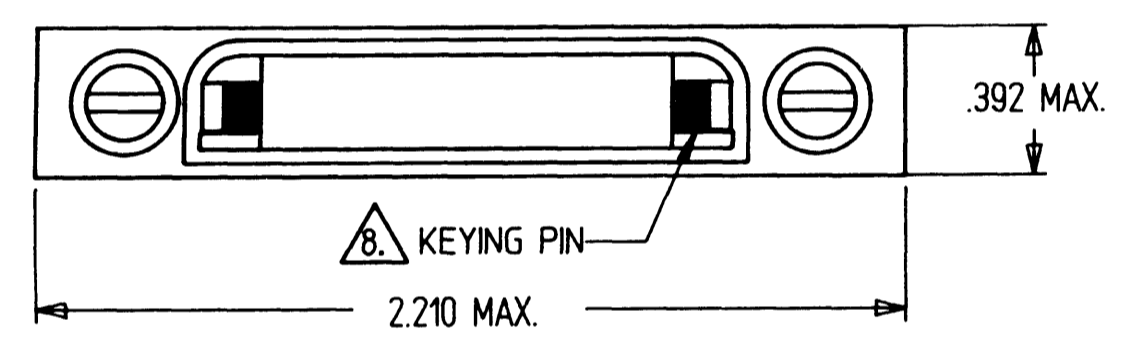
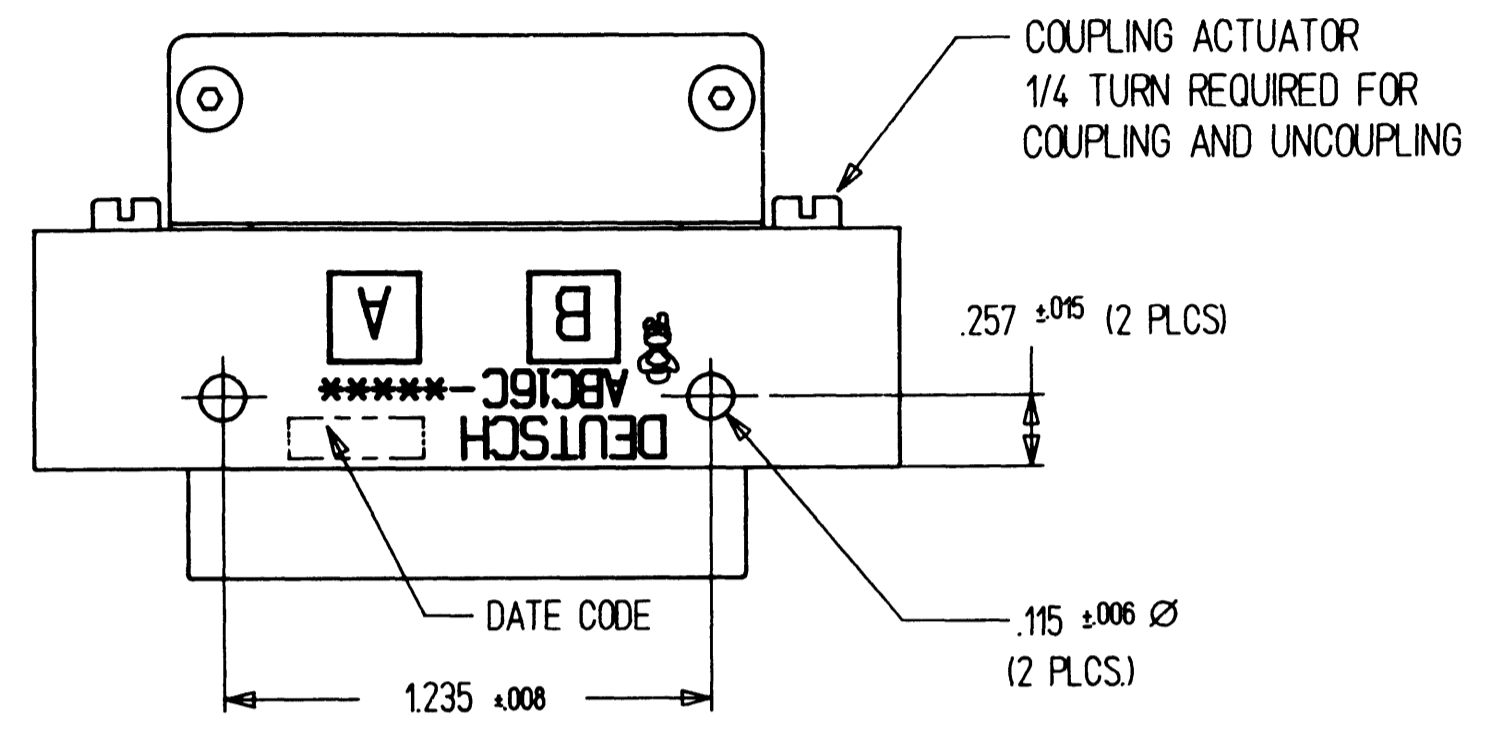
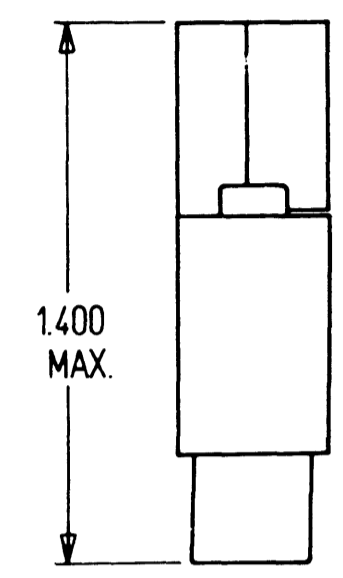
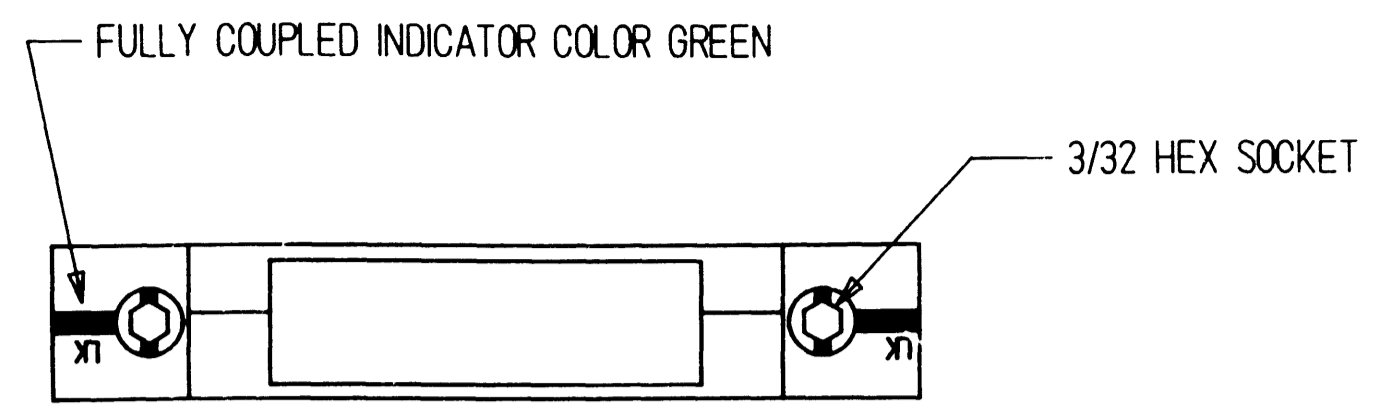


A ABC16C-****

REV	DESCRIPTION	DATE	APPROVED
N/C	NEW RELEASE PER E.O. A 9887	6/16/89	L.L.A.
A	CHANGED PER E.O. A 10205	11-5-92	J



8. WHEN NO LETTER IS CALLED OUT KEYING PINS ARE SHIPPED LOOSE AND INSTALLED BY CUSTOMER. EXAMPLE P/N: ABC16C-7000. IF LETTER A-Y IS CALLED OUT FACTORY INSTALLS KEYING PINS. EXAMPLE P/N ABC16C-7000A.

- FOR INSERT ARRANGEMENTS AND KEYING POSITIONS SEE ENVELOPE DRAWING 55500.
- SEE DEUTSCH ENVELOPE DRAWINGS FOR CRIMP TOOL AND POSITIONER AND SOCKET CONTACTS 12336-*** AND PIN CONTACTS 12331-***.
- MATES WITH ABC RECEPTACLE CONNECTOR.
- FINISH: SHELL DEUTSCH SPECIAL METALIZED SURFACE.
- MATERIAL: SHELL COMPOSITE MATERIAL. METAL COMPONENTS STAINLESS STEEL.
- FOR AVAILABILITY CONSULT FACTORY.
- DIMENSIONS ARE IN INCHES UNLESS OTHERWISE SPECIFIED.

NOTE:

SIGNATURE & DATE		<p>PLUG 1 INCH DQL DYNAMIC QUARTER LOCK COUPLING ABC CONNECTOR ENVELOPE</p>	CP	MATL CODE	
DR	TIM HOLT 5/2/89		<p>DEUTSCH ENGINEERED CONNECTING DEVICES Municipal Airport Banning, California</p>		
CHK	L.L.A. 6/16/89		<p>C DWG SIZE</p>	<p>ABC16C-****</p>	
PE	TIM HOLT 5/2/89			<p>CODE 1189</p>	<p>SHEET 1 OF 1</p>
APPD		SCALE	NONE	WT	

Mouser Electronics

Authorized Distributor

Click to View Pricing, Inventory, Delivery & Lifecycle Information:

TE Connectivity:

[ABC16C-7001A](#) [ABC16C-7002](#) [ABC16C-7065B-4010](#) [ABC16C-7013A-4010](#) [ABC16C-7000A](#) [ABC16C-7013](#)
[ABC16C-7066](#) [ABC16C-7000B](#) [ABC16C-7013A](#) [ABC16C-7018](#) [ABC16C-7017A](#) [ABC16C-7001B-4010](#) [ABC16C-](#)
[7013C](#) [ABC16C-7065B](#) [ABC16C-7065A](#) [ABC16C-7001A-4010](#) [ABC16C-7029](#) [ABC16C-7013P](#) [ABC16C-7052A](#)
[ABC16C-7013E](#) [ABC16C-7047A](#) [ABC16C-7066B-4010](#) [ABC16C-7018A](#) [ABC16C-7045B](#) [ABC16C-7014](#) [ABC16C-](#)
[7064A-4010](#) [ABC16C-7066B](#) [ABC16C-7064A](#) [ABC16C-7013B](#) [ABC16C-7065C](#) [ABC16C-7045A-4010](#) [ABC16C-](#)
[7064](#) [ABC16C-7000](#) [ABC16C-7066A](#) [ABC16C-7045B-4010](#) [ABC16C-7014A](#) [ABC16C-7065C-4034](#) [ABC16C-7013G](#)
[ABC16C-7065](#) [ABC16C-7047](#) [ABC16C-7066A-4010](#) [ABC16C-7029A](#) [ABC16C-7017](#) [ABC16C-7045A](#) [ABC16C-](#)
[7065A-4010](#)