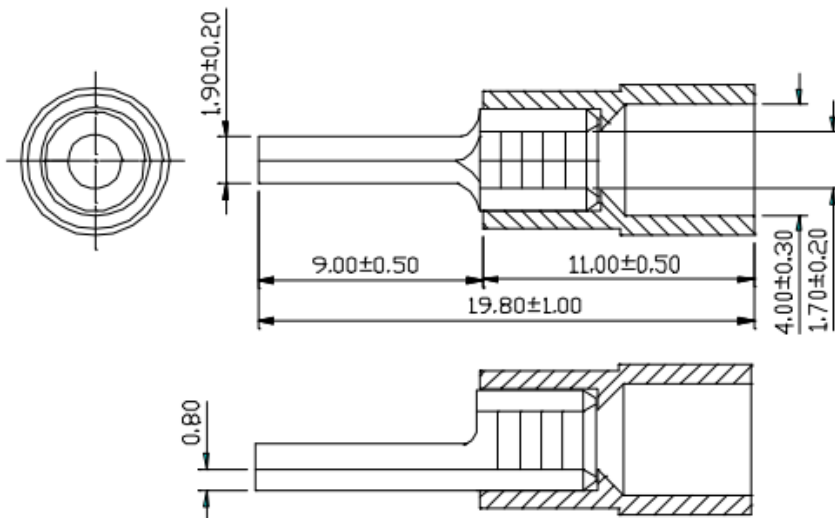


## Datasheet

### Blue crimp pin connector

RS Stock number [613-9637](#)

Dimensions: (mm)



## Specification

- Maximum Electric Current: AWG- 16 | 14 / AMP: 18 | 30
- Maximum Electrical Rating: 75°C 600 Volts Max
- Insulation Material: Vinyl
- Insulation Colour: Blue
- Terminal Material: Copper °C
- Wire Range: 16-14AWG (1.5-2.5mm<sup>2</sup>)