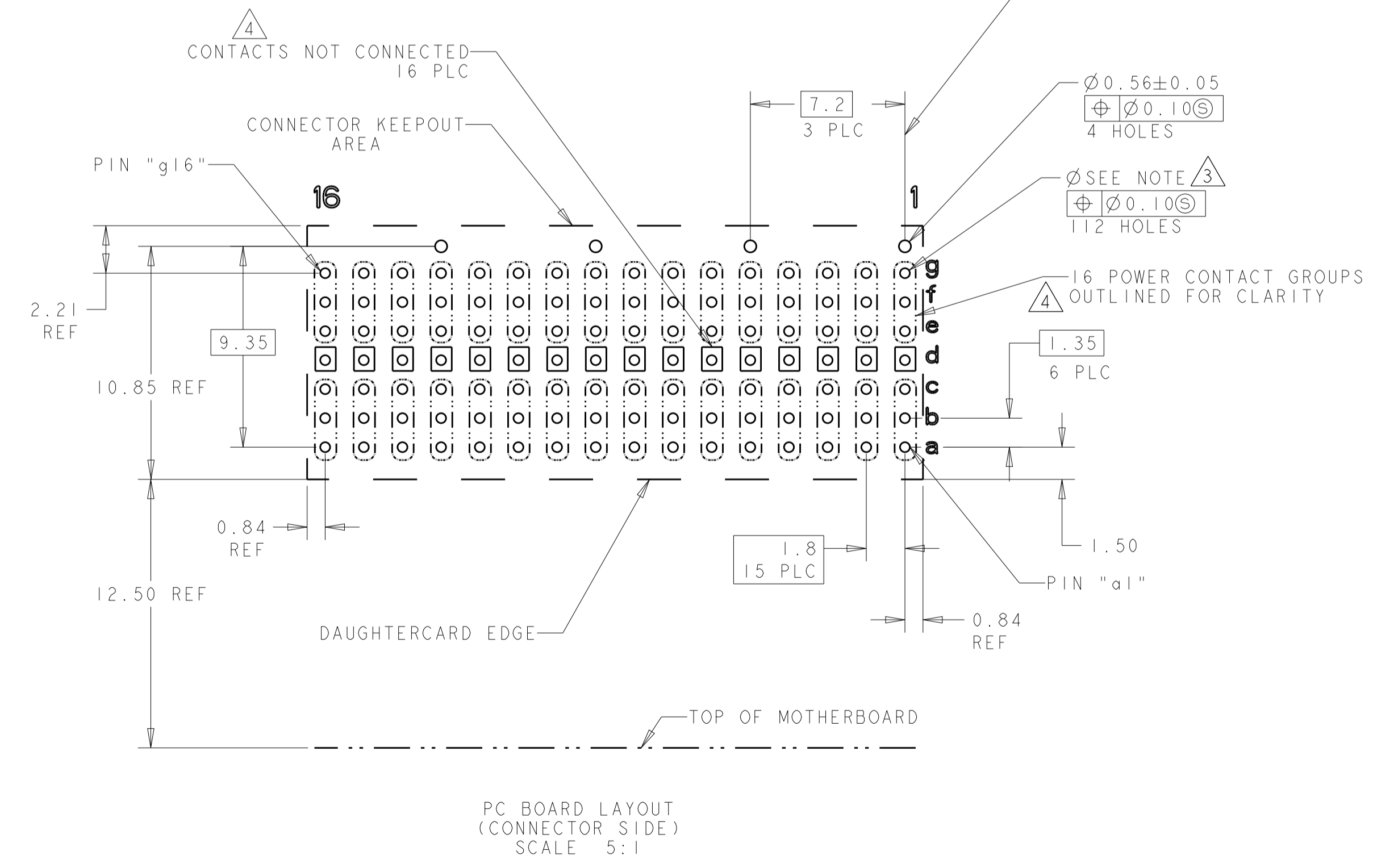
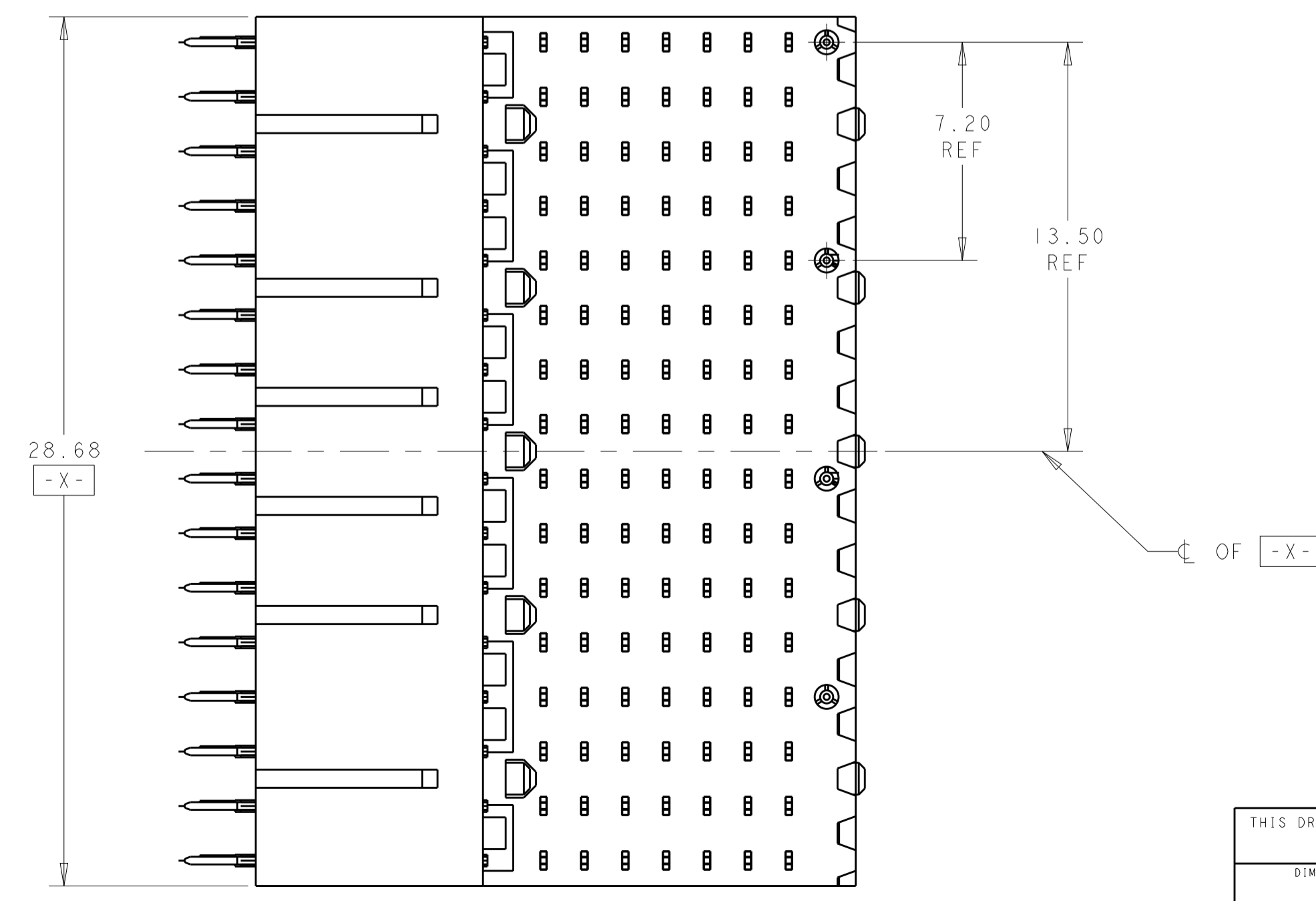
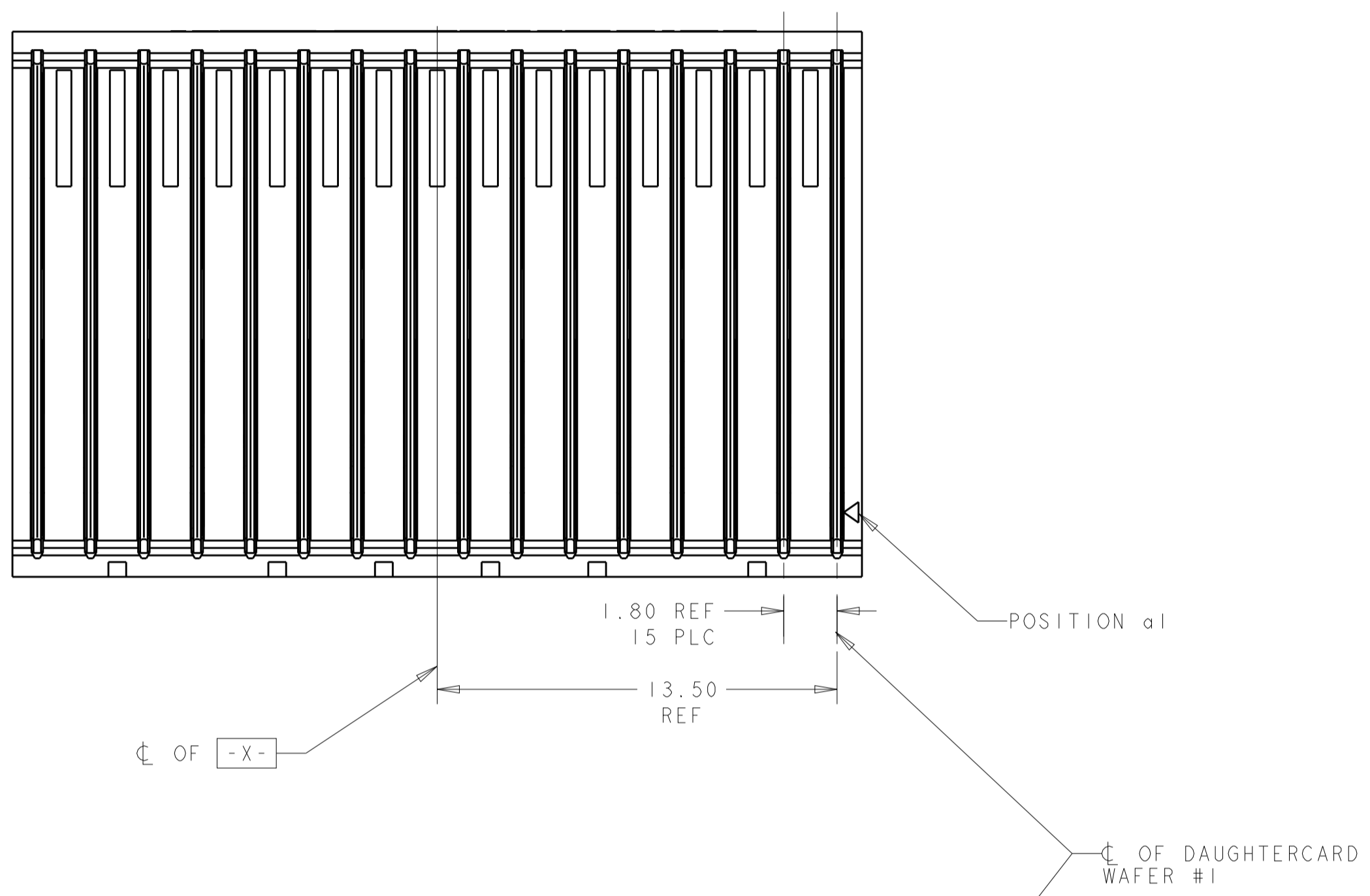
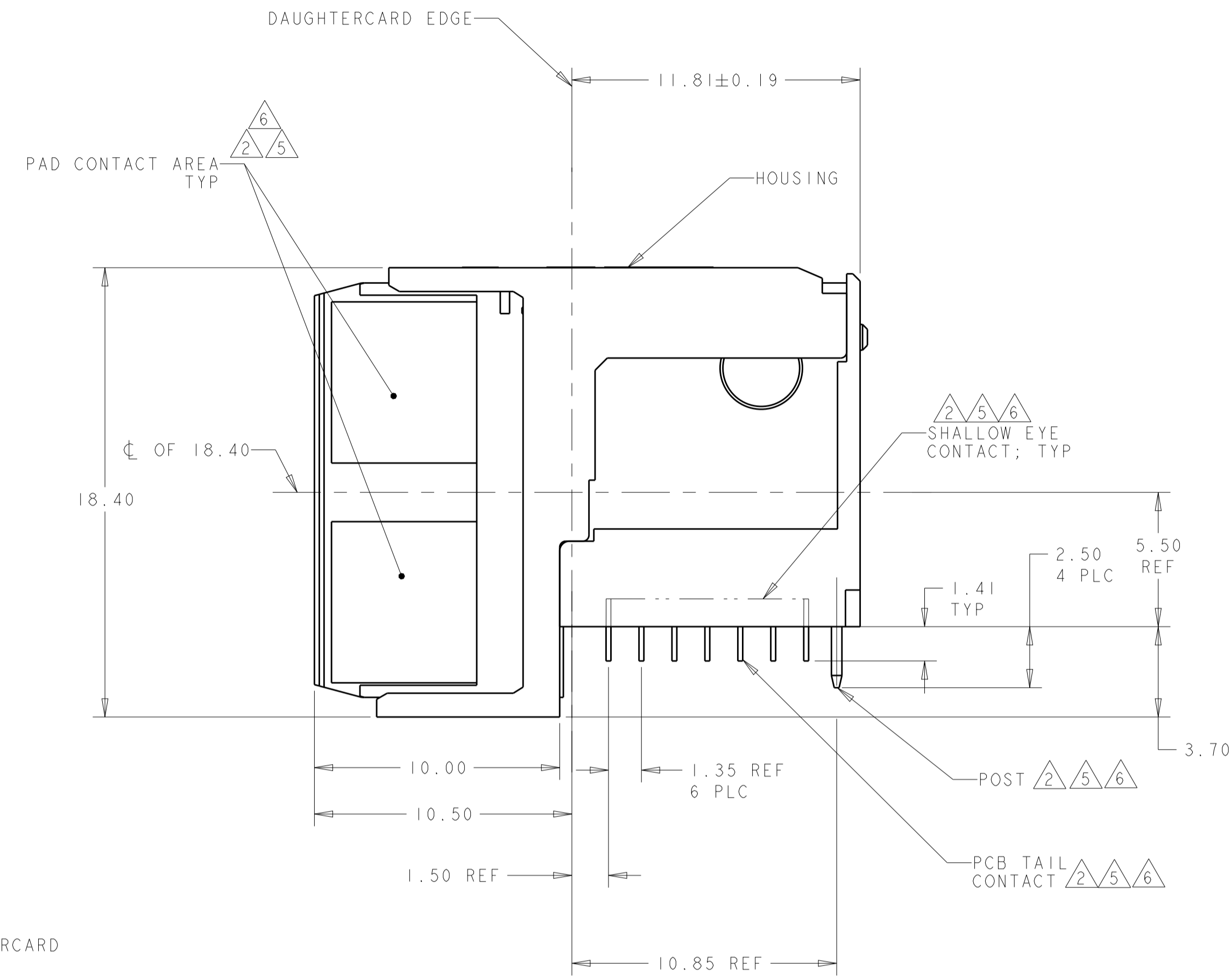


LOC	DIST	REV	DATE	BY	CHK	APPV
-	-	B	8-12-14	CT	DH	

- ① HOUSING: LCP, UL94V0, COLOR: BLACK.  
CONTACT: PHOSPHOR BRONZE.  
POST: BRASS WIRE
- ② PAD CONTACT AREA: 1.27µm MIN GOLD  
SHALLOW EYE CONTACT AREA: 0.76µm MIN GOLD  
PCB TAILS CONTACT: 1.27µm MIN TIN-LEAD (93/7) OVER  
1.27µm MIN NICKEL OVER ALL  
POST: 1.27µm MIN NICKEL PLATED
- ③ PLATED THROUGH HOLE PER 114-13056, FIGURE 4
- ④ SEE TABLE 1 FOR INTERCONNECTIONS TO BACKPLANE CONNECTOR.
- ⑤ PAD CONTACT AREA: 1.27µm MIN GOLD  
SHALLOW EYE CONTACT AREA: 0.76µm MIN GOLD  
PCB TAILS CONTACT: 1.27µm MIN MATTE TIN  
OVER 1.27µm MIN NICKEL OVER ALL  
POST: 1.27µm MIN NICKEL PLATED
- ⑥ PAD CONTACT AREA: 1.27µm MIN GOLD  
SHALLOW EYE CONTACT AREA: 0.76µm MIN GOLD  
PCB TAILS CONTACT: 1.27µm MIN TIN-LEAD (60/40) OVER  
1.27µm MIN NICKEL OVER ALL  
POST: 1.27µm MIN NICKEL PLATED

TYPICAL INTERCONNECTION FOR EACH COLUMN (WAFER):  
1, 2, 3, 4, 5, 6, 7, 8, 9, 10, 11, 12, 13, 14, 15 & 16

CONTACT USAGE	DAUGHTERCARD CONNECTOR PIN	BACKPLANE CONNECTOR PIN
POWER	ax, bx, cx	ax, bx, cx, dx
POWER	ex, fx, gx	fx, gx, hx, ix
Not Connect	dx	ex



⑥	2286663-3
⑤	2286663-2
④	2286663-1
PLATING	PART NO

THIS DRAWING IS A CONTROLLED DOCUMENT.

OWN: C.C. THOMAS 6-10-14  
CHK: D. HOANG 6-10-14  
APPV: D. HOANG 6-10-14

DIMENSIONS: mm

TOLERANCES UNLESS OTHERWISE SPECIFIED:  
0 PLC ±  
1 PLC ±0.5  
2 PLC ±0.13  
3 PLC ±  
4 PLC ±  
ANGLES ±1°

MATERIAL: SEE TABLE

FINISH: SEE TABLE

PRODUCT SPEC: 108-2072  
APPLICATION SPEC: 114-13056

WEIGHT: 10.33g

Customer Drawing

NAME: RIGHT-ANGLE PLUG ASSEMBLY, 7 ROW, CENTER, 20.3mm, MULTIGIG RT 2-R, DAUGHTERCARD CONNECTOR, POWER

SIZE: A100779  
CAGE CODE: 2286663

RESTRICTED TO: -

SCALE: 6:1 SHEET 1 OF 1 REV B