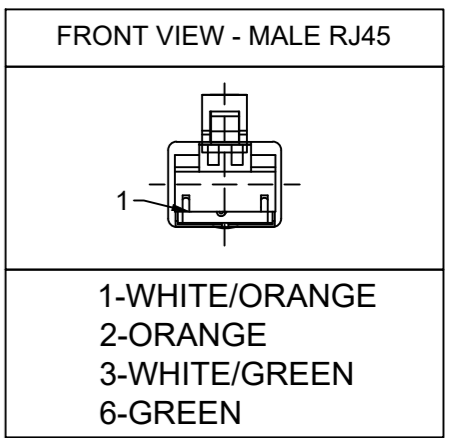
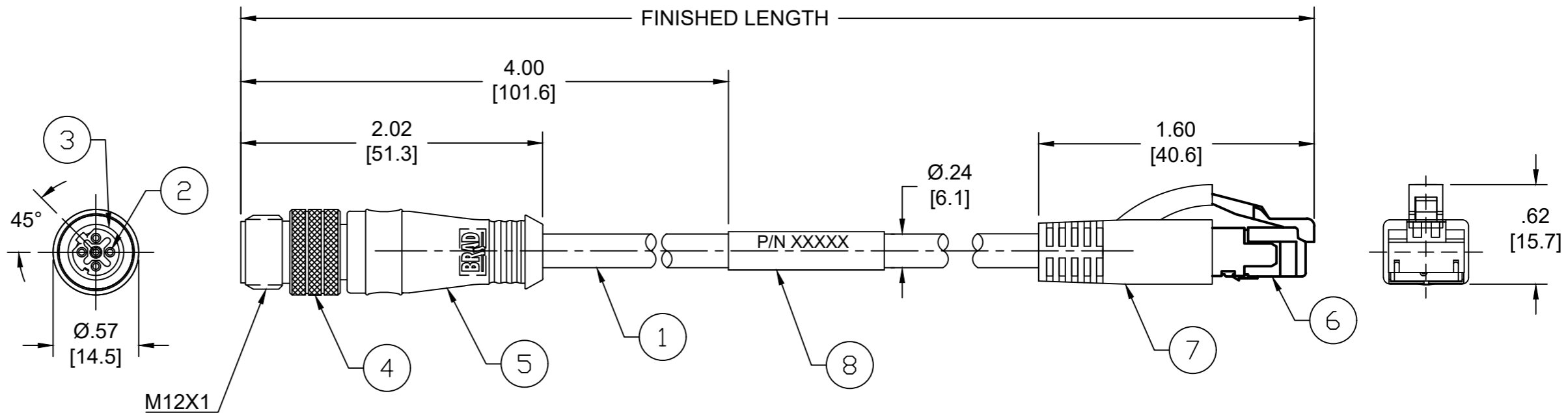




| PART NO | ENGINEERING NO. | FINISHED LENGTH |
|------------|-----------------|-------------------|
| 1300480309 | E16A06004M010 | 1M [3FT 3 IN] |
| 1300480406 | E16A06004M400 | 40M [131FT 3 IN] |
| 1300480377 | E16A06004M850 | 85M [278FT 10 IN] |



- NOTES:
- MATERIAL: SEE TABLE
 - FINISH: SEE TABLE
 - ELECTRICAL:
VOLTAGE: 30V AC/DC
CURRENT: 1.5A
 - TEMP RATING: -20°TO +75°C
 - PROTECTION:
RJ45: IP20 (A2)
M12 CONNECTOR: IP67(WHEN MATED)
 - UL RECOGNIZED FILE: E200650
 - ALL DIMENSIONS ARE FOR REFERENCE UNLESS TOLERANCED OR NOTED OTHERWISE



MECHANICAL CHARACTERISTICS:

| | |
|-----------------|---|
| FLEX LIFE: | (126 CYCLES/MIN @ 20° C) 1 MILLION CYCLE TEST (10X CABLE O.D., MINIMUM RADIUS) 10 MILLION CYCLE TEST (20X CABLE O.D., MINIMUM RADIUS) |
| TORSIONAL FLEX: | (1 LB LOAD, 360°, 71 CYCLES/MIN @ 20° C) 3 MILLION CYCLE TEST |

PART NUMBER LEGEND

E16A06004M005

FINISHED LENGTH
M005 = 0.5 METER
M010 = 1 METER
M100 = 10 METER

CABLE LENGTH TOLERANCES

<.3M [1FT]: +19mm-0 [+.75in-0]
.3 - .9M [1 - 3FT]: +44.5mm-0 [+1.75in-0]
.9 - 1.8M [3 - 6FT]: +55.6mm-0 [+2.19in-0]
1.8 - 3.7M [6 - 12FT]: +88.9mm-0 [+3.50in-0]
3.7 - 7.3M [12 - 24FT]: +165.1mm-0 [+6.50in-0]
7.3-14.6M [24 - 48FT]: +317.5mm-0 [+12.50in-0]
14.6 - 30.5M [48-100FT]: +622.3mm-0 [+24.50in-0]
OVER 30M [100FT] +2% OF FINISHED LENGTH

| ITEM | DESCRIPTION | MATERIAL | FINISH |
|------|-----------------------|---------------|------------------|
| 8 | WRAP LABEL | VINYL | BLACK/WHITE |
| 7 | RJ45 BOOT, HOODED | PVC | BLACK |
| 6 | RJ45 PLUG | POLYCARBONATE | TRANSPARENT |
| 5 | OVERMOLD | PUR | BLACK |
| 4 | COUPLING NUT | BRASS | NICKEL PLATED |
| 3 | INSERT | PUR | BLACK |
| 2 | CONTACT PIN | COPPER ALLOY | GOLD OVER NICKEL |
| 1 | CABLE, ETHERNET, 24-4 | TPE | TEAL |

| | | | | |
|--|---|-----------------|---|--------------------------------|
| FUNCTIONAL SYMBOLS F/A=0 F/C=0 F/P=0 | THIS DRAWING CONTAINS INFORMATION THAT IS PROPRIETARY TO MOLEX ELECTRONIC TECHNOLOGIES, LLC AND SHOULD NOT BE USED WITHOUT WRITTEN PERMISSION | | CURRENT REV DESC: MODIFIED PROTECTION DETAILS | |
| | DIMENSION UNITS | SCALE | IN NOTES | |
| | INCH/MM | NTS | | |
| | GENERAL TOLERANCES (UNLESS SPECIFIED) | | | |
| DIVISIONAL SYMBOLS | 4 PLACES | ±---- | ±---- | EC NO: 789859 |
| | 3 PLACES | ±---- | ±---- | DRWN: ABENJAMINLW 2024/06/12 |
| | 2 PLACES | ±---- | ±---- | CHK'D: PDODDAMANEMY 2024/06/19 |
| | 1 PLACE | ±---- | ±---- | APPR: BWOODMAN 2024/06/21 |
| 0 PLACES | ±---- | ±---- | INITIAL REVISION: | |
| ANGULAR TOL ± ---- ° | THIRD ANGLE PROJECTION | | DRWN: BARDEN 2014/02/19 | |
| DRAFT WHERE APPLICABLE MUST REMAIN WITHIN DIMENSIONS | DRAWING | | APPR: JFMURPHY 2014/03/13 | |
| SERIES | | MATERIAL NUMBER | CUSTOMER | SHEET NUMBER |
| B-SIZE 130048 | | SEE CHART | GENERAL MARKET | 1 OF 1 |

molex

MIC D-CODE / ETHERNET
4P M12 MALE/RJ45 MALE, STRAIGHT
#24-4 TPE HI-FLEX

PRODUCT CUSTOMER DRAWING

DOCUMENT NUMBER: SD-130048-009
DOC TYPE: PSD
DOC PART: 001
REVISION: A2