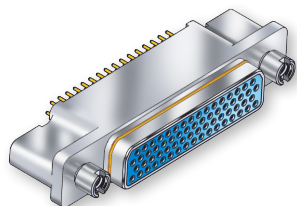


**790-044S**  
**Straight PCB Terminated**  
**Free Standing Plugs, Socket Contacts**  
**How To Order**



**790-044S Straight PCB Free-Standing Plugs**

**SOCKET CONTACTS WITH STRAIGHT PCB TERMINATION**



Free-standing, rugged vertical mount headers feature gold-plated PC tail contacts for thru-hole printed circuit board termination. Contacts are permanently installed and are sealed with epoxy. Shells are aluminum alloy. Threaded board mounting holes and integral standoffs simplify installation. Available in 29 different contact arrangements, these connectors feature size #23 signal contacts along with #16 and #12 power contacts for up to 23 amps current rating. Optional EMI spring improves shell-to-shell conductivity and shielding performance. Stainless steel jackposts are non-removable.

HOW TO ORDER					
Sample Part Number					
790-044S	D-15	MT	E	P	B
Part Number	Shell Size - Insert Arrangements	Shell Finish	EMI Spring	Hardware Option	PC Tail Length
<b>790-044S</b> Plug with Straight Thru-Hole PC Tail Contacts for Termination to Backplanes or Flexible Circuits	See Table 1 for Available Insert Arrangements	<p><b>M</b> Electroless Nickel <i>general purpose applications</i></p> <p><b>MT</b> Nickel-PTFE <i>1000 Hour Grey™ maximum corrosion protection and durability (non-reflective grey)</i></p> <p><b>ZNU</b> Zinc-Nickel with Black Chromate <i>tactical applications (non-reflective black)</i></p> <p>Additional shell finishes are listed on page C-9.</p>	<p><b>E</b> EMI Spring</p> <p><b>N</b> No Spring</p> <p><b>Note:</b> EMI Spring is not compatible with chromate finishes including cadmium and zinc-nickel</p>	<p><b>N</b> No Hardware</p> <p><b>P</b> Female Jackpost</p>	<p><b>A</b> .125 Inch (3.2 mm.)</p> <p><b>B</b> .250 inch (6.4 mm.)</p>

SPECIFICATIONS	
Current Rating	#23 5 AMPS, #16 13 A., #12 23 A.
Dielectric Withstanding Voltage	#23 750 VAC RMS, #12 and #16 1800 VAC RMS
Insulation Resistance	5000 megohms minimum
Operating Temperature	-65° C. to +150° C.
Shock	300 g.
Vibration	20 g.

MATERIALS AND FINISHES	
Shell	Aluminum alloy
Contacts	Copper alloy, 50 microinches gold plated, stainless steel hood
Insulator	Liquid crystal polymer (LCP)
Jackposts	300 series stainless steel
Encapsulant	Epoxy

Dimensions in Inches (millimeters) are subject to change without notice.

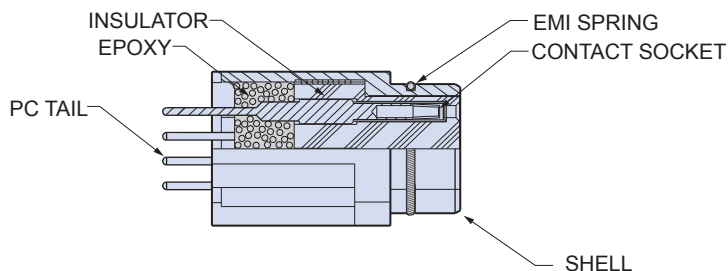


# 790-044S Straight PCB Terminated Free Standing Plugs, Socket Contacts How To Order

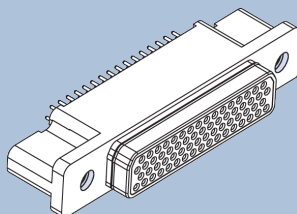
**Table 1 Contact Arrangements**

Layout	Contact Quantity			Face View
	#23	#16	#12	
A-5	5			
B-2P2	2			
B-9	9			
C-13	13			
D-15	15			
D-3P3	3			
D-7P2	5	2		
E-11P2	9	2		
E-19	19			
E-7P3	4	3		
F-15P2	13	2		
F-23	23			
F-5P5	5			
G-33	33			
H-10P4	6	4		
H-29P7	22	7		
H-36P2	34	2		
H-54P2	52	2		
H-5P5		5		
H-66	66			
J-17P4	13	4		
J-25P2	23	2		
J-33	33			
J-7P7	7			
K-27P4	23	4		
K-35P2	33	2		
K-43	43			
K-9P9	9			
L-6P6		6		
L-78	78			
M-102	102			

**CROSS-SECTIONAL VIEW OF 790-044S**



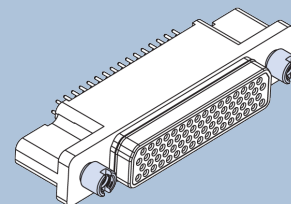
**TABLE 2 HARDWARE OPTION**



**N**

**No Mating Hardware**

Connector is supplied with threaded holes. Shell size M has #8-32 threads, shell sizes H and L have #6-32 threads, other sizes have #4-40 threads. Thread depth is .150" (3.8).



**P**

**Jackposts**

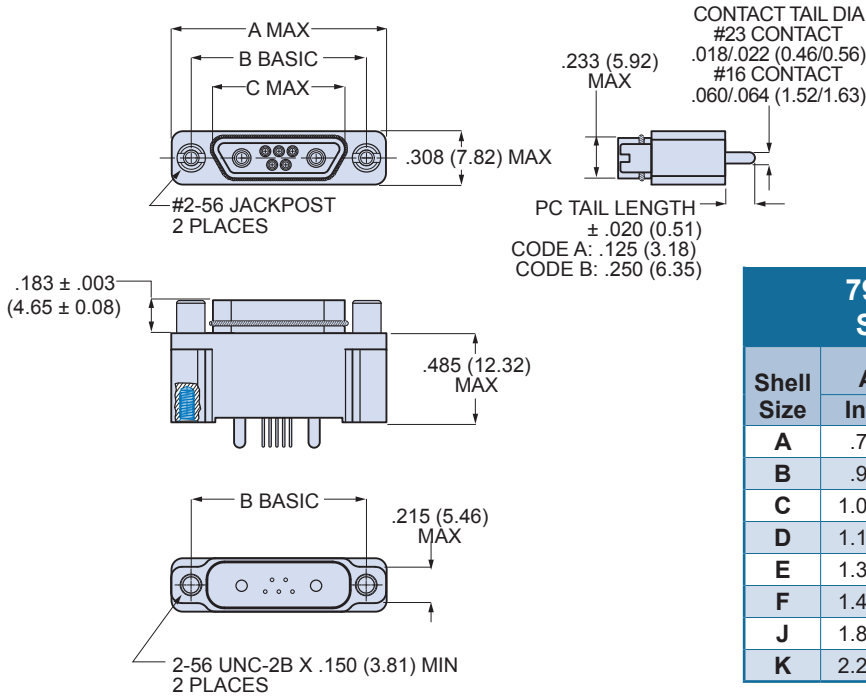
Connector is supplied with non-removable stainless steel jackposts. Shell size M has #6-32 threads, shell sizes H and L have #4-40 UNC thread, other sizes have #2-56 thread.

Dimensions in Inches (millimeters) are subject to change without notice.

**790-044S**  
**Straight PCB Terminated**  
**Free Standing Plugs, Socket Contacts**  
**Dimensions**

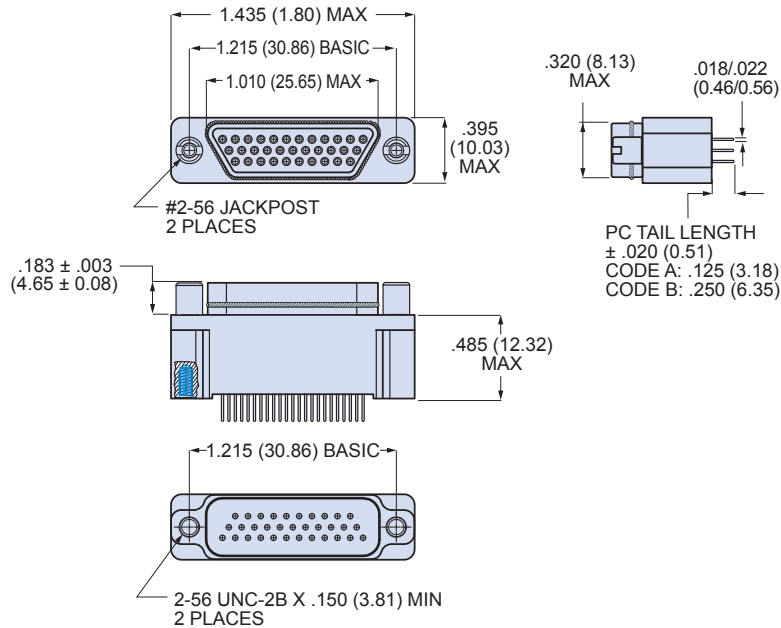


**790-044S Shell Size A, B, C, D, E, F, J and K Dimensions**



790-044S DIMENSIONS SHELL SIZE A-G, J, K						
Shell Size	A Max.		B Basic		C Max.	
	In.	mm.	In.	mm.	In.	mm.
<b>A</b>	.785	19.94	.565	14.35	.335	8.51
<b>B</b>	.935	23.75	.715	18.16	.485	12.32
<b>C</b>	1.085	27.56	.865	21.97	.635	16.13
<b>D</b>	1.185	30.10	.965	24.51	.735	18.67
<b>E</b>	1.335	33.91	1.115	28.32	.885	22.48
<b>F</b>	1.485	37.72	1.265	32.13	1.035	26.29
<b>J</b>	1.845	46.86	1.615	41.02	1.390	35.61
<b>K</b>	2.240	56.90	2.015	51.18	1.795	45.59

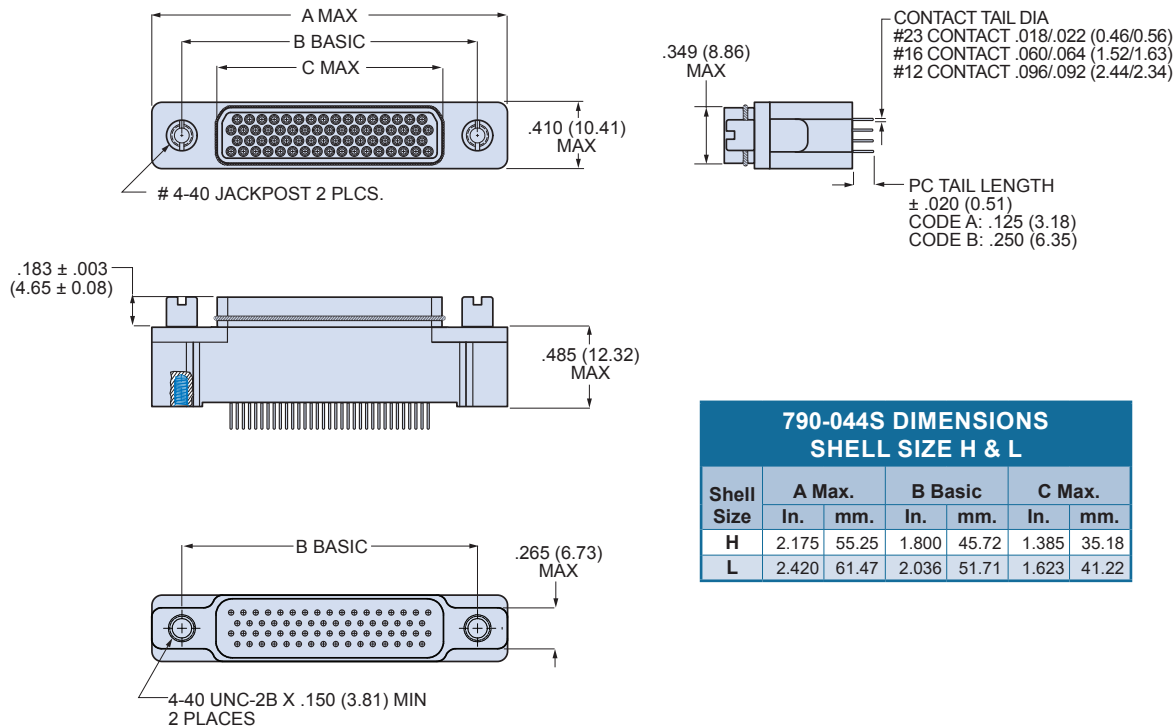
**790-044S Shell Size G Dimensions**



Dimensions in Inches (millimeters) are subject to change without notice.



## 790-044S Shell Size H & L Dimensions



## 790-044S Shell Size M Dimensions

