

SNAP ACTION SWITCHES

Series KAP 16

SUB-MINIATURE 10.1 AMP DOUBLE-BREAK SNAP ACTION SWITCHES

Similar to Series 16 switches with improved materials and performance. Ideal for critical applications where long life and reliability are needed.

APPLICATIONS

- Lift truck seat switch
- Aircraft contactor
- Sump pump float switch
- Aircraft actuator
- Valve actuator
- Industrial equipment and machinery
- Office equipment
- Medical equipment



ACTUAL SIZE

KEY FEATURES:

- Enhanced gold contacts for high or low power applications
- Thermoplastic case sealed to prevent flux intrusion
- Meets MIL-PRF-8805 requirements
- Roller lever, lever, short roller lever and bushing mount actuator are available.

ORDERING INFORMATION:

Switches

Part Number	Contacts	Terminals
16-110	Enhanced Gold	End
16-111	Silver	End
16-410	Enhanced Gold	Bottom

Actuator (see page 69 for additional specifications)

Part Number	Switch Series	Oper. Force	Release Force	Pretravel	Overtravel	Movement Diff.
76-1200 Roller Lever	16	4 oz max	1 oz min	.125 max	.025 min	.045 ± .011
76-1210 Lever	16	2.5 oz max	1 oz min	.125 max	.025 min	.047 ± .013
76-1220 Short Roller Lever	16	5 + 3 oz - 2 oz min	2 oz min	.050 max	.023 min	.020 ± .005
76-22604 Bushing Mount	16	5 oz	—	.050 max	.156 min	—

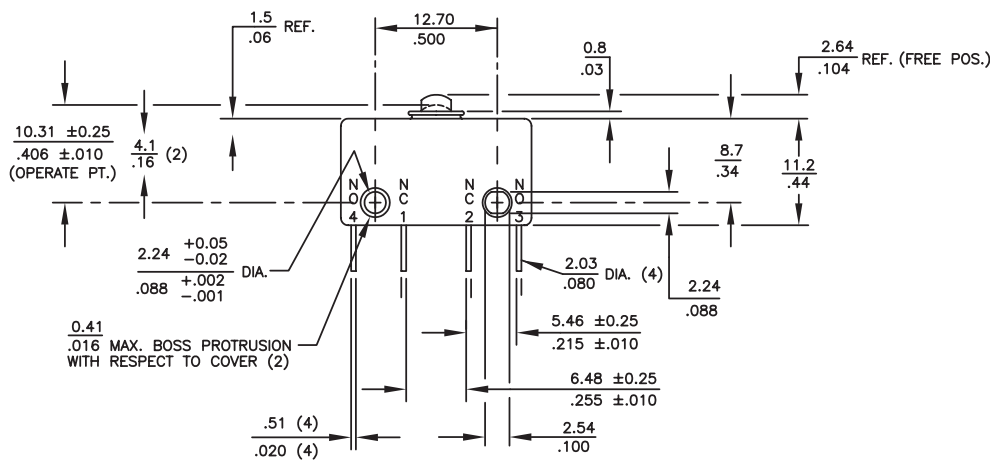
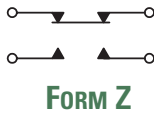
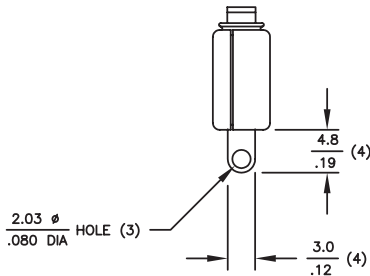
STANDARDS / AGENCY / RATINGS:



SERIES KAP 16: SUB-MINIATURE 10.1 AMP DOUBLE-BREAK

SNAP ACTION SWITCHES

BOTTOM SOLDER



MECHANICAL / ELECTRICAL CHARACTERISTICS:

Pretravel:
 0.050 inches max

Overtravel:
 0.012 inches min

Operating Force:
 5 oz + 3 oz - 2 oz

Release Force:
 2 oz min

Movement Differential:
 0.020 inches ± 0.005

Operating Point:
 0.406 inches ± 0.010
 (from mounting hole centers)

Circuit:
 SPDT-DB (Form Z)

Temperature Index:
 -65°C to +125°C
 (-85°F to +257°F)

Electrical Rating @ 28VDC:

		Sea Level	70,000 Feet
Form Z 2 Circuit	Res	10A	10A
	Ind*	5A	2A
	Lamp	3A	—

*L/R = .026

END SOLDER

