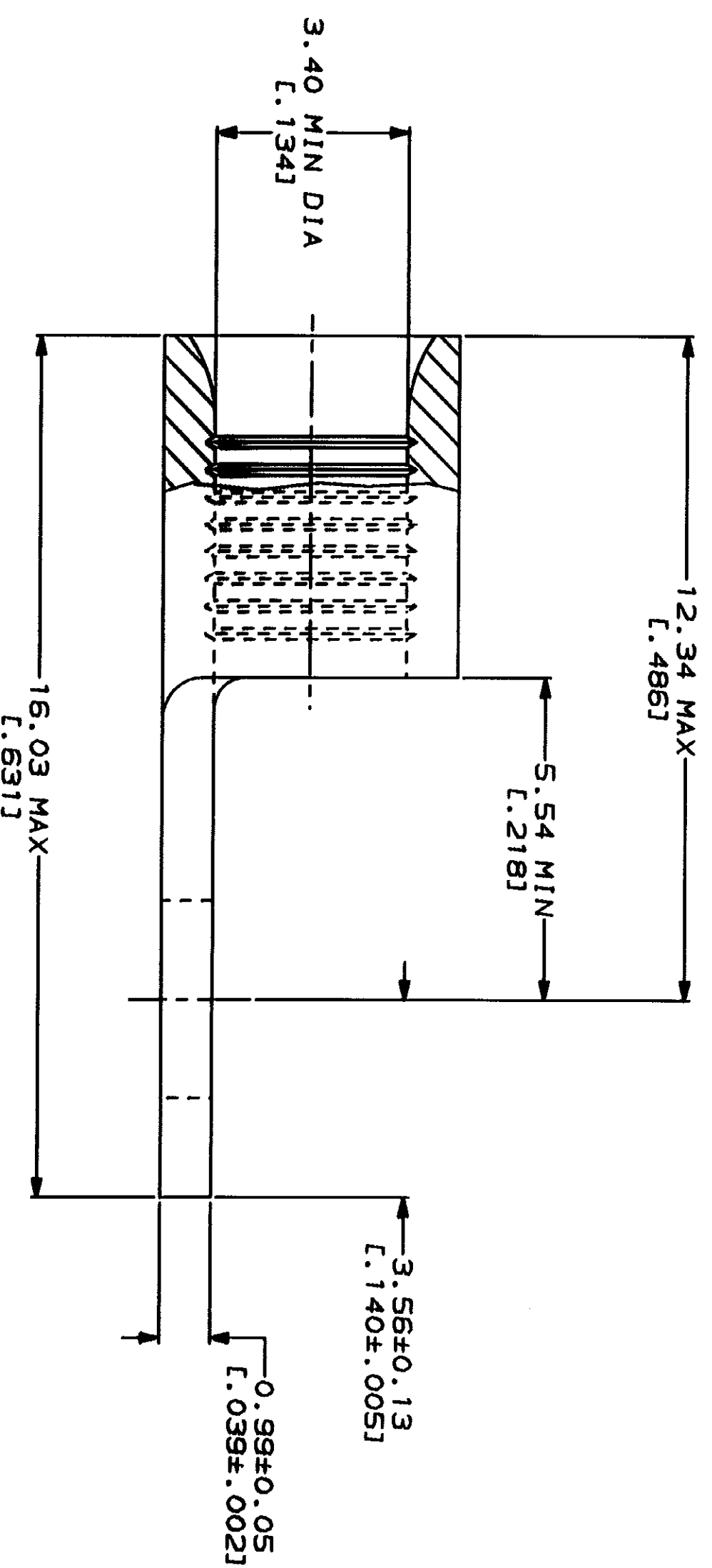


WIRE RANGE	E1328B Listed
12-10 AWG STRANDED	12-10 AWG STRANDED
● LR7189 Certified	MILITARY P/N AND CLASS
NOT CERTIFIED	NOT APPLICABLE



33426  
 PART NO

AMP INCORPORATED  
 CUSTOMER SERVICE SYSTEMS

MAX RECOMMENDED OPERATING TEMPERATURE: 170°C MAX  
 VOLTAGE RATING: NOT APPLICABLE  
 WIRE CROSS SECTIONAL AREA RANGE: 2.62-6.64mm<sup>2</sup> [5,180-13,100] CIR MILS STRANDED

DO NOT SCALE PRINT.  
 UNLESS SPECIFIED DIMENSIONS IN MILLIMETERS - TOLERANCES ON: 1. 2 P.L.C DEC ± . 3 P.L.C DEC ± . ANGLES

DR 1-29-93 TA BRINKMAN  
 CHK 1-29-93 DA PATTERSON  
 APPD 1-29-93 DE MILLER  
 APPD 1-29-93 JL NECKLEY  
 PRODUCT SPEC

AMP Incorporated  
 Harrisburg, PA 17125-3608

FOR ADDITIONAL PRODUCT INFORMATION OR COPIES OF DRAWINGS AND TECHNICAL DOCUMENTS  
 1-800-522-6752  
 PRODUCT INFORMATION CENTER

FOR APPLICATION TOOLING INFORMATION  
 1-800-722-1111  
 TOOLING ASSISTANCE CENTER

FINISH TIN PLATE  
 0.0025± [L.000100] MIN THK PER MIL-T-10727

APPLICATOR SPEC

TERMINAL, RECTANGULAR TONGUE, BUDGET

FOR ORDER ENTRY  
 1-800-526-5142

THIS DRAWING IS A CONTROLLED DOCUMENT FOR AMP INCORPORATED. IT IS SUBJECT TO CHANGE WITHOUT NOTICE. CONTACT THE LATEST REVISION SHOULD BE CONSULTED FOR THE LATEST REVISION.

SCALE 10:1

SIZE CAGE CODE 00779 DRAWING NO 33426

SHEET 1 OF 1