

# 61013-2 ✓ ACTIVE

TE Internal #: 61013-2

Pin, Mating Pin Diameter 2.77 mm [.109 in], 18 – 14 AWG Wire Size, .8 – 2 mm<sup>2</sup> Wire Size, 1624 – 4106 CMA Wire Size, Crimp Wire Pins, Tabs & Ferrules

[View on TE.com >](#)



Terminals & Splices > Crimp Wire Pins, Tabs & Ferrules



Crimp Wire Terminal Type: Pin

Mating Pin Diameter: 2.77 mm [.109 in]

Wire Size: 1624 – 4106 CMA

## Features

### Product Type Features

Compatible With Discrete Wire Type Solid, Stranded

### Configuration Features

Compatible With Wire & Cable Type Discrete Wire

### Contact Features

Crimp Wire Terminal Type	Pin
Mating Pin Diameter	2.77 mm [.109 in]
Barrel Type	Open
Terminal Plating Material	Tin
Contact Shape & Form	Round
Terminal Orientation	Straight

### Mechanical Attachment

Wire Insulation Support Without

### Dimensions

Wire Size	1624 – 4106 CMA
Barrel Inside Diameter	1.65 mm [.065 in]
Terminal Material Thickness	.4 mm [.016 in]

Overall Product Length	23.5 mm[.925 in]
------------------------	------------------

### Usage Conditions

Insulation Option	Uninsulated
-------------------	-------------

### Packaging Features

Packaging Quantity	7500
--------------------	------

Packaging Method	Reel
------------------	------

### Product Compliance

[For compliance documentation, visit the product page on TE.com>](#)

EU RoHS Directive 2011/65/EU	Compliant
------------------------------	-----------

EU ELV Directive 2000/53/EC	Compliant
-----------------------------	-----------

China RoHS 2 Directive MIIT Order No 32, 2016	No Restricted Materials Above Threshold
---	---

EU REACH Regulation (EC) No. 1907/2006	Current ECHA Candidate List: JUNE 2024 (241) Candidate List Declared Against: JUNE 2024 (241) Does not contain REACH SVHC
--	---

Halogen Content	Low Halogen - Br, Cl, F, I < 900 ppm per homogenous material. Also BFR/CFR/PVC Free
-----------------	---

Solder Process Capability	Not applicable for solder process capability
---------------------------	--

#### Product Compliance Disclaimer

This information is provided based on reasonable inquiry of our suppliers and represents our current actual knowledge based on the information they provided. This information is subject to change. The part numbers that TE has identified as EU RoHS compliant have a maximum concentration of 0.1% by weight in homogenous materials for lead, hexavalent chromium, mercury, PBB, PBDE, DBP, BBP, DEHP, DIBP, and 0.01% for cadmium, or qualify for an exemption to these limits as defined in the Annexes of Directive 2011/65/EU (RoHS2). Finished electrical and electronic equipment products will be CE marked as required by Directive 2011/65/EU. Components may not be CE marked. Additionally, the part numbers that TE has identified as EU ELV compliant have a maximum concentration of 0.1% by weight in homogenous materials for lead, hexavalent chromium, and mercury, and 0.01% for cadmium, or qualify for an exemption to these limits as defined in the Annexes of Directive 2000/53/EC (ELV). Regarding the REACH Regulation, the information TE provides on SVHC in articles for this part number is based on the latest European Chemicals Agency (ECHA) 'Guidance on requirements for substances in articles' posted at this URL: <https://echa.europa.eu/guidance-documents/guidance-on-reach>

## Compatible Parts



TE Part # 62074-1  
PIN .125 (3.17 MM) 24-20 AWG 0.42 BR

TE Part # 62616-1  
PIN .109 (2.77MM) 18-14 AWG 016BR

TE Part # 62358-1  
PIN .080 (2.03 MM) 24-20 AWG TPBR

TE Part # 62820-1  
PIN 093 CRIMP TAB 22-16 AWG PTPBR

TE Part # 60115-1  
PIN 125 REC 22-20 AWG BR

TE Part # 1217142-1  
SHUR PLUG 180 12-8 AWG TPBR

TE Part # 60115-4  
PIN 125 RECEPTACLE 22-20 AWG BR

TE Part # 61674-1  
PIN .109 .085 X .035 FLAT WIRE BR

TE Part # 62505-1  
PIN 130 22-18 AWG .0157 X 1.020 BR

TE Part # 1742377-2  
PIN .080 DIA 30-26 AWG TPBR

TE Part # 2150677-2  
OCEAN\_2.0\_APPLICATOR-E-100F-REA

TE Part # 7-2150677-7  
OCEAN\_2.0\_SPARE\_PART\_KIT-100F

TE Part # 7-2150957-7  
OC-100F-CRIMPTOOLINGKIT

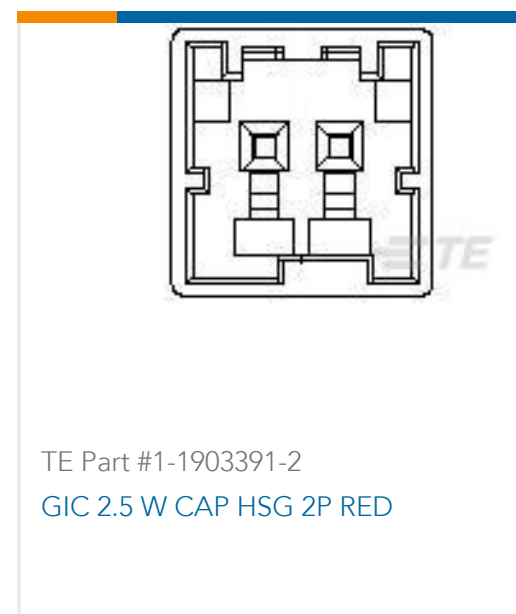
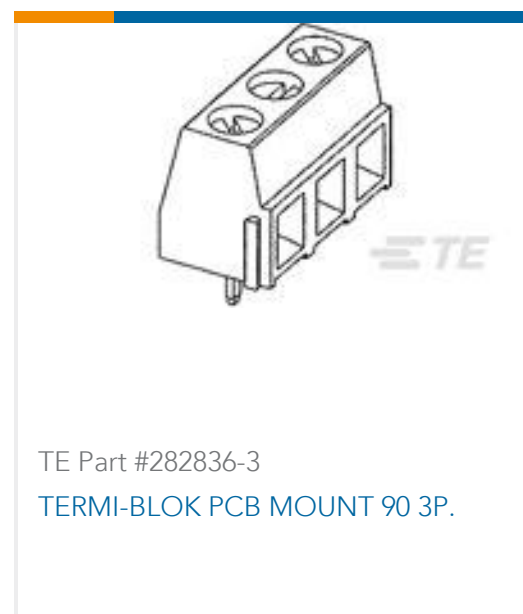
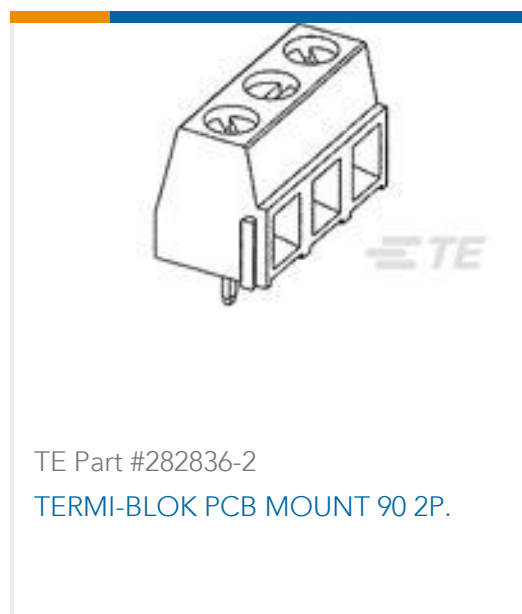
### Customers Also Bought

TE Part #794272-1  
03P UMNL WIRE SEAL

TE Part #2-520128-2  
ULTRA-FAST 250 ASY REC 22-18 AWG TPBR

TE Part #42692-2  
250 FASTON REC 18-14 AWG TPBR

TE Part #61177-2  
250 FASTON FLAG REC 18-12 AWG TPBR



## Documents

### Product Drawings

[PIN .109 \(2.77 MM\) 18-14 AWG TPBR](#)

English

### CAD Files

[3D PDF](#)

3D

Customer View Model

[ENG\\_CVM\\_CVM\\_61013-2\\_L.2d\\_dxf.zip](#)

English

Customer View Model

[ENG\\_CVM\\_CVM\\_61013-2\\_L.3d\\_igs.zip](#)

English

Customer View Model

[ENG\\_CVM\\_CVM\\_61013-2\\_L.3d\\_stp.zip](#)

English

By downloading the CAD file I accept and agree to the [Terms and Conditions](#) of use.

### Product Specifications

[EB\\*\\*General Application Specification for Open Barrel Terminals](#)

English

[Application Specification](#)

English