

# Product data sheet

## Miniature connectors



Product description **M16 Female panel mount connector, Contacts: 14 (14-b), unshielded, THT, IP40, front fastened**

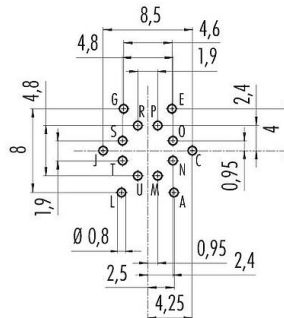
Area **series 680**

Part no. **09 0054 90 14**

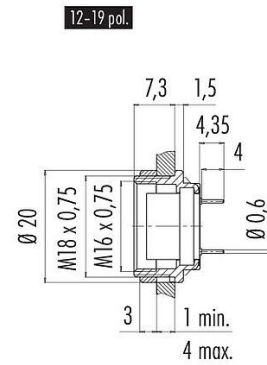
### Illustration



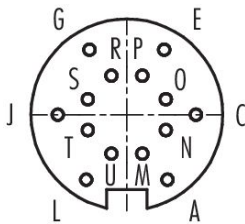
### Conductor layout



### Scale drawing



### Contact arrangement (Plug-in side)



You can find the component part drawing and assembly instructions on the next page.

### Technical data

#### General features

Part no.	<b>09 0054 90 14</b>
Connector design	Female panel mount connector
Type standard	DIN EN 61076-2-106
Version	Connector socket straight

# Product data sheet

## Miniature connectors



Product description	<b>M16 Female panel mount connector, Contacts: 14 (14-b), unshielded, THT, IP40, front fastened</b>
Area	<b>series 680</b>
Part no.	<b>09 0054 90 14</b>

Connector locking system	screw
Termination	THT
Degree of protection	IP40
Temperature range from/to	-40 °C / 85 °C
Mechanical operation	> 500 Mating cycles
Weight (g)	8.98
Customs tariff number	85369010
Country of Origin	DE

### Electrical parameters

Rated voltage	60 V
Rated impulse voltage	500 V
Rated current	3,0 A
Insulation resistance	$\geq 10^{10} \Omega$
Pollution degree	1
Overvoltage category	I
Insulating material group	III
EMC compliance	unshielded

### Material

Housing material	Zinc die-cast nickel-plated
Contact body material	PBT (UL94 V-0)
Contact material	CuSn (bronze)
Contact plating	Au (gold)
REACH SVHC	CAS 7439-92-1 (Lead)
SCIP number	5ba8e165-f0d4-4cb1-b0e3-11f3bb11e6c5

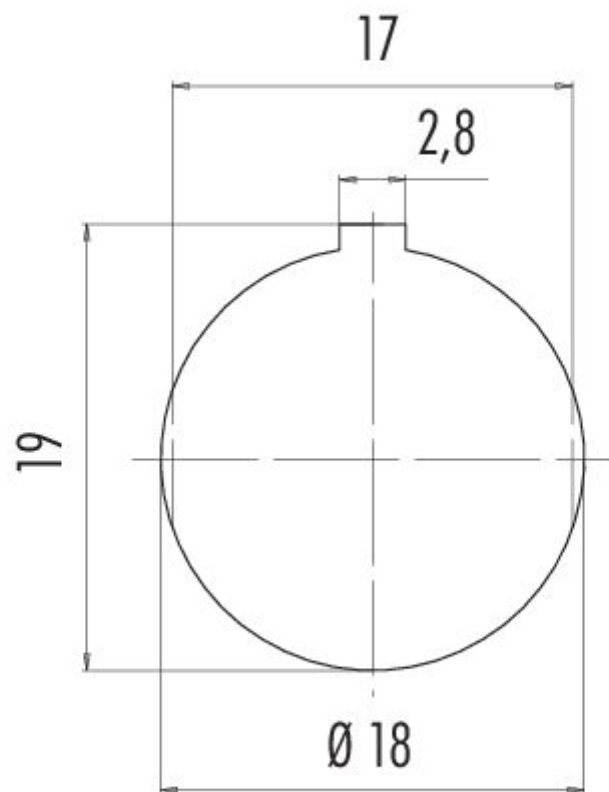
### Classifications

eCl@ss 11.1	27-44-01-09
ETIM 9.0	EC003569

**Product data sheet**  
**Miniature connectors**

Product description	<b>M16 Female panel mount connector, Contacts: 14 (14-b), unshielded, THT, IP40, front fastened</b>
Area	<b>series 680</b>
Part no.	<b>09 0054 90 14</b>

**Assembly instructions / Panel cut-out**



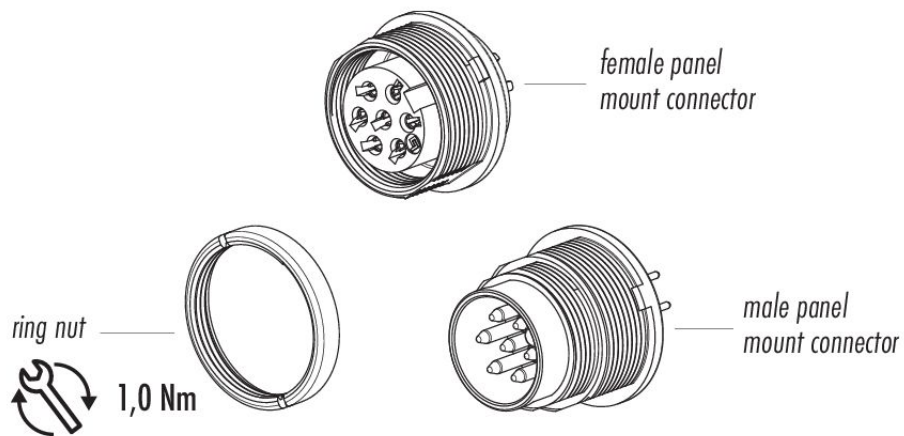
# Product data sheet

## Miniature connectors



Product description	<b>M16 Female panel mount connector, Contacts: 14 (14-b), unshielded, THT, IP40, front fastened</b>
Area	<b>series 680</b>
Part no.	<b>09 0054 90 14</b>

### Component part drawing



Product description	<b>M16 Female panel mount connector, Contacts: 14 (14-b), unshielded, THT, IP40, front fastened</b>
Area	<b>series 680</b>
Part no.	<b>09 0054 90 14</b>

## Security notices

The connector must not be plugged or unplugged under load. Non-observance and improper use can result in personal injury.

The connectors have been developed for applications in plant engineering, control and electrical equipment construction. The user is responsible for checking whether the connectors can also be used in other areas of application.

Connectors which are used in circuits with voltages dangerous to the touch may only be installed and used by, or under the supervision of, persons with electrical engineering training, taking into account the applicable regulations and standards.

The user must take suitable safety precautions to ensure that the connector cannot be accidentally disconnected.

The plug connector is not suitable for mains voltages Please observe the pollution degree and the overvoltage category. For further information, please refer to the download center "Technical Information".

To lock the cable connector with the device connector, the threaded ring is tightened "hand-tight" (approx. 60 cNm).