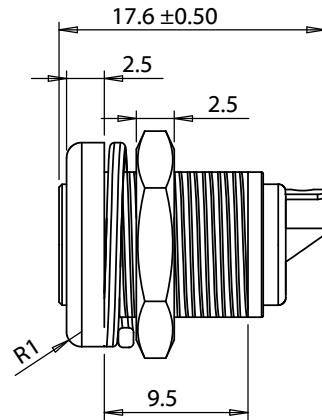


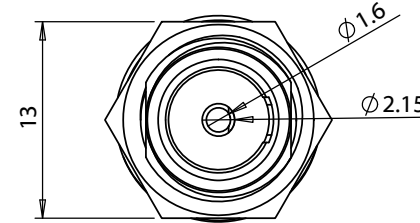
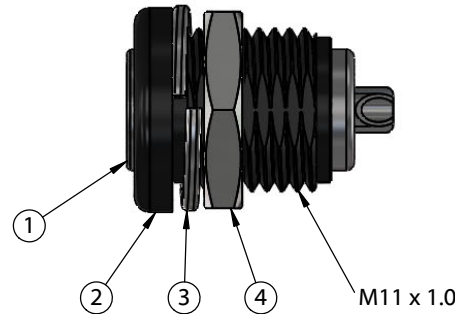
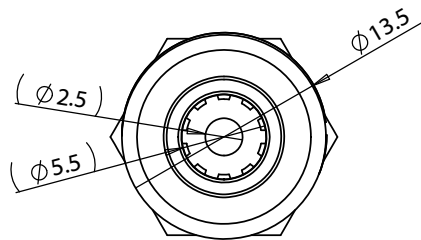
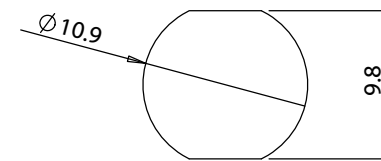
| ITEM NO. | PART NUMBER | DESCRIPTION  | QTY. | COMPONENT NOTES    |
|----------|-------------|--|------|--------------------|
| 1        | 50-00543    | Connector, dc jack, 5.5x2.5x17.6 mm, molding style, spring contacts, nickel plated, 105° C | 1    |                    |
| 2        | 24-00287    | Overmold, dc jack, 13.5x14 mm, panel mount   | 1    | Nylon 94V-0, black |
| 3        | 56-00001    | Hardware, washer, lock, 14x11.1x1.1 mm, SPCC, nickel plated                                | 1    |                    |
| 4        | 56-00000    | Hardware, nut, hex, 13x2.5 mm, M11x1.0, brass, nickel plated                               | 1    |                    |



**Installation Details**

Panel thickness: 1.5 - 4.5

Recommended panel cutout:



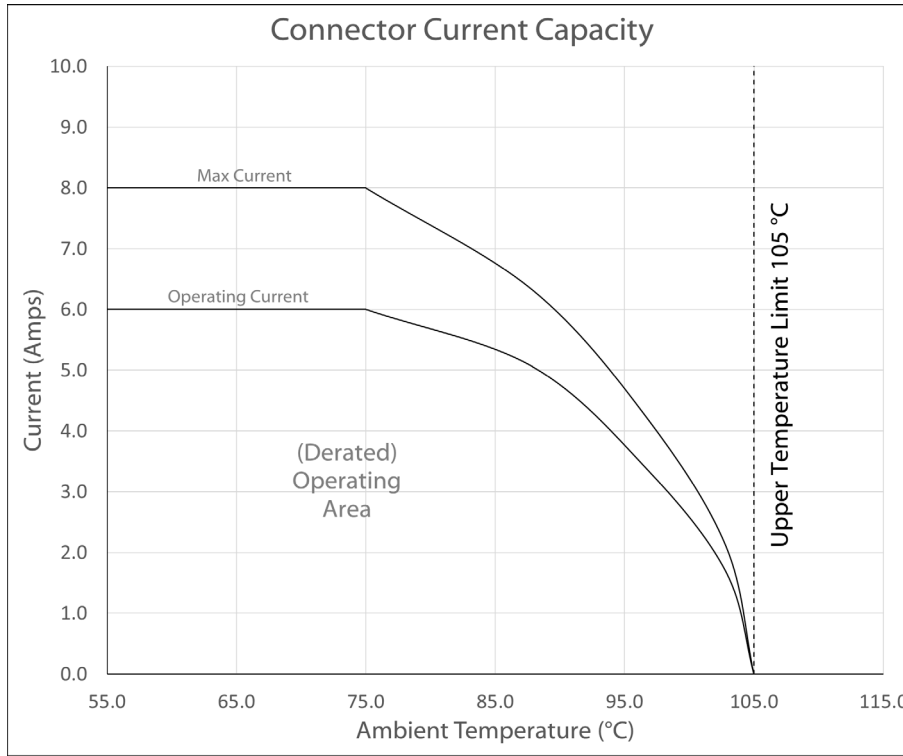
|           |            |                           |  |   |  |
|-----------|------------|---------------------------|--|---|--|
| Revision: | Date:      | Description:              | Prepared:  | Notes:  | <h1>TENSILITY</h1> <p>tel 1.541.323.3228 800 877.670.7118<br/>fax 1.541.323.4202 web tensility.com</p> |
| A         | 10/30/2018 | Initial release           |  | RoHS compliant  |  |
| A1        | 12/13/2018 | Updated overmold material | Verified:  | Function test: no open, no short circuit, no intermittent   |  |
|           |            |                           | Dimensions are in millimeters.<br>Tolerances:<br>X: ± 0.3 mm<br>X.X: ± 0.1 mm<br>X.XX: ± 0.05 mm | Description:<br>Connector, dc jack, 5.5x2.5xL17.6 mm, panel mount, threaded, nut and washer, 105 °C |  |
|           |            |                           |  | Size: A   | Part number: 54-00152  |
|           |            |                           |  | Scale: 2:1  | Sheet 1 of 2   |

**Ratings**

Maximum Operating Voltage: 48 Vdc  
 Maximum Operating Current: 6.0 A

**Operating Temperature Range**

-25° to 105 °C, relative humidity of 85% or less



Testing based on IEC 60512-5-2. Max current curve generated with isolated test article under controlled environmental conditions, and does not take into account external factors such as housings, mating cables, or other circuitry. Operating current curve (derated by 20% of maximum values) accounts for external factors, and manufacturing variation.

|           |            |                           |  |   |   |
|-----------|------------|---------------------------|--|---|---|
| Revision: | Date:      | Description:              | Prepared:  | Notes:  | <h1>TENSILITY</h1> <p>tel 1.541.323.3228 800 877.670.7118<br/>                 fax 1.541.323.4202 web tensility.com</p> |
| A         | 10/30/2018 | Initial release           | Verified:  | RoHS compliant  |   |
| A1        | 12/13/2018 | Updated overmold material | Dimensions are in millimeters.<br>Tolerances:<br>X: ± 0.3 mm<br>X.X: ± 0.1 mm<br>X.XX: ± 0.05 mm | Function test: no open, no short circuit, no intermittent   | Size: A   |
|           |            |                           |  | Description:<br>Connector, dc jack, 5.5x2.5xL17.6 mm, panel mount, threaded, nut and washer, 105 °C | Part number:<br><b>54-00152</b>   |
|           |            |                           |  |   | Scale: 2:1  |
|           |            |                           |  |   |   |
|           |            |                           |  |   | Sheet 2 of 2  |