

# Lock Ring M12x0.5

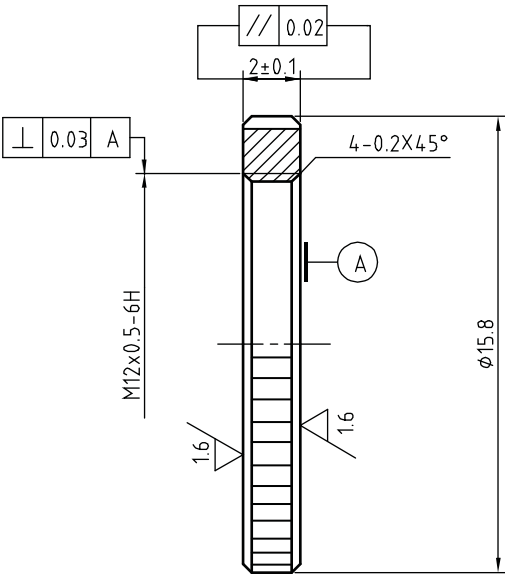


**Order Number**  
**2000035198**

### Key Features

- Lock ring M12x0.5 female thread for S-mount lenses
- Made of black anodized aluminum with knurled surface
- Available as spare part, one lock ring is enclosed with each S-mount lens

Technical Specifications	
Material	Aluminum
Height	2 mm
Diameter	15.8 mm
Thread	M12x0.5-6H
Color	Black
Weight	0.5 g



(Dimensions in mm)